

# PL2303GS USB to Full UART IC

## Single-chip USB to Asynchronous Serial Data Interface

### USB Interface

- Fully Compliant with USB 2.0 specification (Full-Speed Mode).
- UHCI/OHCI (USB 1.1), EHCI (USB 2.0), xHCI (USB 3.1) Host Controller Compatible.
- Provides royalty-free USB to Virtual Com Port (VCP) drivers for Windows, Mac, Linux, and Android.
- Highly integrated USB 1.1 FS Transceiver. Integrated termination resistors and pull-up resistor to reduce PCB external components.
- Supports 256-byte OTPROM (One-Time Programmable ROM) for USB device descriptors and GPIO custom configuration. OTPROM can be programmed directly through USB port.
- Each IC has unique ID (for Serial Number).
- Supports bus-power, self-power and high-power USB device configuration.
- Supports Windows USB Selective Suspend (Remote Wakeup enabled).
- Supports VBUS input detect function to attach USB host after VBUS is detected.<sup>1</sup>
- Supports 3.3V VBUS voltage operation.

### GPIO Interface

- Versatile GPIO functions and routing logic provides easy to use multi-I/O functions.
- Configurable I/O pin output driving strength.
- Total 9 General Purpose I/O (GPIO) pins can be used after configured. GPIO pins are shared with UART pins.
- Optional Clock Output to external MCU.<sup>1</sup>

### UART Interface

- Supports Serial UART Interface:
  - RS232, RS422, RS485
  - Flexible baud rate support up to 12Mbps
  - 5, 6, 7 or 8 data bits
  - Odd, Even, Mark, Space, None parity mode
  - One, one and a half, or two stop bits
  - Hardware Flow Control (CTS/RTS and/or DSR/DTR)
  - Software Flow Control (XON/XOFF)
  - Configurable Remote Wakeup Pin
- 1024-byte bi-directional data FIFO buffers (768-byte receive/256-byte transmit) for faster data throughput. Configurable in OTPROM.
- Configurable Transmit and Receive LED pins.<sup>1</sup>
- Suspend Pin control for RS232 transceiver.
- UART inverted signal configurable option.

### Battery Charger Detection

- Supports Battery Charger (BC1.2) detection to enable fast charging of batteries.<sup>1</sup>

### Miscellaneous

- Integrated self-generated precise clock generator (No external crystal required).
- Integrated Power-on-Reset (POR) circuit.
- Integrated 100mA 5V to 3.3V regulator that can support external components within the limit.
- Low operating power and USB suspend current.
- Wide I/O voltage range (1.8V/2.5V/3.3V/5V).
- -40°C to 85°C Operating Temperature.
- Available in 16-pin SSOP packages (RoHS compliant and Pb-free Green Compound).

## 1. Product Applications

- Single-chip upgrade solution for Legacy RS232 devices to USB interface
- USB to RS232/RS422/RS485 interface converters/cables/dongles/adapters
- MCU-based devices to USB host interface
- Point-of-Sale (POS) Terminals/Printers/Pole Displays
- USB Barcode/Smart Card Readers
- PC I/O Docking Station/Port Replicators
- Healthcare/Medical USB Interface Data Transfer Cable
- Serial-over-IP Wireless Solution
- Cellular/PDA USB Interface Data Transfer Cable
- GPS/Navigation USB Interface
- Industrial / Instrumentation / Automation Control USB Interface
- USB Modem / Wireless / Zigbee USB Interface
- Set-Top Box (STB) / Home Gateway USB Interface
- Battery Charger Detection for high-current and quick charging of batteries.

## 2. Royalty-Free Driver Support

- Windows 10, 8, 7, Vista, XP, 2000 (Microsoft Certified WHQL Drivers)
  - Windows Update Driver installation available in Windows 7 and above (32/64-bit)
- Windows Server 2003, 2008, 2008 R2, 2012, 2016
- Windows Embedded Industry, Point-of-Service (WEPOS), and POSReady
- Windows Embedded Compact, Windows Embedded CE, Windows CE
- Mac OS X
- Linux OS
- Android 3.2 and above

## 3. Ordering Information

Chip Product Name	Package Type	Ordering Part Number	MPQ
PL2303GS	16-pin SSOP	PL2303G3ZGG7P5	100pcs / tube
		PL2303G3ZGG8P5	2500pcs / reel

## 4. Block Diagram

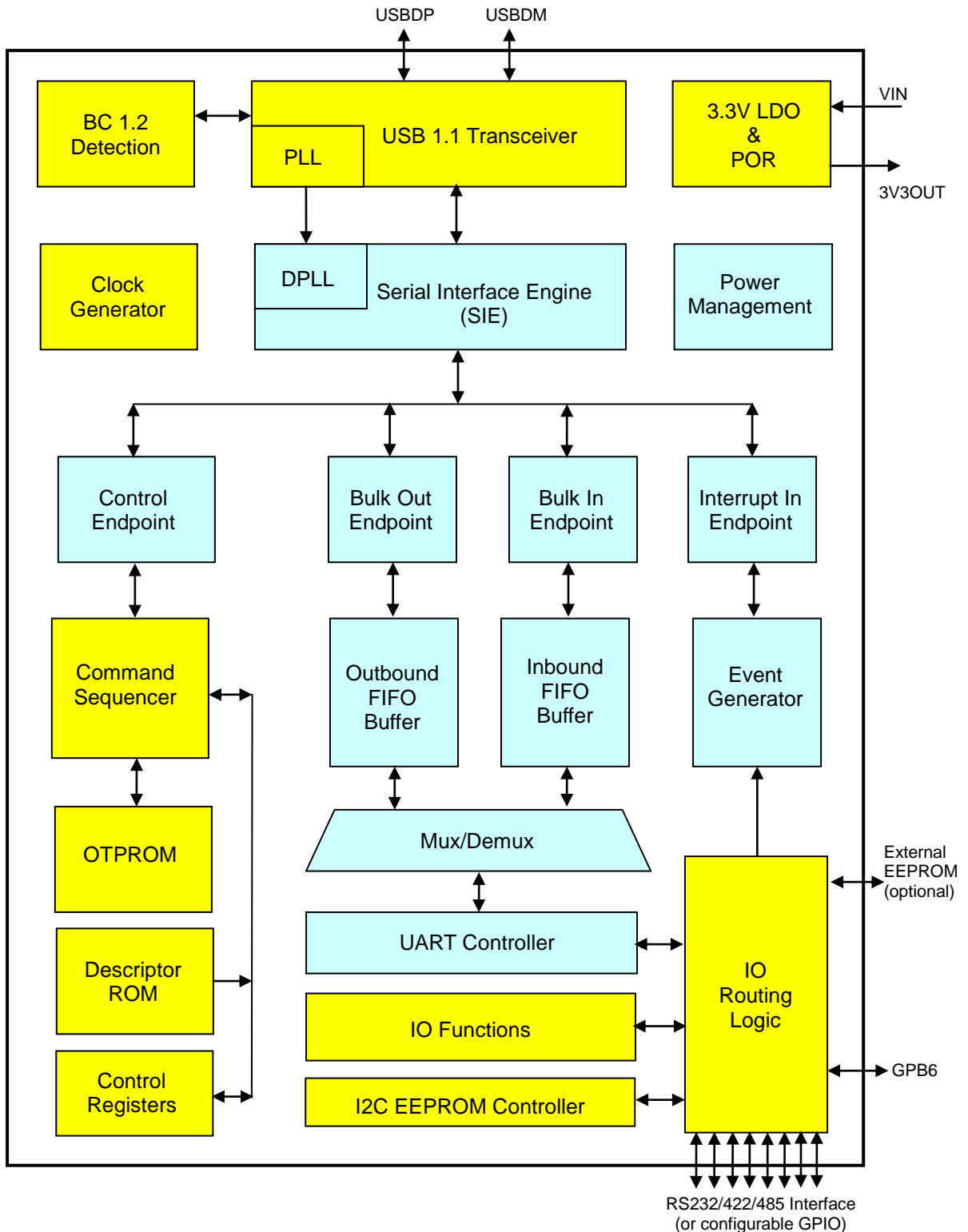


Figure 4-1 PL2303GS Block Diagram

## 5. USB Logo Certification

*(TBA)*

## Table of Contents

<b>1. Product Applications</b>	<b>2</b>
<b>2. Royalty-Free Driver Support</b>	<b>2</b>
<b>3. Ordering Information</b>	<b>2</b>
<b>4. Block Diagram</b>	<b>3</b>
<b>5. USB Logo Certification</b>	<b>4</b>
<b>6. Overview</b>	<b>9</b>
6.1 PL2303 G-Series USB to Serial Family Product Table	10
<b>7. Pin Diagram and Description</b>	<b>11</b>
7.1 SSOP16 Pin Diagram	11
7.2 Pin Out Description	12
7.4 GPIO Multi-Function Options	14
<b>8. Functional Description</b>	<b>16</b>
8.1 BC 1.2 Detection	16
8.2 USB 1.1 FS Transceiver	16
8.3 LDO Regulator	16
8.4 Clock Generator	16
8.5 USB FS SIE	16
8.6 Power Management	17
8.7 Control Endpoint	17
8.8 Bulk Out Endpoint	17
8.9 Bulk In Endpoint	17
8.10 Interrupt In Endpoint	17
8.11 Command Sequencer	17
8.12 Outbound FIFO	17
8.13 Inbound FIFO	18
8.14 Event Generator	18
8.15 Internal OTPROM	18
8.16 Mux/Demux	18
8.17 Descriptor ROM	18
8.18 UART Control	18
8.19 Control Registers	18

8.20	IO Functions .....	19
8.21	I/O Routing Logic.....	19
8.22	I2C EEPROM Controller .....	19
<b>9.</b>	<b>Chip Function Configuration .....</b>	<b>20</b>
9.1	USB Data Configuration .....	20
9.2	UART Configuration.....	22
9.3	GPIO (GPA) Configuration.....	23
9.4	GPIO (GPB) Configuration.....	25
9.5	Miscellaneous (MISC) Configuration.....	26
<b>10.</b>	<b>Design Application Examples.....</b>	<b>27</b>
10.1	USB Bus Powered Design .....	27
10.2	Self Powered Design .....	27
10.3	Chip Reset Control .....	29
10.4	I/O Power Supply to PL2303GS .....	30
10.5	USB to RS232 Cable Design .....	31
10.6	USB to RS485/RS422 .....	32
10.7	Battery Charging Support .....	33
10.8	External I2C EEPROM Support .....	35
<b>11.</b>	<b>DC &amp; Temperature Characteristics.....</b>	<b>36</b>
11.1	Absolute Maximum Ratings .....	36
11.2	DC Characteristics.....	36
11.2.1	Operating Voltage and Suspend Current .....	36
11.2.2	I/O Pins.....	36
11.3	Temperature Characteristics.....	37
11.4	Baud Rate Characteristics .....	37
<b>12.</b>	<b>Outline Diagram .....</b>	<b>38</b>
12.1	SSOP16 Package.....	38

---

**List of Figures**

Figure 4-1 PL2303GS Block Diagram .....3  
Figure 7-1 PL2303GS Pin Diagram (SSOP16)..... 11  
Figure 10-1 USB Bus Powered Design Example .....27  
Figure 10-2a USB Self Powered Design Example 1 .....28  
Figure 10-2b USB Self Powered Design Example 2.....28  
Figure 10-3a Chip Reset Control Application .....29  
Figure 10-3b Chip Power Reset Timing Diagram .....29  
Figure 10-4a IO Power Supply .....30  
Figure 10-4b VDD\_IO Voltage Supply.....30  
Figure 10-5 USB to RS232 Design Example .....31  
Figure 10-6 USB to RS485/422 Design Example .....32  
Figure 10-7a Battery Charging Design Example #1 .....33  
Figure 10-7b Battery Charging Design Example #2 .....34  
Figure 10-8 External I2C EEPROM Design Example .....35  
Figure 12-1 PL2303GS Outline Diagram (SSOP16).....38

## List of Tables

Table 7-1: USB Data Interface Pins .....	12
Table 7-2: UART (Serial Port) Interface Pins.....	12
Table 7-3: Configurable GPIO Pins (Shared with Serial Port Pins).....	12
Table 7-4: Power and Ground Pins .....	13
Table 7-5: Miscellaneous Pins .....	13
Table 7-6: Configurable GPIO Multi-Function Pins.....	14
Table 7-7: GPIO Multi-Function Option Descriptions .....	14
Table 9-1 USB Descriptor Configuration .....	20
Table 9-2 UART Startup Configuration.....	22
Table 9-3 GPIO (GPA Group) Configuration .....	23
Table 9-4 GPIO (GPB Group) Configuration .....	25
Table 9-5 Miscellaneous Configuration .....	26
Table 11-1 Absolute Maximum Ratings.....	36
Table 11-2a Operating Voltage and Suspend Current.....	36
Table 11-2b I/O Pins .....	36
Table 11-3 Temperature Characteristics .....	37
Table 11-4 Baud Rate Characteristics.....	37
Table 12-1 SSOP16 Package Dimension .....	38



## 6. Overview

The new PL2303GS chip is one of the latest G-Series IC product added to the popular PL2303 USB to Serial (UART) Bridge Controller family. It provides an advanced full-featured single-chip bridge solution for connecting a full-duplex UART asynchronous serial interface device to any Universal Serial Bus (USB) capable host. The PL2303GS provides highly compatible USB drivers to simulate the traditional COM port (via virtual COM Port) on most operating systems allowing existing serial UART applications based on legacy COM port to easily migrate and be made USB ready.

The new PL2303GS comes with a lower pin count package (SSOP16). It integrates an internal precise clock generator (no external crystal required), USB 1.1 transceiver, Serial Interface Engine (SIE), LDO voltage regulator, power-on- reset (POR), FIFO data buffers, and OTPROM.

The PL2303GS added several new features and enhancements:

- Integrated termination resistors and pull-up resistor to reduce PCB external components.
- New USB drivers for different OS platforms with faster performance and advanced features.
- Precise baud rate generator (up to 12Mbps).
- OTPROM can be programmed directly through USB (no high voltage generator required).
- Larger TX/RX FIFO data buffers (1024-byte).
- Up to 9 configurable GPIO pins (shared with UART pins).
- Versatile GPIO functions and routing logic (TX/RX LED, VBUS\_DET, USB\_CFG, CLK\_OUT, etc.).
- Supports 3.3V VBUS voltage operation.
- Wide I/O voltage range (1.8V/2.5V/3.3V/5V).
- Configurable I/O pin output driving strength.
- UART inverted signal configurable option.
- Unique USB Serial Number for each IC.
- Supports Battery Charger (BC1.2) Detection to enable fast charging of batteries.

The PL2303GS is designed to support a wide-range of serial application domain including mobile, embedded, industrial, consumer, healthcare, navigation, and wearable solutions in mind. It provides a small footprint that could easily fit in to any connectors and handheld devices. With very small power consumption in either operating or suspend mode, the PL2303GS is perfect for bus powered operation with plenty of power left for the attached devices. Flexible signal level requirement on the RS232-like serial port side also allows the PL2303GS to connect directly to any 5V~1.8V range devices.

The PL2303GS is available in two small footprint Pb-free (RoHS compliant) green compound packages: 16-pin SSOP packages.

## 6.1 PL2303 G-Series USB to Serial Family Product Table

Prolific's new PL2303 G-series USB to Serial family product line offers a variety of new advanced features for USB serial interface product design. The PL2303 G-series are redesigned to provide accurate and flexible baud rate support as well as plenty of I/O functions that can be easily configured in OTPROM memory.

PL2303 G-Series USB to Serial (UART) Family Product Line						
Product	PL2303GC	PL2303GS	PL2303GE	PL2303GT	PL2303GB	PL2303GL
Description	USB to Full UART (Integrated Clock)	<b>USB to Full UART (Integrated Clock)</b>	USB to Full UART (High ESD Protection)	USB to RS232 (Internal RS232 Transceiver)	USB to Full UART (External Clock)	USB to Basic UART (Low-Pin Count)
Packages	SSOP28 QFN24	<b>SSOP16</b>	SSOP28	SSOP28	SSOP28	SOP8 UDFN8
UART Interface	RS232 RS422/RS485	<b>RS232 RS422/RS485</b>	RS232 RS422/RS485	RS232 Only	RS232 Only	RS232 (TX-RX Only)
Max. Data Rates	12Mbps	<b>12Mbps</b>	12Mbps	1Mbps	6Mbps	115200bps
Dedicated GPIO Pins	6	<b>0</b>	6	4	2	0
Shared GPIO (with UART pins)	9	<b>9</b>	9	0	0	0
Clocking	Internal <sup>1</sup>	<b>Internal</b>	Internal <sup>1</sup>	Internal	External	Internal
OTPROM <sup>2</sup>	USB Data + Configurable GPIO Function	<b>USB Data + Configurable GPIO Function</b>	USB Data + Configurable GPIO Function	USB Data + Configurable GPIO Function	NO	USB Data
External EEPROM Option	YES <sup>3</sup>	<b>YES<sup>3</sup></b>	YES <sup>3</sup>	YES <sup>3</sup>	YES	NO
Android OS Support	YES	<b>YES</b>	YES	YES	NO	YES
Configurable Data Buffer <sup>4</sup>	768-byte (RX) 256-byte (TX)	<b>768-byte (RX) 256-byte (TX)</b>	768-byte (RX) 256-byte (TX)	768-byte (RX) 256-byte (TX)	768-byte (RX) 256-byte (TX)	768-byte (RX) 256-byte (TX)
Battery Charger Detection Option	YES	<b>YES</b>	YES	No	No	No
I/O Voltage Range	I/O levels from 1.8V to 5V	<b>I/O levels from 1.8V to 5V</b>	I/O levels from 1.8V to 5V	3.3V	I/O levels from 1.8V to 5V	I/O levels from 1.8V to 5V
Pin Compatible	PL2303HXD (SSOP28 only)	<b>New design</b>	PL2303EA	PL2303RA	PL2303TA	PL2303SA (SOP8 only)

<sup>1</sup> – Also supports external crystal clock source to bypass internal clock.

<sup>2</sup> – OTPROM allows setting the USB data descriptors. Also allows setting of multi-function GPIO options.

<sup>3</sup> – External EEPROM (when enabled in OTPROM) will override OTPROM settings.

<sup>4</sup> – TX/RX data buffers are configurable in OTPROM (PL2303GC, PL2303GS, and PL2303GE); or by driver customization.

## 7. Pin Diagram and Description

### 7.1 SSOP16 Pin Diagram

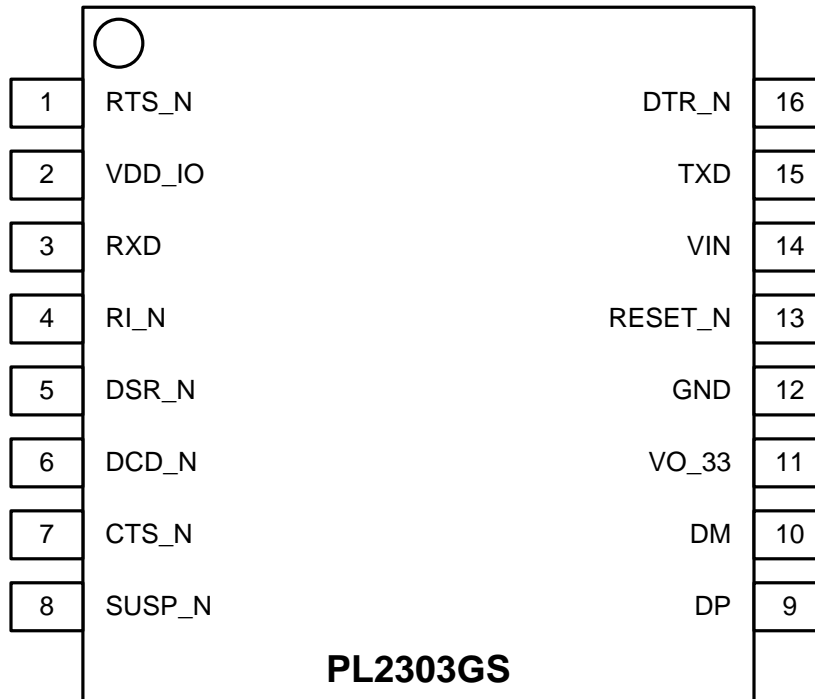


Figure 7-1 PL2303GS Pin Diagram (SSOP16)

## 7.2 Pin Out Description

Table 7-1: USB Data Interface Pins

Pin Name	SSOP16 Pin No.	Type	Description
DP	9	I/O	USB Port Data Plus (D+) Signal
DM	10	I/O	USB Port Data Minus (D-) Signal

Table 7-2: UART (Serial Port) Interface Pins

Pin Name	SSOP16 Pin No.	Type	Description
TXD	15	Output	Serial Port: Transmitted Data Output
DTR_N	16	Output	Serial Port: Data Terminal Ready Control Output
RTS_N	1	Output	Serial Port: Request To Send Control Output
RXD	3	Input	Serial Port: Received Data Input
RI_N	4	Input	Serial Port: Ring Indicator (Remote Wakeup) Control Input
DSR_N	5	Input	Serial Port: Data Set Ready Control Input
DCD_N	6	Input	Serial Port: Data Carrier Detect Control Input
CTS_N	7	Input	Serial Port: Clear To Send Control Input

Note: RXD, RI\_N, DSR\_N, DCD\_N and CTS\_N have enabled internal weak pull-up.

Table 7-3: Configurable GPIO Pins (Shared with Serial Port Pins)

Pin Name	SSOP16 Pin No.	Type	Description
GPA0	15	I/O	Configurable GPIO Pin. (see Section 7.4) <b>Factory default is TXD serial port output pin.</b>
GPA1	3	I/O	Configurable GPIO Pin. (see Section 7.4) <b>Factory default is RXD serial port input pin.</b>
GPA2	1	I/O	Configurable GPIO Pin. (see Section 7.4) <b>Factory default is RTS_N serial port output pin.</b>
GPA3	7	I/O	Configurable GPIO Pin. (see Section 7.4) <b>Factory default is CTS_N serial port input pin.</b>
GPA4	16	I/O	Configurable GPIO Pin. (see Section 7.4) <b>Factory default is DTR_N serial port output pin.</b>
GPA5	5	I/O	Configurable GPIO Pin. (see Section 7.4) <b>Factory default is DSR_N serial port input pin.</b>
GPA6	6	I/O	Configurable GPIO Pin. (see Section 7.4) <b>Factory default is DCD_N serial port input pin.</b>
GPA7	4	I/O	Configurable GPIO Pin. (see Section 7.4) <b>Factory default is RI_N serial port input pin.</b>
GPB6	8	I/O	Configurable GPIO Pin. (see Section 7.4) <b>Factory default is SUSP_N output pin.</b>

**Table 7-4: Power and Ground Pins**

Pin Name	SSOP16 Pin No.	Type	Description
VDD_IO	2	Power	+1.8V to +5V I/O signal power input pin. VDD_IO supply voltage should not be larger than VIN voltage.
VO_33	11	Power	+3.3V output power from integrated LDO regulator. For self-powered design, supply +3.3V to this pin.
GND	12	Power	Ground
VIN	14	Power	USB port VBUS input power supply. For self-powered design, supply +3.3V to this pin.

**Table 7-5: Miscellaneous Pins**

Pin Name	SSOP16 Pin No.	Type	Description
SUSP_N	8	Output	Active low Shutdown control pin. Can be used to shutdown external RS232 transceiver (connect to transceiver shutdown pin).
RESET_N	13	Input	Active low Reset pin. Can be used by external device to reset the PL2303GS. This pin has internal pull-up to VDD_IO.

## 7.4 GPIO Multi-Function Options

The PL2303GS chip provides a total of 9 configurable GPIO (General Purpose I/O) pins. The pins are grouped into 8 GPA and 1 GPB set of pins. The table below shows the possible functions that can be configured for each GPIO pin. These special functions can be easily configured in the OTPROM of the PL2303GS or to an external I2C EEPROM using the Prolific OTPROM/EEPROM software tool. When these pins are configured as standard GPIO pins, customers can refer to the Prolific GPIO SDK (software development kit) to develop software to control the GPIO pins for customer application desired functions.

**Table 7-6: Configurable GPIO Multi-Function Pins**

GPIO	SSOP16 Pin No.	Factory Default	Configurable Options (using OTPROM Tool)				
GPA0	15	TXD					
GPA1	3	RXD					
GPA2	1	RTS	TX_LED	CLK_OUT	SUSP_N	USB_CFG	TXEN
GPA3	7	CTS	RX_LED	TRX_LED	WAKEUP	VBUS_DET	BC_DET
GPA4	16	DTR	TX_LED	CLK_OUT	USB_CFG	EE_SDA	
GPA5	5	DSR	RX_LED	TRX_LED	BC_SUSP_N	EE_SCL	
GPA6	6	DCD	VBUS_DET	BC_DET	TXEN		
GPA7	4	RI (WAKEUP)					
GPB6	8	SUSP_N	USB_CFG	WAKEUP	CLK_OUT		

**Table 7-7: GPIO Multi-Function Option Descriptions**

GPIO Function	SSOP16 GPIO Pins	Type	Description
TX_LED	GPA2 (Pin 1) GPA4 (Pin 16)	Output	Serial Port: TXD Access LED.
RX_LED	GPA3 (Pin 7) GPA5 (Pin 5)	Output	Serial Port: RXD Access LED.
TRX_LED	GPA3 (Pin 7) GPA5 (Pin 5)	Output	Serial Port: TXD and RXD Access LED.
VBUS_DET	GPA3 (Pin 7) GPA6 (Pin 6)	Input	When this pin is set to VBUS_DET mode, the device will not attach to USB until VBUS_DET input pin goes to high level. NOTE: Only one pin can be configured as VBUS_DET pin.
USB_CFG	GPA2 (Pin 1) GPA4 (Pin 16) GPB6 (Pin 8)	Output	When device is attached to USB port and configured by USB host, this USB_CFG pin will output to high level. This pin can be used to enable system function after USB is configured.
TXEN	GPA2 (Pin 1) GPA6 (Pin 6)	Output	Transmit Data Enable Pin can be used to enable RS485/RS422 transceiver when data is being

			transmitted.
<b>SUSP_N</b>	GPA2 (Pin 1) GPB6 (Pin 8)	Output	Active low Shutdown control pin. This pin has two options to choose. One is to indicate chip suspend state by USB bus state. The other option (factory default) is to indicate chip un-configured state and chip suspend state. These two options can be configured in OTPROM or EEPROM.
<b>WAKEUP</b>	GPA3 (Pin 7) GPA7 (Pin 4) GPB6 (Pin 8)	Input	The remote wakeup function is to wake up chip from suspended state when this pin toggle in suspend state. There must be only one pin configured as WAKEUP pin. The factory default is RI (GPA7) pin.
<b>BC_DET</b>	GPA3 (Pin 7) GPA6 (Pin 6)	Output	Battery Charge Detect pin. This active high pin indicates BC 1.2 DCP/CDP is detected.
<b>BC_SUSP_N</b>	GPA5 (Pin 5)	Output	This pin has same function as SUSP_N except this pin will be forced inactive in chip suspend state when BC 1.2 DCP/CDP is detected.
<b>CLK_OUT</b>	GPA2 (Pin 1) GPA4 (Pin 16) GPB6 (Pin 8)	Output	This pin can generate clock output up to 12MHz. Clock rates can be configured in OTPROM/EEPROM or customized driver. There must be only one pin configured as CLK_OUT pin.
<b>EE_SDA</b>	GPA4 (Pin 16)	Input/ Output	External I2C EEPROM interface serial data signal.
<b>EE_SCL</b>	GPA5 (Pin 5)	Input/ Output	External I2C EEPROM interface serial clock signal.

## **8. Functional Description**

This section details the functional block diagram description of the PL2303GS.

### **8.1 BC 1.2 Detection**

This function is used to detect VBUS power supply capability of USB host port and provides charging control to battery charging IC. This function is enabled in OTPROM by setting GPIO pin to BC\_DET option. This pin will indicate if BC 1.2 DCP/CDP is detected when device is attached to the USB port. The external battery charging IC uses the USB\_CFG and SUSP\_N signal pins to control its charging current support or the BC\_DET signal pin to enable fast charging current mode.

### **8.2 USB 1.1 FS Transceiver**

The USB Transceiver provides the USB full-speed electrical signal requirements and USB physical interface (DP/DM). This block also includes one precise internal oscillator for PLL. The PLL provides the clock to other logic functions. This block also includes the internal USB series termination resistors on the USB data lines and pull-up resistor for the DP signal.

### **8.3 LDO Regulator**

This block is the 5V to 3.3V LDO regulator to power and drive the USB transceiver. It also includes 3.3V brownout detection output signals that will be used by digital circuit to reset the chip. The LDO 5V to 3.3V can supply 100mA for chip internal and external components.

### **8.4 Clock Generator**

The clock generator module generates the 48MHz and 12MHz reference clock signals for internal chip logic. The internal clocks will be stopped while in suspend state.

### **8.5 USB FS SIE**

The USB Full-Speed Serial Interface Engine (SIE) block performs the processing of USB DP/DM signals. It translates the internal parallel data to serial data and outputs to USB FS transceiver to generate external USB DP/DM signals timing. It also translates external USB DP/DM signals pass through USB FS transceiver to parallel data for internal circuit. This block supports USB packet decoding and encoding. It also generates and check packet CRC, bit stuffing, SYNC and EOP frame signal. The DPLL module will use the internal 48MHz clock to synchronize external DP/DM transitions to generate 12MHz clock for USB interface related circuit.



## **8.6 Power Management**

This module will monitor the USB attachment and DP/DM signals state to create reset state, running state, suspend state, wakeup state, etc.

## **8.7 Control Endpoint**

The Control Endpoint module handles control endpoint packet transfer protocols such as SETUP packet, DATA packet and return status packet.

## **8.8 Bulk Out Endpoint**

The Bulk Out Endpoint module handles bulk-out endpoint packet transfer protocols such as DATA packet and return status packet. It also transfers USB host bulk-out data to chip outbound FIFO.

## **8.9 Bulk In Endpoint**

The Bulk In Endpoint module handles bulk-in endpoint packet transfer protocols such as DATA packet and return status packet. It also transfers data inside the chip inbound FIFO to USB host through bulk-in DATA packet.

## **8.10 Interrupt In Endpoint**

The Interrupt In Endpoint module handles interrupt-in endpoint packet transfer protocols such as DATA packet and return status packet. It transfers interrupt data generated inside the chip to USB host through interrupt-in DATA packet.

## **8.11 Command Sequencer**

This module handles the USB standard requests and vendor requests. It dispatches control signals to relative peripheral modules and gather information from peripheral modules. When it received USB standard request commands, it may check ROM data or data latched from OTP and return them to USB host. When vendor requests are received, it dispatches to peripherals to set or get something.

## **8.12 Outbound FIFO**

This buffer receives data from Bulk Out Endpoint and provides data to peripheral modules. It handles read and write pointers and calculate full and empty conditions. There are also near empty threshold check to notify peripheral module that FIFO is going to empty.

### **8.13 Inbound FIFO**

This buffer receives data from peripheral modules and provides data to Bulk In Endpoint. It handles read and write pointers and calculate full and empty conditions. There are also near full threshold check to notify peripheral module that FIFO is going to full.

### **8.14 Event Generator**

This module provides interrupt data to Interrupt In Endpoint. This module senses interrupt event toggle from UART peripheral and GPIO module.

### **8.15 Internal OTPROM**

The OTPROM (One-Time Programming Read-Only Memory) is used to store chip function settings, GPIO pin function setting and USB descriptor related data. A one-time programming user area of the memory is available to allow customization of settings. The user area of the PL2303GS OTPROM can now be easily programmed using the Prolific OTPROM software through USB port without any additional voltage converter requirement. Refer to Section 9.0 for more information on the OTPROM configuration settings.

### **8.16 Mux/Demux**

This module is designed to pass data between FIFO and UART peripheral module.

### **8.17 Descriptor ROM**

This block contains the USB descriptor data for returning to USB host.

### **8.18 UART Control**

The UART Control module handles the data transfer according to RS232 format and interface. Full set flow control is implemented including RTS/CTS, DTR/DSR and software flow control. Flow control circuit will check FIFO near full or near empty status to activate flow control signals. This module includes a precise baud rate generator that can generate baud rates up to 12Mbps. The baud rate is set from USB command.

### **8.19 Control Registers**

The Control Registers module contains the chip control registers read and set, and initially loads from OTPROM. USB host will use USB vendor command to read and write control registers to set chip function.

## **8.20 IO Functions**

The IO Functions block implements generic GPIO function and many configurable I/O functions such as TX access LED and RX access LED features, clock output features, and others (see Section 7.4).

## **8.21 I/O Routing Logic**

The PL2303GS has many versatile I/O functions. Each GPIO pin is provided with multiple functions that can be configured in the OTPROM. This module multiplexes I/O functions to different chip I/O pins. It also handles I/O pin polarity, open-drain, pull-up/pull-down, and I/O pin drive capability functions.

## **8.22 I2C EEPROM Controller**

The I2C EEPROM Controller provides an optional alternative solution to the OTPROM that allows an external I2C EEPROM to be attached through GPIO pins 2 and 9 (GPA4/GPA5) for the SDA and SCL interface. Using the PL2303GS OTPROM/EEPROM Writer program, customer can also write the chip function settings, GPIO pin function settings, and USB descriptor related data to external I2C EEPROM. The advantage of using an external EEPROM is that it can be written several times. The Prolific OTPROM/EEPROM software works by plugging the device through USB port without any additional voltage converter requirement. Refer to Section 9.0 for more information on the OTPROM/EEPROM configuration settings.

## 9. Chip Function Configuration

The default configuration descriptors are stored in the chip internal memory which will be loaded during power-on reset or USB bus reset whenever OTPROM is empty. Several of the USB and configuration descriptors could be modified and programmed one-time into the chip's OTPROM using the PL2303GS OTPROM/EEPROM Writer utility program. These descriptors include Vendor ID, Product ID, Serial Number, Product String, UART settings, GPIO configurations, and other configuration descriptors. The PL2303GS chip also provides an option to use an external I2C EEPROM to write the configurations several times.

### 9.1 USB Data Configuration

The screenshot shows the 'USB' configuration tab. It includes sections for:
 

- OTPROM / External EEPROM:** Radio buttons for 'Use OTPROM(Space) : 1', 'Enable Ext. EEPROM, GPA5:SCL, GPA4:SDA', and 'Enable Ext. EEPROM, GPB3:SCL, GPB2:SDA'. A 'Fixed COM Port Number' section with 'Enable' checkbox and 'COM 3' field.
- Device Descriptor:** Text boxes for Vendor ID (VID) 0x 067B, Product ID (PID) 0x 23A3, and Release No (BCD) 0x 0100.
- Configuration descriptor:** Radio buttons for Device Power mode: Self-powered, Bus-powered( 100mA ) (selected), and Bus-powered( 500mA ). A 'Max Power: 100 ma' field. A 'USB Selective Suspend : Remote Wakeup' section with 'Enable' (selected) and 'Disable' radio buttons.
- String descriptors:** 'String Length: 45 / 90 (Max) : MS: 24, PS: 21, SN: 0'. Text boxes for Manufacturer String (Prolific Technology Inc.) and Product String (USB-Serial Controller). An 'Enable PSDM' checkbox. Radio buttons for 'Disable Serial Number', 'Enable Unique Serial Number ID UNIQ\_ID 0x:' (selected), and 'Custom Serial Number'. Below this, 'Prefix : Number' fields for 'Auto SN(+1)' and 'Fixed SN'.

Table 9-1 USB Descriptor Configuration

Descriptors	Default Value	Description
<b>OTPROM / External EEPROM</b>	Use OTPROM	<p>This field allows writing the chip configuration settings either into the OTPROM or to an external EEPROM.</p> <ul style="list-style-type: none"> <li>Use OTPROM – this option will write the new settings into the chip's OTPROM. The OTPROM can only be written once. If the Space box denotes a 1, it means it can be written.</li> </ul>

		<ul style="list-style-type: none"> <li>Enable Ext. EEPROM (GPA5:SCL, GPA4:SDA) – this option can be used if there is an external I2C EEPROM attached to pins GPA5 and GPA4 of PL2303GS. Settings will be written to the external EEPROM and can be written several times.</li> </ul> <p><b>NOTE: PL2303GS chip can only allow a one-time switch from OTPROM to Ext EEPROM or vice-versa.</b></p>
<b>Vendor ID (VID)</b>	067B (hex)	<p>USB unique Vendor ID of Company or Manufacturer. This ID is applied and registered from USB-IF.</p> <p>Refer to this website for applying VID: <a href="http://www.usb.org/developers/vendor/">http://www.usb.org/developers/vendor/</a></p>
<b>Product ID (PID)</b>	23F3 (hex)	USB Product ID assigned by Manufacturer.
<b>Release No. (BCD)</b>	0100 (hex)	This field reports the release number of the USB device chip. This item is not allowed to be modified.
<b>Device Power Mode</b>	Bus Powered (100mA)	This field sets the USB device if bus-powered or self-powered device.
<b>Max Power</b>	100mA	This field sets the USB device maximum power that can be drawn by the device from the USB host. Enter the value here if it is not 100mA or 500mA. Expressed in 2 mA units (i.e., 50 = 100 mA).
<b>USB Selective Suspend</b>	Enable	This field enables/disables the USB Selective Suspend function. When enabled, Windows OS will suspend the device when idle for few seconds (COM port not open).
<b>Manufacturer String</b>	Prolific Technology Inc.	This field contains the product manufacturer string.
<b>Product String</b>	USB-Serial Controller	This field when entered will be the device string displayed by Windows and other OS when device is first detected and before driver is loaded or driver not installed. After driver is loaded, Windows will show the product string written inside the driver INF file.
<b>Serial Number</b>	Enable Unique Serial Number ID	<ul style="list-style-type: none"> <li>Disable Serial Number – this option will disable the Serial Number. Operating System will assign a random serial number for the device.</li> <li>Enable Unique Serial Number ID – this default option enables the unique serial number pre-programmed inside the chip.</li> <li>Custom Serial Number – this option allows the customer to set own product serial numbering: <ul style="list-style-type: none"> <li>Auto SN: allows to add prefix while the numbers auto increment after each write.</li> <li>Fixed SN: this will write the same number.</li> </ul> </li> </ul> <p>Device with serial number enabled allows the device to be assigned with the same COM port number even when plug to other USB ports of the same PC.</p>

NOTE: The total string length for the manufacturer + product + serial number string is up to 90 characters.

## 9.2 UART Configuration

**UART control**

**LED**

LED flash fast (12Hz)

LED flash slow (3Hz)

**UART mode**

full-duplex UART

half-duplex UART

**remote wake up**

disable remote wake up by RXD (UART)

enable remote wake up by RXD (UART)

**UART flow control setting: Software**

disable software flow control

enable software flow control

**UART flow control setting: Hardware**

disable hardware flow control

enable RTS/CTS flow control

enable DTR/DSR flow control

enable RTS/CTS and DTR/DSR flow control

**Buffer size and up-stream flow control threshold settings:**

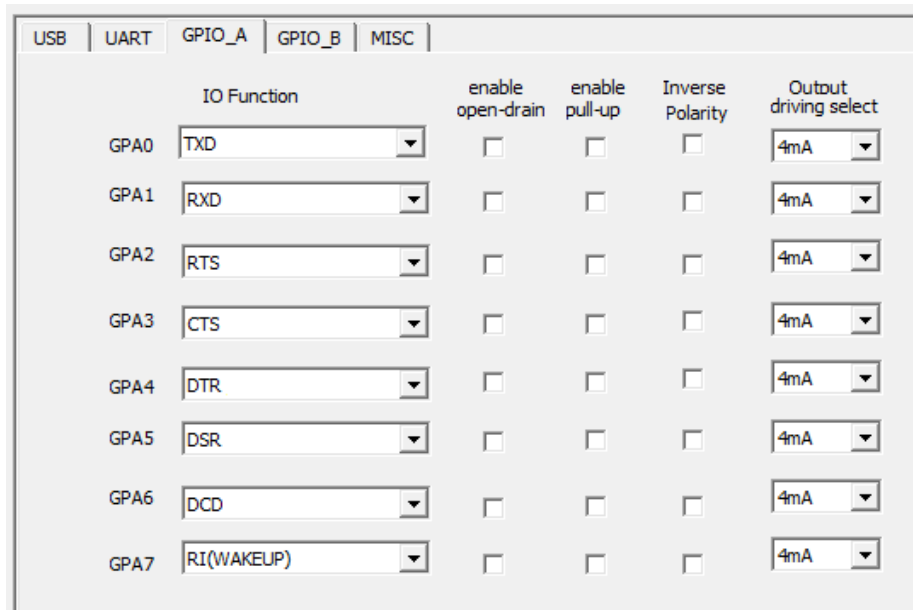
	Down stream	Up stream	High Watermark	Low Watermark
<input checked="" type="radio"/>	256	768	736	384
<input type="radio"/>	256	768	640	384
<input type="radio"/>	512	512	480	256
<input type="radio"/>	512	512	448	256

**Table 9-2 UART Startup Configuration**

Functions	Default Value	Description
<b>LED Flash</b>	Fast	This option sets the flashing speed of the access LED when configured using the TX_LED, RX_LED, TRX_LED GPIO pins. Fast 11.4Hz and slow 2.8Hz.
<b>UART Mode</b>	Full-duplex UART	<ul style="list-style-type: none"> <li>Full-Duplex UART - this default setting allows simultaneous transmission of TX and RX lines.</li> <li>Half-Duplex UART - this option only allows for one-way transmission at a time. When there is no data transmission, TXD will be tri-state.</li> </ul>
<b>Remote Wakeup (RXD)</b>	Disable	This allows using the RXD pin as remote wakeup. The received data from RXD may be wrong while chip is waking up.
<b>Software Flow Control</b>	Disable	This option allows setting the software flow control (Xon/Xoff) during chip initial startup. In general, this option need not enabled because driver or software can control this option.
<b>Hardware Flow Control</b>	Disable	This option allows setting the hardware flow control (RTS/CTS, DTR/DSR, Both) during chip initial startup. In general, this option need not enabled because driver or software can control this option.
<b>Buffer Size Configuration</b>	256(TX) - 768(RX) 736(HW) - 384(LW)	This sets the internal buffer size configuration for TX (downstream) and RX (upstream) as well as the high and low watermark threshold levels.

### 9.3 GPIO (GPA) Configuration

Also refer to Section 7.4 for the complete GPIO Multi-Function options description.



	IO Function	enable open-drain	enable pull-up	Inverse Polarity	Output driving select
GPA0	TXD	<input type="checkbox"/>	<input type="checkbox"/>	<input type="checkbox"/>	4mA
GPA1	RXD	<input type="checkbox"/>	<input type="checkbox"/>	<input type="checkbox"/>	4mA
GPA2	RTS	<input type="checkbox"/>	<input type="checkbox"/>	<input type="checkbox"/>	4mA
GPA3	CTS	<input type="checkbox"/>	<input type="checkbox"/>	<input type="checkbox"/>	4mA
GPA4	DTR	<input type="checkbox"/>	<input type="checkbox"/>	<input type="checkbox"/>	4mA
GPA5	DSR	<input type="checkbox"/>	<input type="checkbox"/>	<input type="checkbox"/>	4mA
GPA6	DCD	<input type="checkbox"/>	<input type="checkbox"/>	<input type="checkbox"/>	4mA
GPA7	RI(WAKEUP)	<input type="checkbox"/>	<input type="checkbox"/>	<input type="checkbox"/>	4mA

Table 9-3 GPIO (GPA Group) Configuration

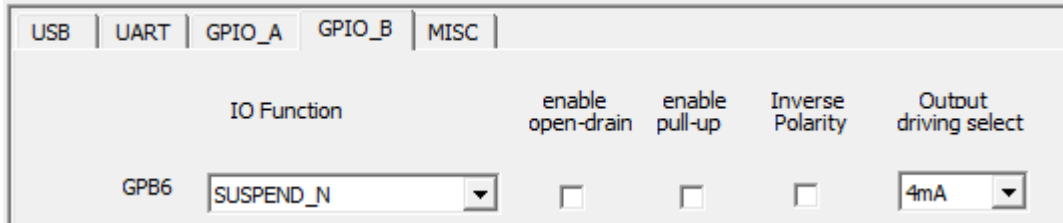
GPIO Function	Default Value	Default I/O	Description
GPA0	TXD	Output	This field also allows setting the pin as a standard GPIO. <ul style="list-style-type: none"> <li>TXD (default)</li> <li>GPIO (General Purpose I/O)</li> </ul>
GPA1	RXD	Input	This field also allows setting the pin as a standard GPIO. <ul style="list-style-type: none"> <li>RXD (default)</li> <li>GPIO (General Purpose I/O)</li> </ul>
GPA2	RTS	Output	This field allows setting the pin as a standard GPIO or any of the following function: <ul style="list-style-type: none"> <li>RTS (default)</li> <li>TX_LED</li> <li>CLK_OUT (also refer to MISC folder)</li> <li>SUSP_N (also refer to MISC folder)</li> <li>USB_CFG</li> <li>TXEN</li> <li>GPIO (General Purpose I/O)</li> </ul>
GPA3	CTS	Input	This field allows setting the pin as a standard GPIO or any of the following function: <ul style="list-style-type: none"> <li>CTS (default)</li> <li>RX_LED</li> <li>TRX_LED</li> <li>WAKEUP</li> </ul>

			<ul style="list-style-type: none"> <li>• VBUS_DET (also refer to MISC folder)</li> <li>• BC_DET</li> <li>• GPIO (General Purpose I/O)</li> </ul>
GPA4	DTR	Output	<p>This field allows setting the pin as a standard GPIO or any of the following function:</p> <ul style="list-style-type: none"> <li>• DTR (default)</li> <li>• TX_LED</li> <li>• CLK_OUT (also refer to MISC folder)</li> <li>• USB_CFG</li> <li>• EE_SDA</li> <li>• GPIO (General Purpose I/O)</li> </ul>
GPA5	DSR	Input	<p>This field allows setting the pin as a standard GPIO or any of the following function:</p> <ul style="list-style-type: none"> <li>• DSR (default)</li> <li>• RX_LED</li> <li>• TRX_LED</li> <li>• BC_SUSP_N</li> <li>• EE_SCL</li> <li>• GPIO (General Purpose I/O)</li> </ul>
GPA6	DCD	Input	<p>This field allows setting the pin as a standard GPIO or any of the following function:</p> <ul style="list-style-type: none"> <li>• DCD (default)</li> <li>• VBUS_DET (also refer to MISC folder)</li> <li>• BC_DET</li> <li>• TXEN</li> <li>• GPIO (General Purpose I/O)</li> </ul>
GPA7	RI (Wakeup)	Input	<p>This field also allows setting the pin as a standard GPIO.</p> <ul style="list-style-type: none"> <li>• RI with Wakeup (default)</li> <li>• RI</li> <li>• GPIO (General Purpose I/O)</li> </ul>
Enable Open-Drain	Disabled		This field sets the selected I/O pin to open-drain output mode.
Enable-Pull Up	Disabled		<p>This field enables the selected I/O pin weak pull-up.</p> <p><b>NOTE: The weak pull-up resistor is pull-up to VDD_IO. When enabling pull-up for input pins, the input signal voltage should not be higher than the VDD_IO voltage.</b></p>
Inverse Polarity	Disabled		This field inverts the selected I/O pin input and output signal polarity.
Output Driving Strength	4mA		This field sets the output driving strength of the selected I/O pin. (4mA up to 13mA) @VDDIO3.3V



## 9.4 GPIO (GPB) Configuration

Also refer to Section 7.4 for the complete GPIO Multi-Function options description.



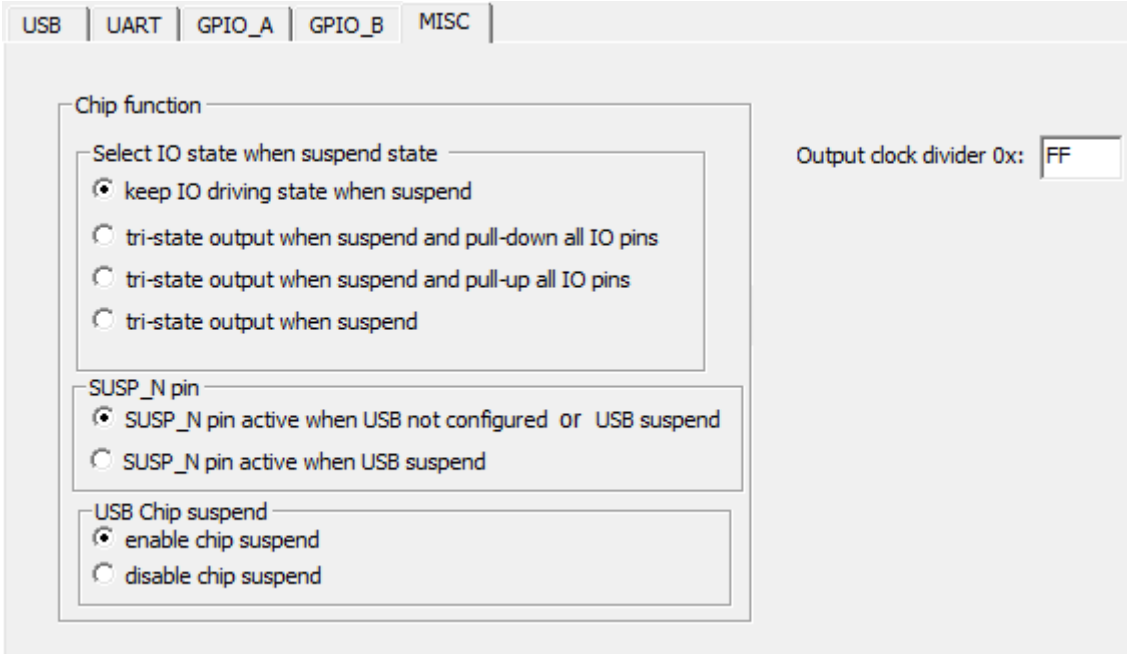
The screenshot shows a configuration window with tabs for USB, UART, GPIO\_A, GPIO\_B, and MISC. Under the GPIO\_B tab, the 'IO Function' dropdown is set to 'SUSPEND\_N'. To the right, there are four checkboxes: 'enable open-drain', 'enable pull-up', 'Inverse Polarity', and 'Output driving select'. The 'Output driving select' dropdown is set to '4mA'.

Table 9-4 GPIO (GPB Group) Configuration

GPIO Function	Default Value	Default I/O	Description
GPB6	SUSP_N	Output	This field allows setting the pin as a standard GPIO or any of the following function: <ul style="list-style-type: none"> <li>• GPIO (General Purpose I/O)</li> <li>• USB_CFG</li> <li>• WAKEUP</li> <li>• CLK_OUT (also refer to MISC folder)</li> </ul>
Enable Open-Drain	Disabled		This field sets the selected I/O pin to open-drain output mode.
Enable-Pull Up	Disabled		This field enables the selected I/O pin weak pull-up. <b>NOTE: The weak pull-up resistor is pull-up to VDD_IO. When enabling pull-up for input pins, the input signal voltage should not be higher than the VDD_IO voltage.</b>
Inverse Polarity	Disabled		This field inverts the selected I/O pin input and output signal polarity.
Output Driving Strength	4mA		This field sets the output driving strength of the selected I/O pin. (4mA up to 13mA) @VDDIO3.3V

## 9.5 Miscellaneous (MISC) Configuration

This folder includes other miscellaneous chip configuration options including VBUS\_DET, chip I/O suspend state, SUSP\_N, USB chip suspend, and clock output frequency divider options.



**Table 9-5 Miscellaneous Configuration**

Functions	Default Value	Description
Suspend Mode I/O State	Keep I/O Driving State	This option allows setting the I/O state when chip is in suspend mode.
SUSP_N Pin	SUSP_N pin active when USB not configured or USB suspend	This option allows setting the SUSP_N pin behavior when USB is not configured and in suspend state.
USB Chip Suspend	Enabled	This option can enable or disable the USB chip to suspend.
Output Clock Divider	0xFF	This field sets the output clock divider value. When value is 0, output clock pin will stay at low state. When value is 0xff, output clock pin will stay at high state. When other value, output clock rate is 24MHz / (1 + clock divider value). The default value can be kept as is and let customer driver or user tool through SDK to dynamic change the clock divider rate.

## 10. Design Application Examples

This section illustrates conceptual design application examples using the PL2303GS.

### 10.1 USB Bus Powered Design

The PL2303GS has a built-in 3.3V regulator. USB device power (pin VIN) can be supplied directly from USB VBUS pin. The capacitor behind the USB connector on VBUS is a defined requirement of USB specification. If the regulator output VO\_33 needs to be maintained at 3.3V, VIN should be larger than 3.6V. It is also recommended to add capacitor at VO\_33 pin, please refer to schematic.

This built-in 3.3V regulator can supply 100mA in addition to providing chip operating power around 10mA. It is also possible to supply power to external components under the range limit.

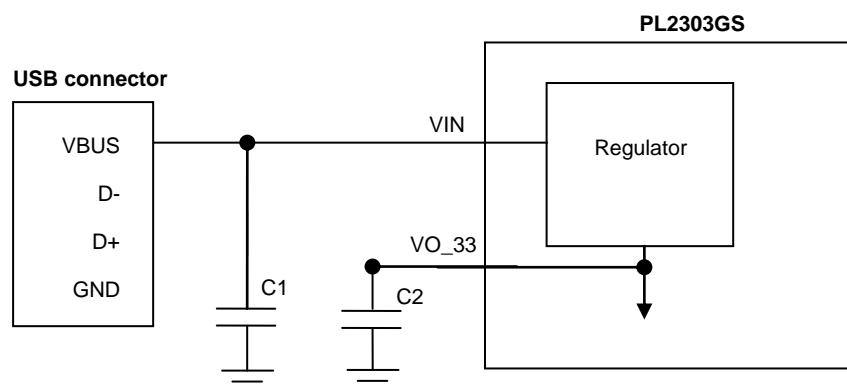


Figure 10-1 USB Bus Powered Design Example

### 10.2 Self Powered Design

The PL2303GS can also use external power supply. There are two possible ways to use external power source. The first is to use system power source to connect to VIN, and the chip's internal 3.3V regulator will generate the 3.3V power output VO\_33 for chip operations and external components. Below Figure 10-2a shows this case. The second is to disable the internal regulator where the system should provide the same 3.3V voltage to VIN and VO\_33. Under this condition, the chip will use this external 3.3V power as operating power source. See Figure 10-2b.

For USB self-powered design, it is also recommended to enable the VBUS\_DET GPIO input pin function (if DCD pin is not used) because the PL2303GS DP pin will be pulled up after power on even if USB is not attached yet. USB specification states that a DP pull-up means to attach USB. If the VBUS\_DET pin function is turned on and connected to VBUS pin, the chip will only pull-up the DP pin to USB bus when VBUS\_DET is active.

To use self-powered design, USB power mode descriptor in the OTPROM or EEPROM of the PL2303GS chip should also be programmed to self-powered mode to match this kind of configuration. USB hosts can read the USB descriptor of the device to know if it is a self-powered device.

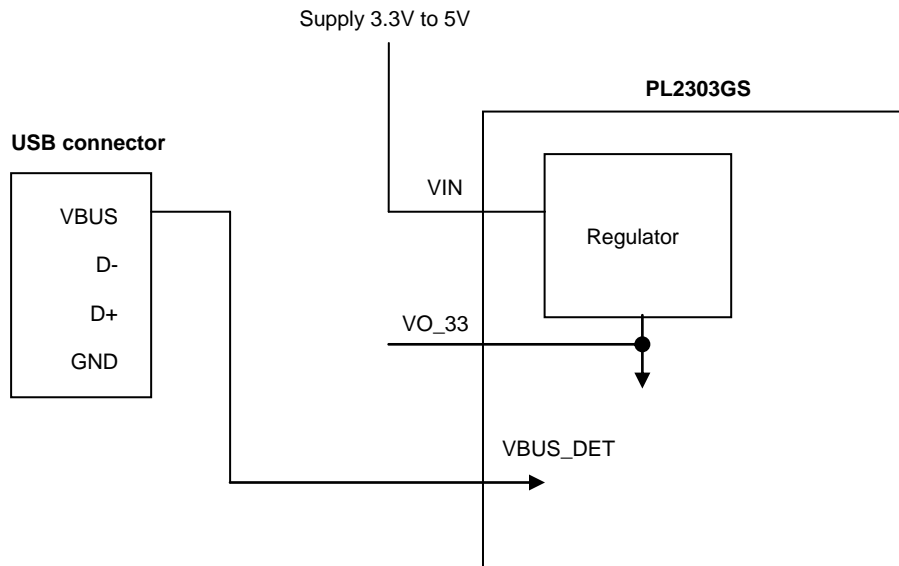


Figure 10-2a USB Self Powered Design Example 1

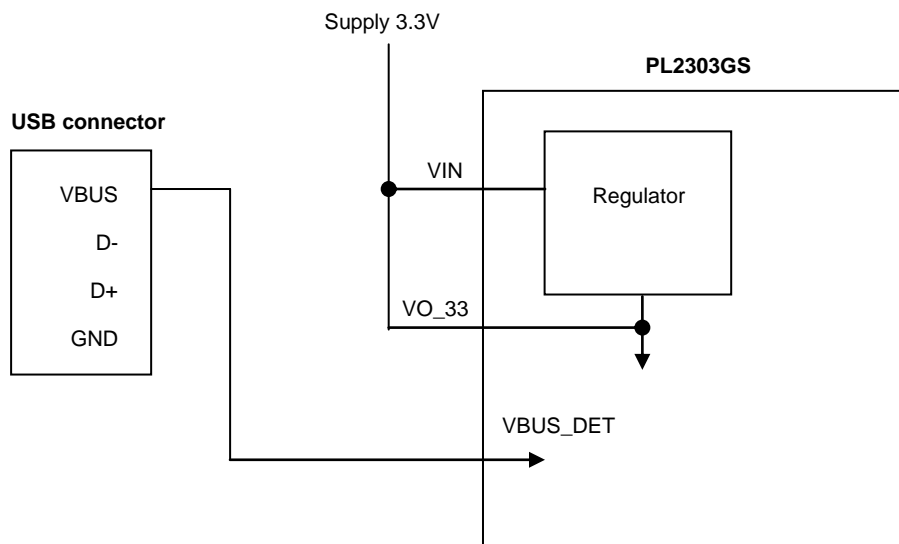
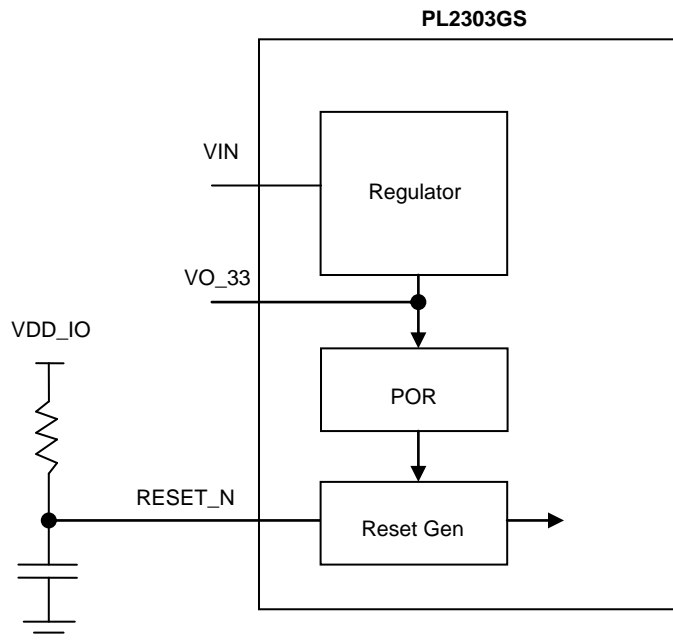


Figure 10-2b USB Self Powered Design Example 2

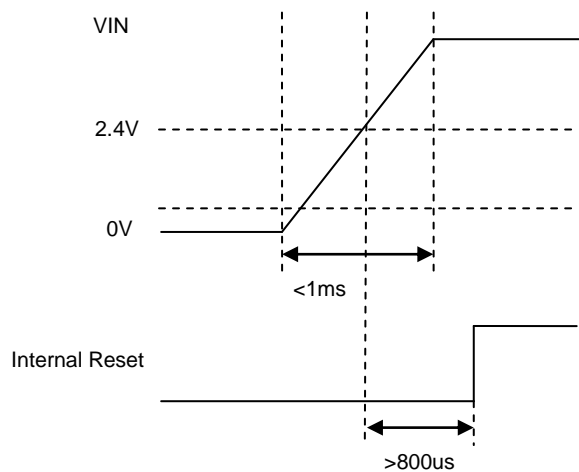
### 10.3 Chip Reset Control

The PL2303GS has an internal power on reset circuit; therefore, external reset control circuit is optional. External reset control (RESET\_N pin) can help system designs to make sure of chip operation start time.



**Figure 10-3a Chip Reset Control Application**

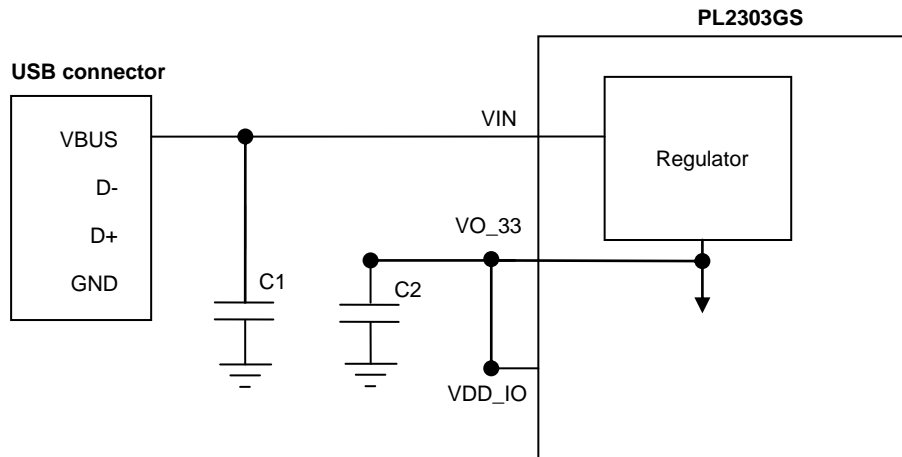
The power ramp-up time shall keep below than 1ms as shown in diagram below.



**Figure 10-3b Chip Power Reset Timing Diagram**

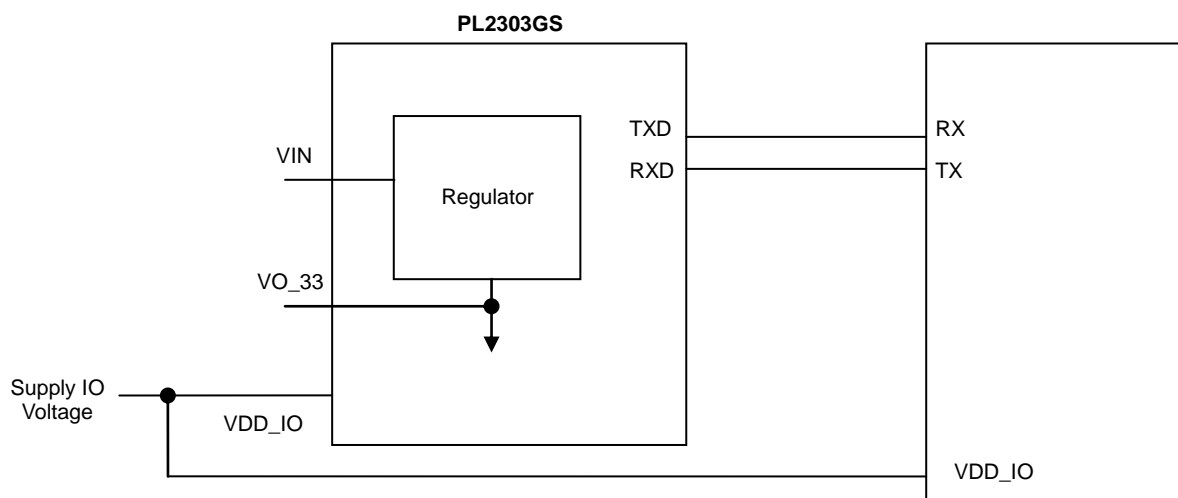
### 10.4 I/O Power Supply to PL2303GS

The PL2303GS supports a wide range of I/O voltage. The simple way to supply IO voltage is to directly connect VDD\_IO to VO\_33 pin to provide 3.3V I/O voltage. Add capacitor to VDD\_IO can help to reduce I/O noise. Please refer to schematic for the detailed capacitor value..



**Figure 10-4a IO Power Supply**

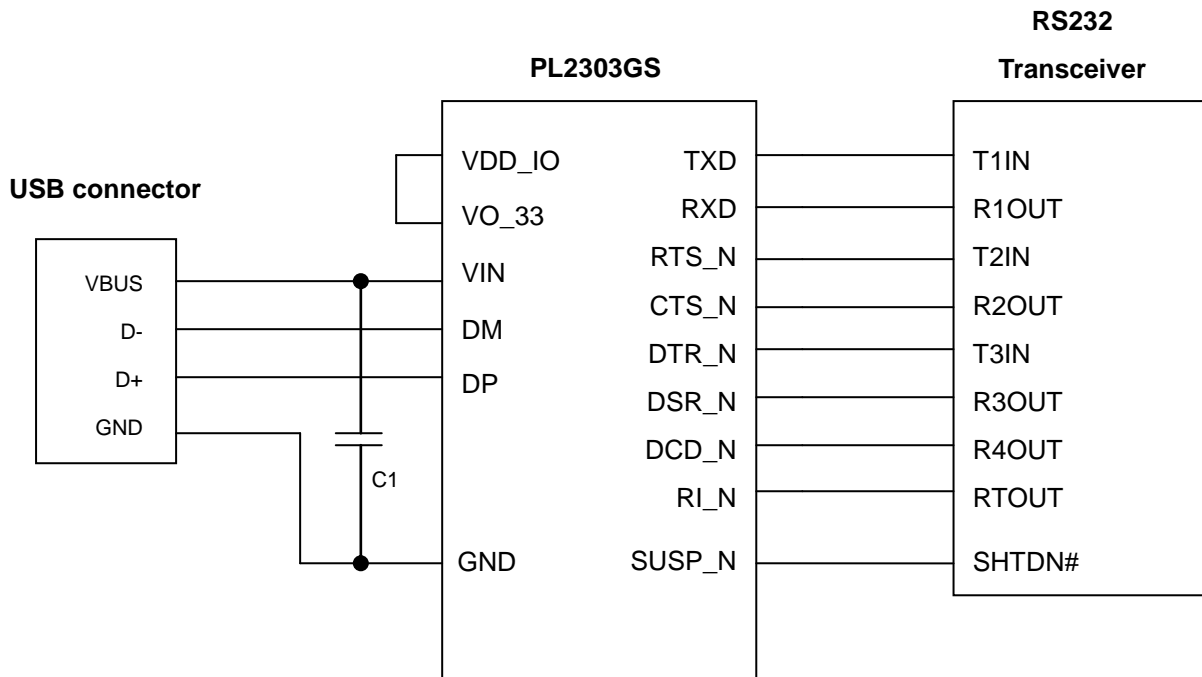
VDD\_IO can also be supplied from other power source to provide different I/O voltage. This supplied VDD\_IO voltage should not be larger than VIN voltage. All of the PL2303GS I/O pins, including UART signals, use the same VDD\_IO voltage. The I/O pins does not support mixed I/O voltages. Unless open-drain option is enabled, the I/O connection between two chips shall use the same VDD\_IO voltage. PL2303GS I/O pin also supports 5V tolerance which allows 5V input signal level in different VDD\_IO voltage.



**Figure 10-4b VDD\_IO Voltage Supply**

### 10.5 USB to RS232 Cable Design

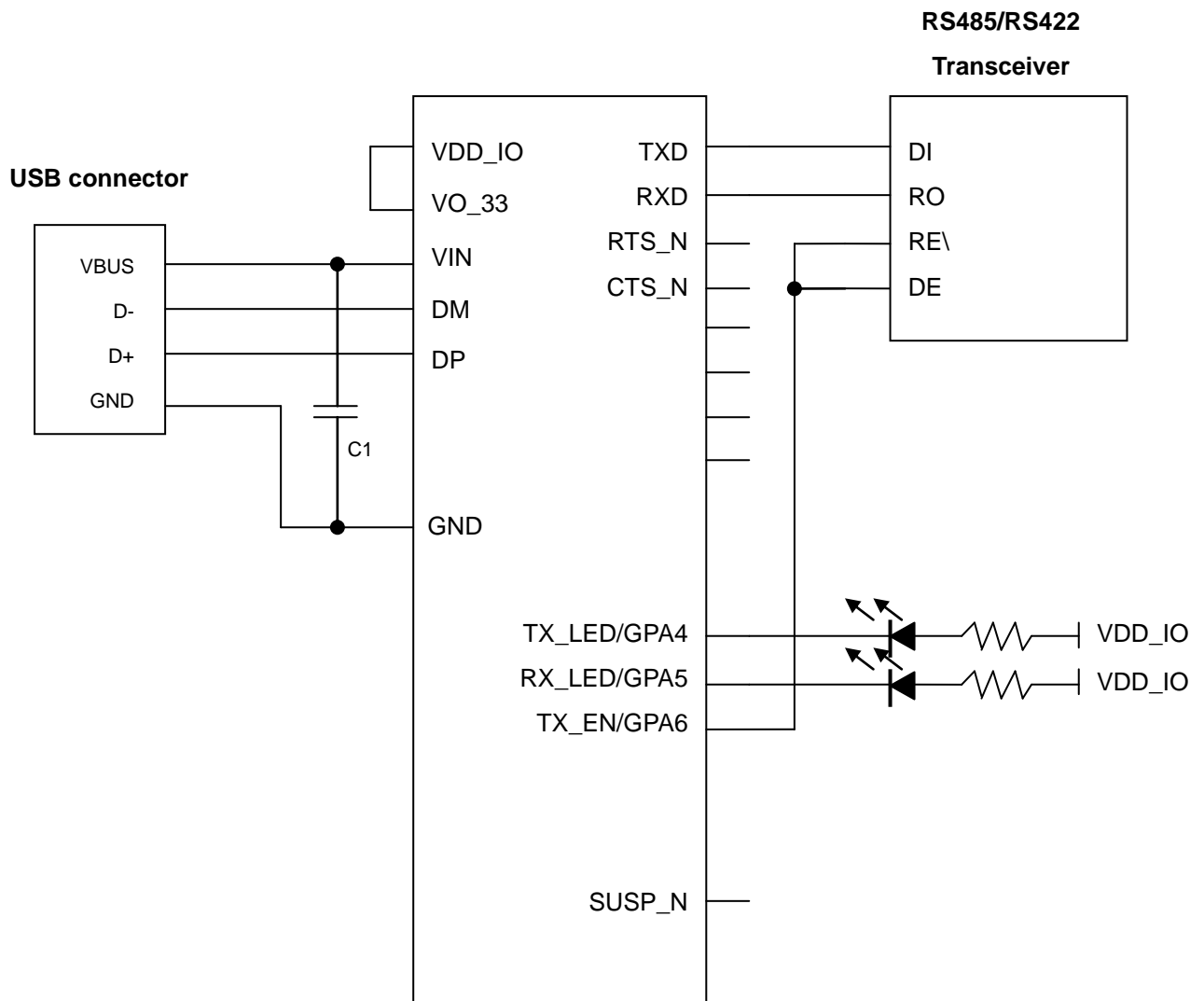
The most common design application for the PL2303GS is the USB to RS232 converter cable or adapter shown in the diagram below. This design pairs the PL2303GS with an RS232 transceiver chip (ex. SIPEX SP213EHCA) to convert the PL2303GS TTL levels serial interface to RS232 level signals. The design below includes the use of the SUSP\_N pin (SHTDN#) to power down the transceiver chip to sleep mode when in USB suspend mode. The default OTPROM supports this function directly and no need to program the OTP for special GPIO setting.



**Figure 10-5 USB to RS232 Design Example**

### 10.6 USB to RS485/RS422

Another popular application for the PL2303GS is the USB to RS485/422 design. For RS485, the chip is paired with an RS485 transceiver chip to convert the serial interface of the PL2303GS to RS485 levels. RS485 transceivers are only enabled when data is being transmitted. Hence, it needs to use the TX\_EN (transmit enable) GPA6 GPIO pin to connect to the RS485 transceiver output enable pin and enable this pin function using the OTPROM software. This application can also make use of the GPA4 and GPA5 pins configured as TX and RX access LED.

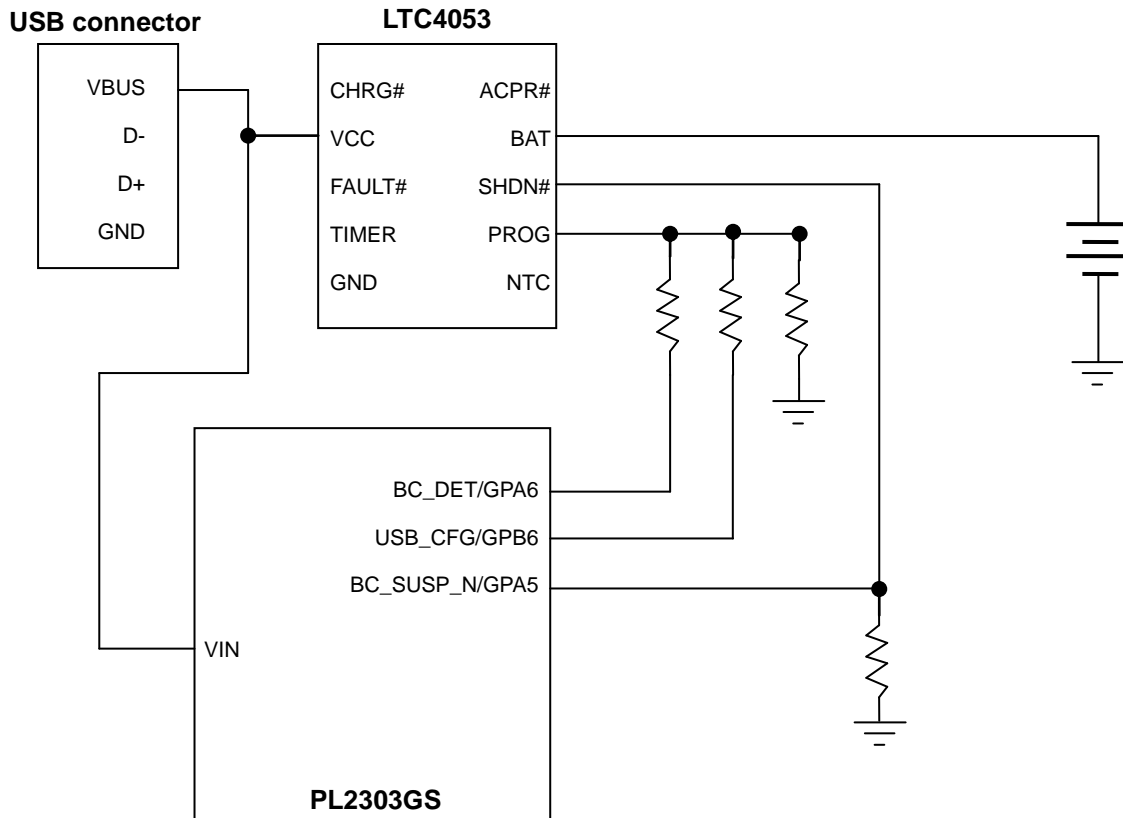


**Figure 10-6 USB to RS485/422 Design Example**



## 10.7 Battery Charging Support

The PL2303GS supports USB battery charging specification (BC1.2) wherein battery charging controller can use signals from PL2303GS to control the charging current. An example of charging control concept is shown in below diagram.

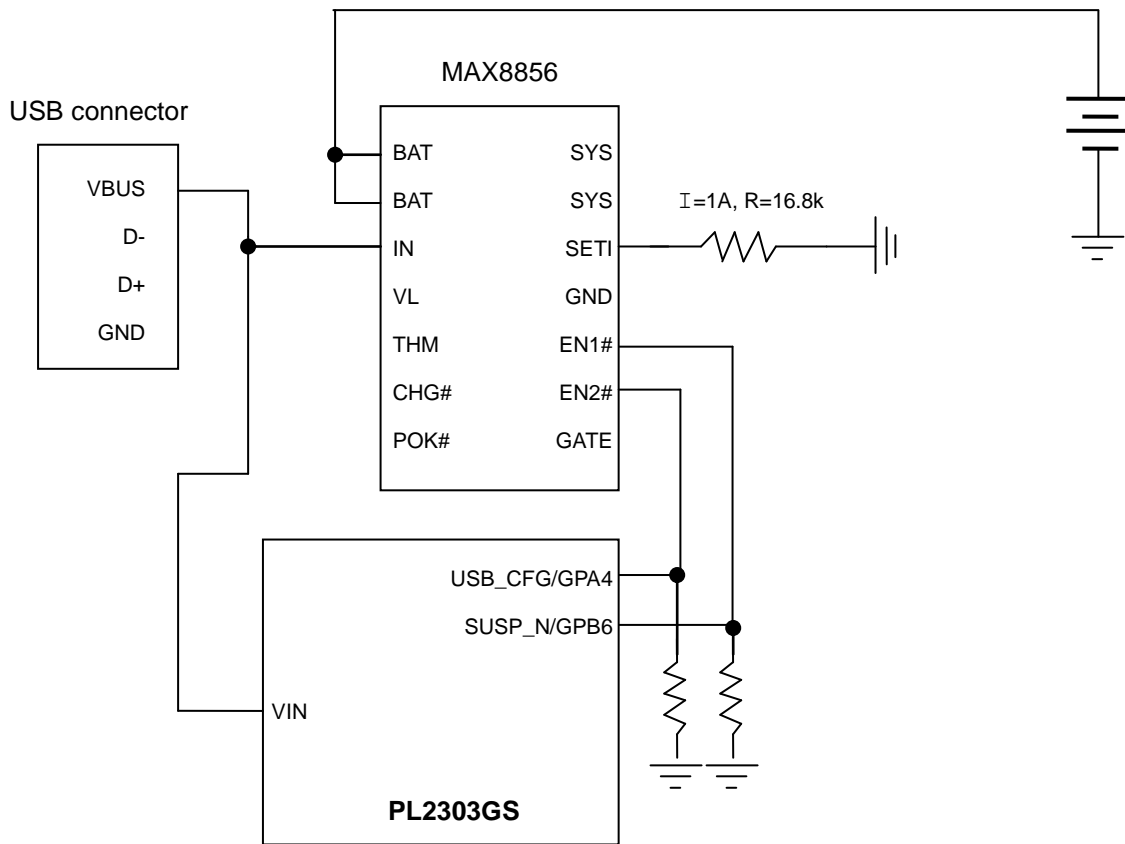


**Figure 10-7a Battery Charging Design Example #1**

This concept diagram uses the GPA6 GPIO pin configured as BC\_DET (battery charge detect pin) signal and this pin need to set to inverse polarity and open-drain mode. GPB6 GPIO pin is configured as USB\_CFG and is also set to inverse polarity and open-drain mode. GPA5 GPIO pin is configured as BC\_SUSP\_N function and connected to shutdown signal of charging controller. All above signals can achieve charging conditions as below table.

Charging Condition	Charging Current (max)	BC_SUSP_N	USB_CFG	BC_DET
Suspend	2.5mA	0	x	x
Un-configured	100mA	1	1	1
Operation	500mA	1	0	1
Fast Charging	1500mA	1	1	0

Below is another example of charging controller support concept.



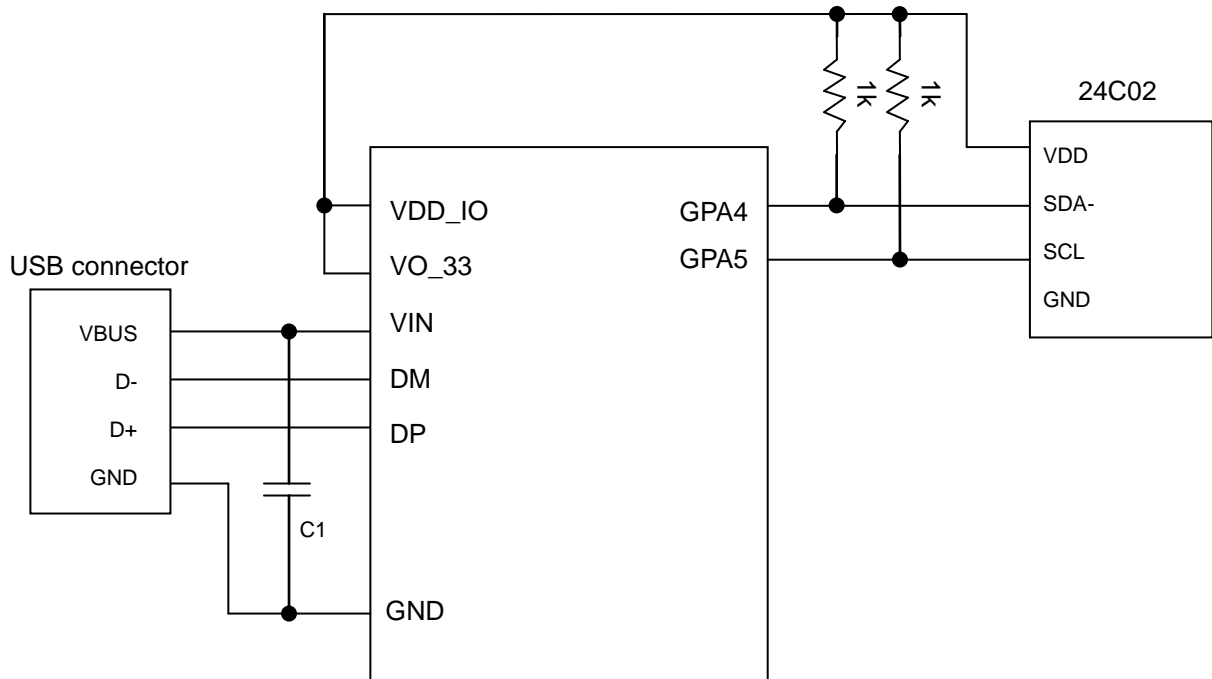
**Figure 10-7b Battery Charging Design Example #2**

The above concept diagram uses GPA4 pin as USB\_CFG and set to normal polarity and push-pull I/O mode as default. GPB6 pin is configured as SUSP\_N and set to inverse polarity and push-pull IO mode. The SUSP\_N option is also set active during USB bus suspend state only, and not when USB is not configured. This concept diagram can achieve charging conditions as below table.

Charging Condition	Charging Current (max)	SUSP_N	USB_CFG
Suspend	2.5mA	1	1
Un-configured	100mA	0	0
Operation	500mA	0	1
Fast Charging	1000mA	1	0

## 10.8 External I2C EEPROM Support

The PL2303GS can also support an external I2C EEPROM to override the OTPROM settings. To use an external EEPROM, it needs to program the OTPROM to enable the external I2C EEPROM support by setting GPA4 (DTR\_N) pin as I2C SDA and GPA5 (DSR\_N) pin as I2C SCL.



**Figure 10-8 External I2C EEPROM Design Example**

There is signature field in external EEPROM space. When this field content is valid, the PL2303GS will load the external EEPROM contents and override the settings defined in the OTPROM. Detailed information can be checked with OTPROM and EEPROM software programming tool. The supported external I2C EEPROM size is 256 bytes.

## 11. DC & Temperature Characteristics

### 11.1 Absolute Maximum Ratings

Table 11-1 Absolute Maximum Ratings

Items	Ratings
Power Supply Voltage – VIN	-0.3 to 6.0 V
Input Voltage of VDD_IO	-0.3 to VIN+0.3 V
Input Voltage I/O with 5V Tolerance I/O	-0.3 to 6.0 V
Storage Temperature	-40 to 150 °C

Note: Permanent device damage may occur if the absolute maximum ratings are exceeded. These are stress rating only, and functional operation should be restricted to within the conditions. Exposure to absolute maximum rating conditions for extended periods may affect the device's reliability.

### 11.2 DC Characteristics

#### 11.2.1 Operating Voltage and Suspend Current

Table 11-2a Operating Voltage and Suspend Current

Parameter	Symbol	Min	Typ	Max	Unit
Power Supply Voltage Range	VIN	2.8	5	5.5	V
Power Supply for I/O Pins	VDD_IO	1.7	3.3	VIN+0.3	V
Output Voltage of Regulator	VO_33	2.97	3.3	3.63	V
Operating Current <sup>(1)</sup> (Power Consumption)	I <sub>DD</sub>	-	9.5	15	mA
Suspend Current	I <sub>SUS</sub>	-	250	450	μA

Note: (1) – No device connected.

#### 11.2.2 I/O Pins

Table 11-2b I/O Pins

Parameter	Symbol	Min	Typ	Max	Unit
Input Voltage (CMOS)					
Low	V <sub>IL</sub>	--	--	0.4	V
High	V <sub>IH</sub>	0.7* VDD_IO	--	--	V
Output Voltage					
Low	V <sub>OL</sub>	--	--	0.4	V
High	V <sub>OH</sub>	0.7*VDD_IO	--	--	V

### 11.3 Temperature Characteristics

Table 11-3 Temperature Characteristics

Parameter	Symbol	Min	Typ	Max	Unit
Operating Temperature (ambient)	--	-40	--	85	°C
Junction Operation Temperature	T <sub>J</sub>	-40	25	125	°C

### 11.4 Baud Rate Characteristics

Table 11-4 Baud Rate Characteristics

Parameter	Symbol	Min	Typ	Max	Unit
Baud rate @ VDD_IO = 5V	--	1	--	12M	bps
Baud rate @ VDD_IO = 3.3V	--	1	--	12M	bps
Baud rate @ VDD_IO = 1.8V	--	1	--	6M	bps

## 12. Outline Diagram

### 12.1 SSOP16 Package

Table 12-1 SSOP16 Package Dimension

Symbol	Millimeter			Inch		
	Min	Nom	Max	Min	Nom	Max
A	1.35	1.63	1.75	0.053	0.064	0.069
A1	0.10	0.15	0.25	0.004	0.006	0.010
A2			1.50			0.059
b	0.20		0.30	0.008		0.012
c	0.18		0.25	0.007		0.010
e	0.635 BASIC			0.025 BASIC		
D	4.80	4.90	5.00	0.189	0.193	0.197
E	5.79	5.99	6.20	0.228	0.236	0.244
E1	3.81	3.91	3.99	0.150	0.154	0.157
L	0.41	0.635	1.27	0.016	0.025	0.050
h	0.25		0.50	0.010		0.020
L1	0.254 BASIC			0.010 BASIC		
ZD	0.229 REF			0.009 REF		
R1	0.20		0.33	0.008		0.013
R	0.20			0.008		
θ	0°		8°	0°		8°
θ1	0°			0°		
θ2	5°	10°	15°	5°	10°	15°
JEDEC	MO-137 (AB)					

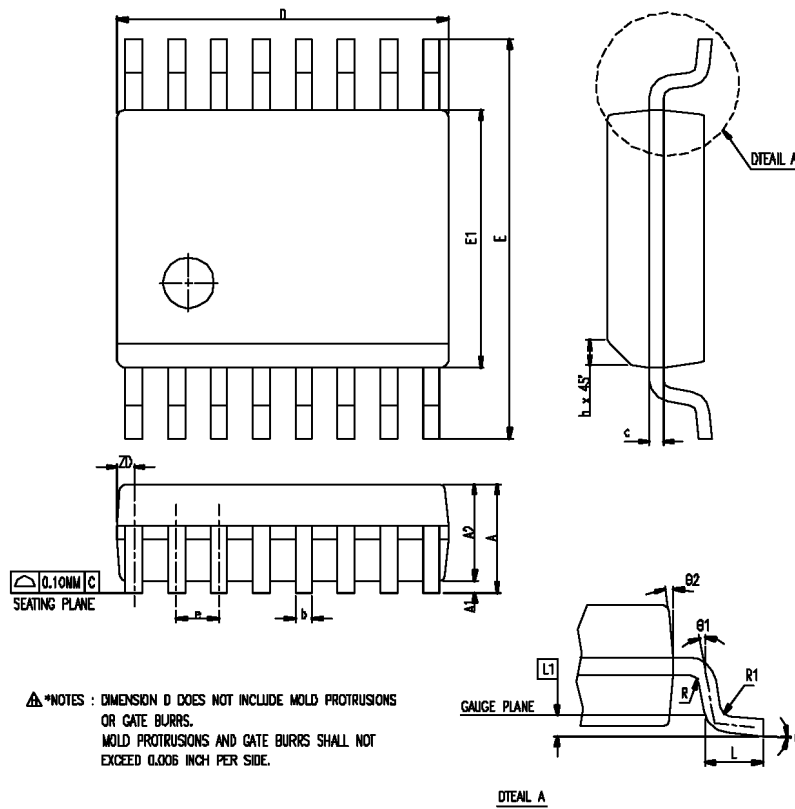


Figure 12-1 PL2303GS Outline Diagram (SSOP16)

## **Disclaimer**

All the information in this document is subject to change without prior notice. Prolific Technology Inc. does not make any representations or any warranties (implied or otherwise) regarding the accuracy and completeness of this document and shall in no event be liable for any loss of profit or any other commercial damage, including but not limited to special, incidental, consequential, or other damages.

## **Trademarks**

The Prolific logo is a registered trademark of Prolific Technology Inc. All brand names and product names used in this document are trademarks or registered trademarks of their respective holders.

## **Copyrights**

**Copyright © 2019 Prolific Technology Inc. All rights reserved.**

No part of this document may be reproduced or transmitted in any form by any means without the express written permission of Prolific Technology Inc.