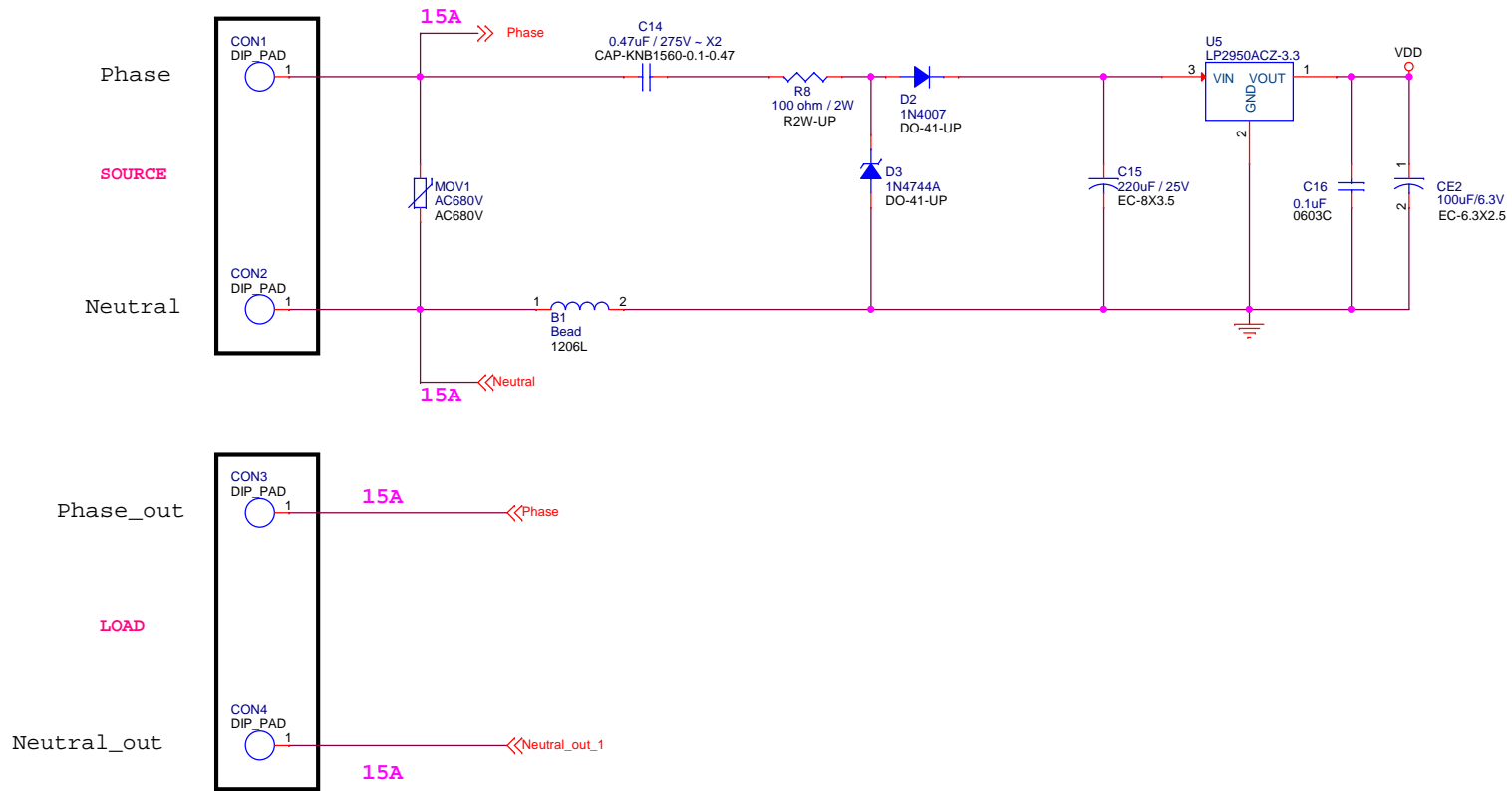
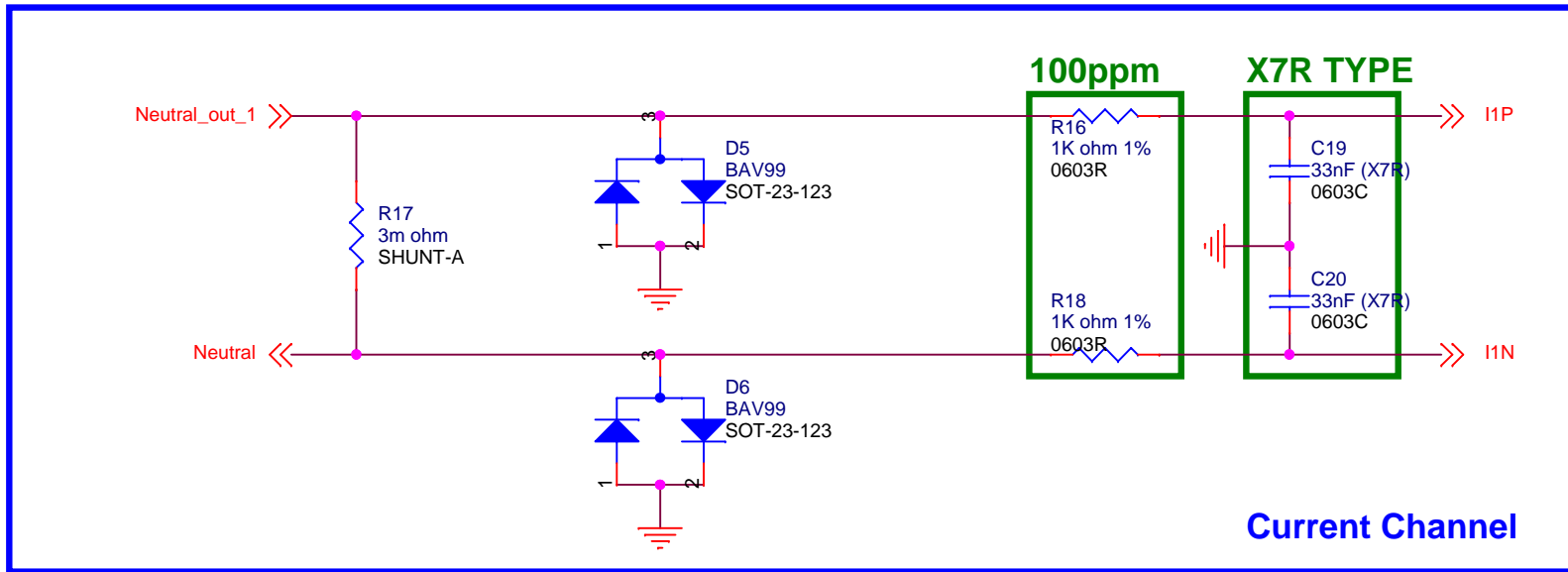
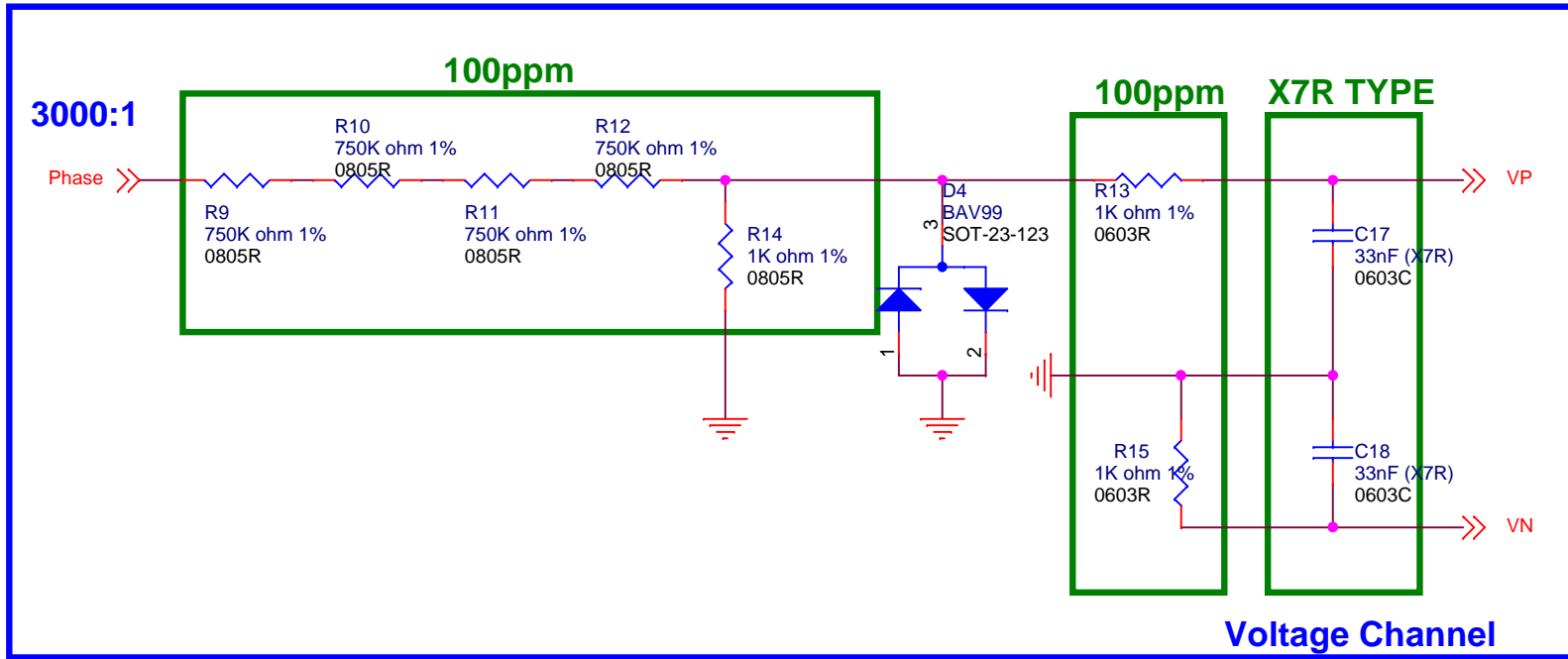


Title		
MCU		
Size	Document Number	Rev
B	<Doc>	A
Date:	Tuesday, February 11, 2014	Sheet 1 of 3



Title		
Power		
Size	Document Number	Rev
B	<Doc>	A
Date:	Tuesday, February 11, 2014	Sheet 2 of 3



Title		
Voltage & Current		
Size	Document Number	Rev
A	<Doc>	A
Date:	Tuesday, February 11, 2014	Sheet 3 of 3