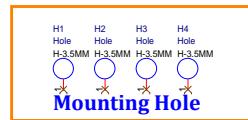
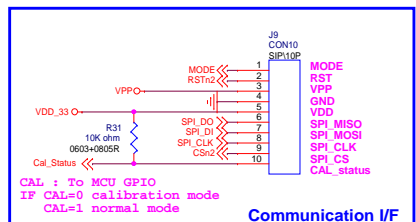
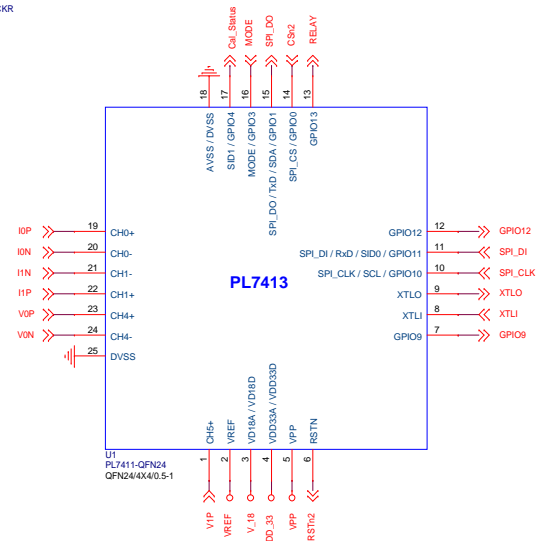
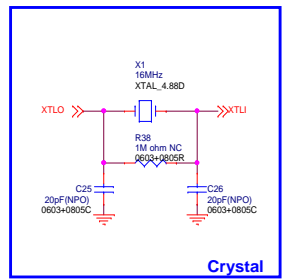
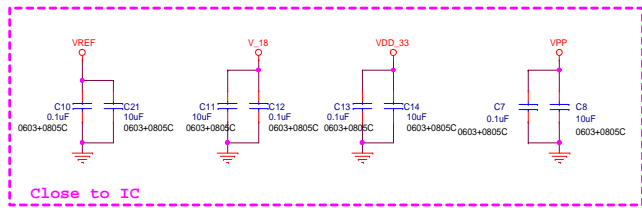
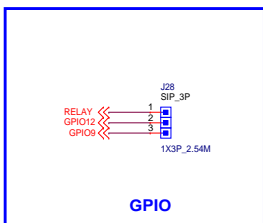
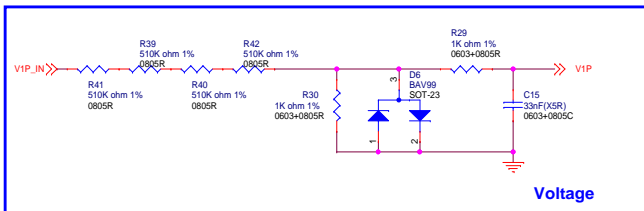
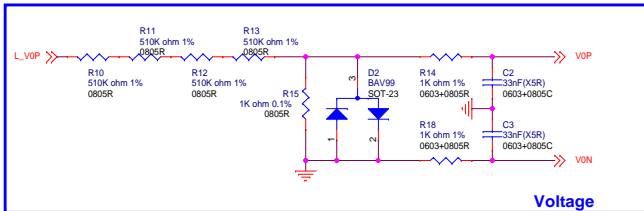
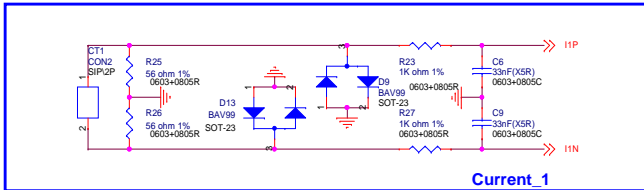
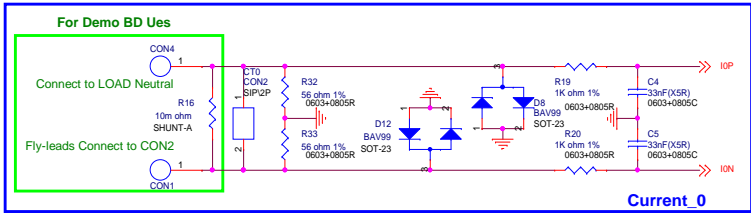
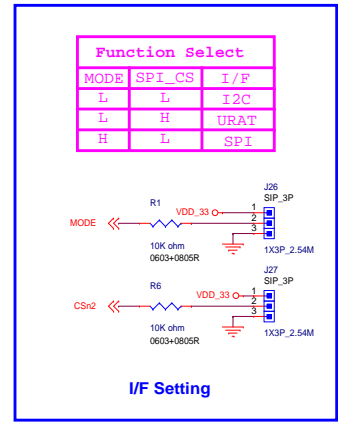
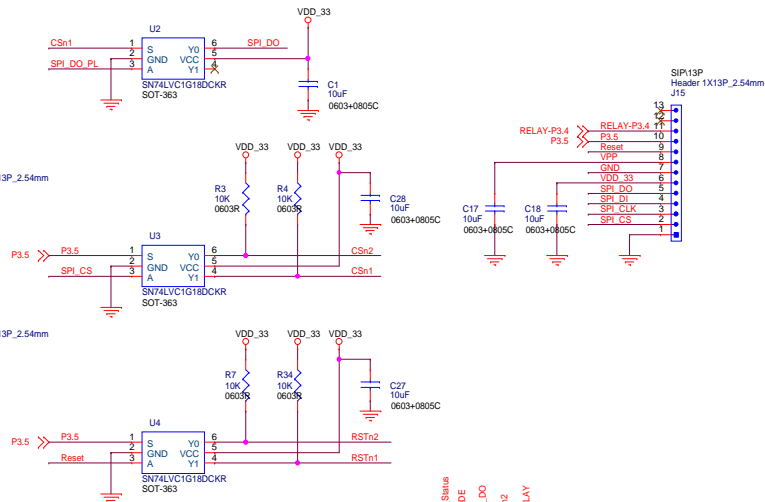
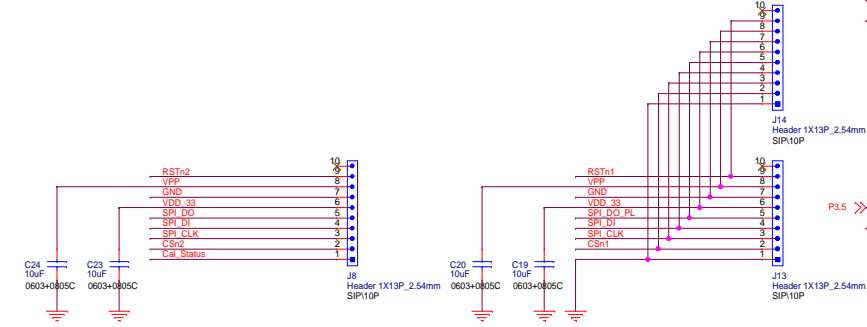
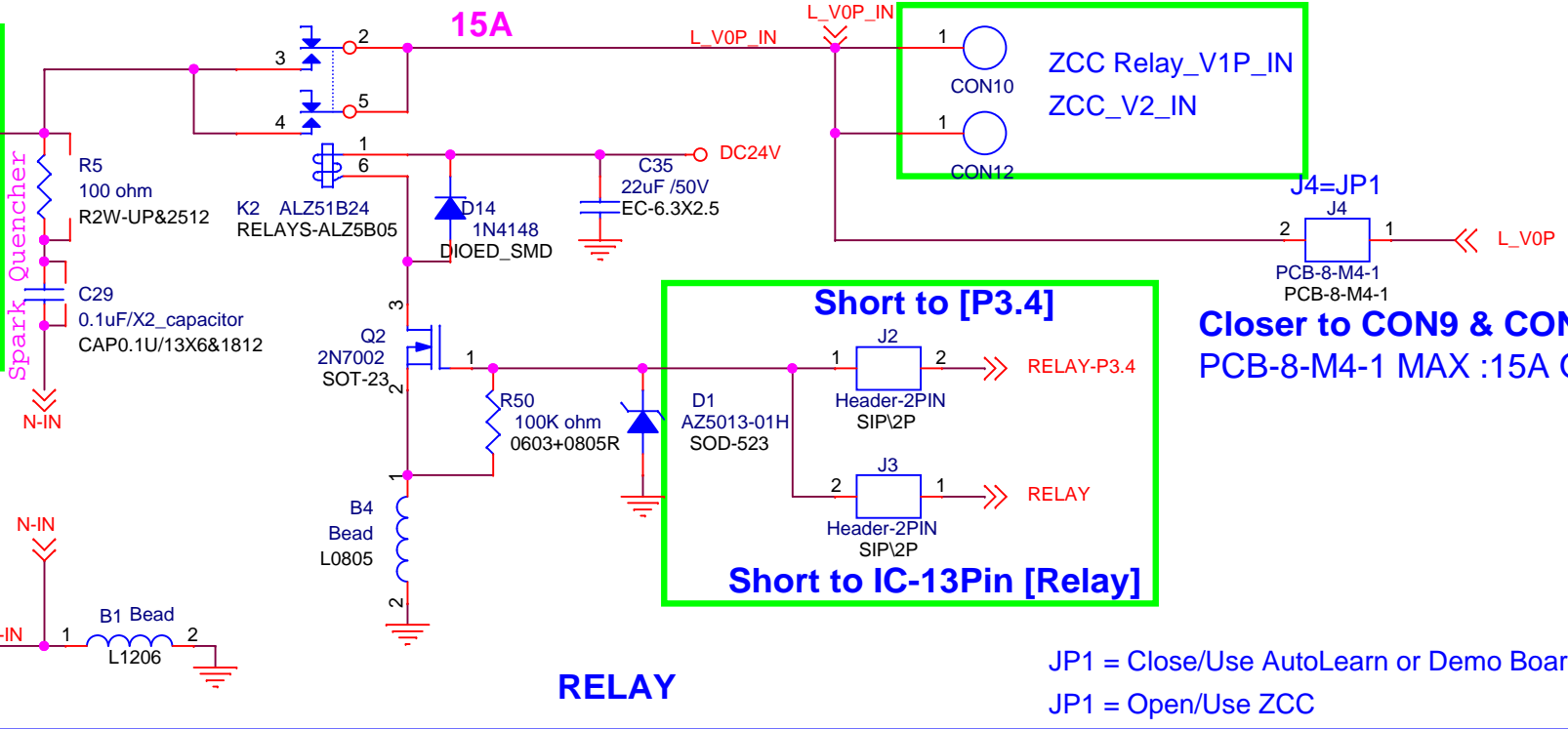
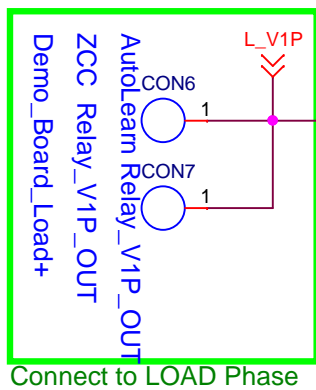
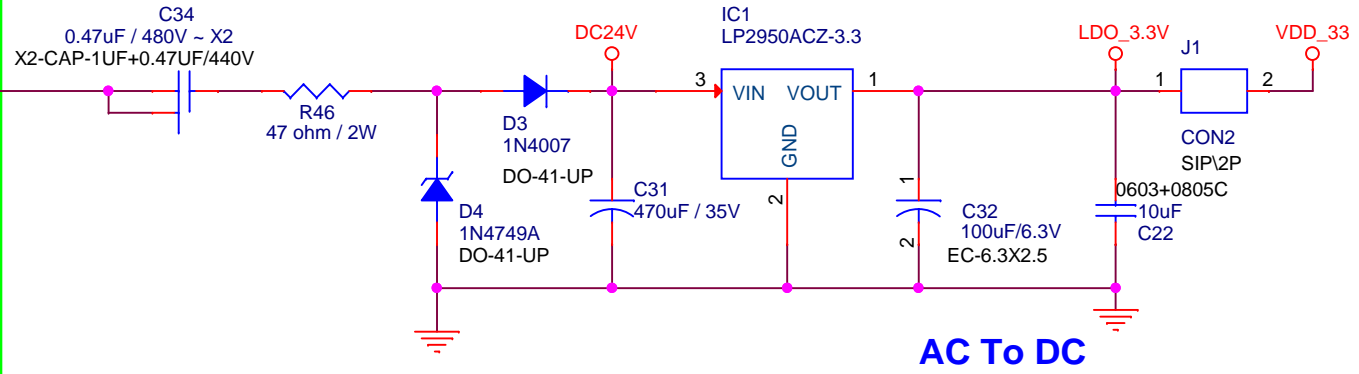
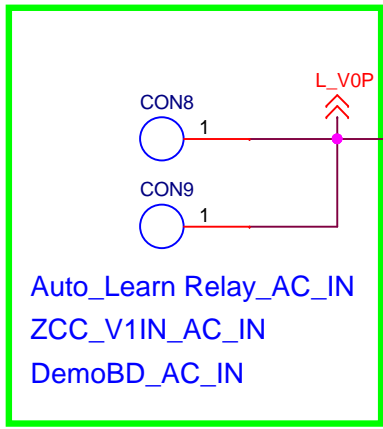


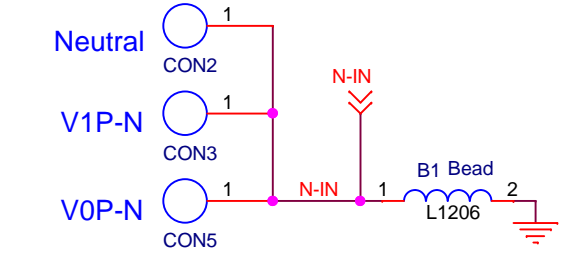
for PL7411

for PL7223





Closer to CON9 & CON8
PCB-8-M4-1 MAX :15A OK

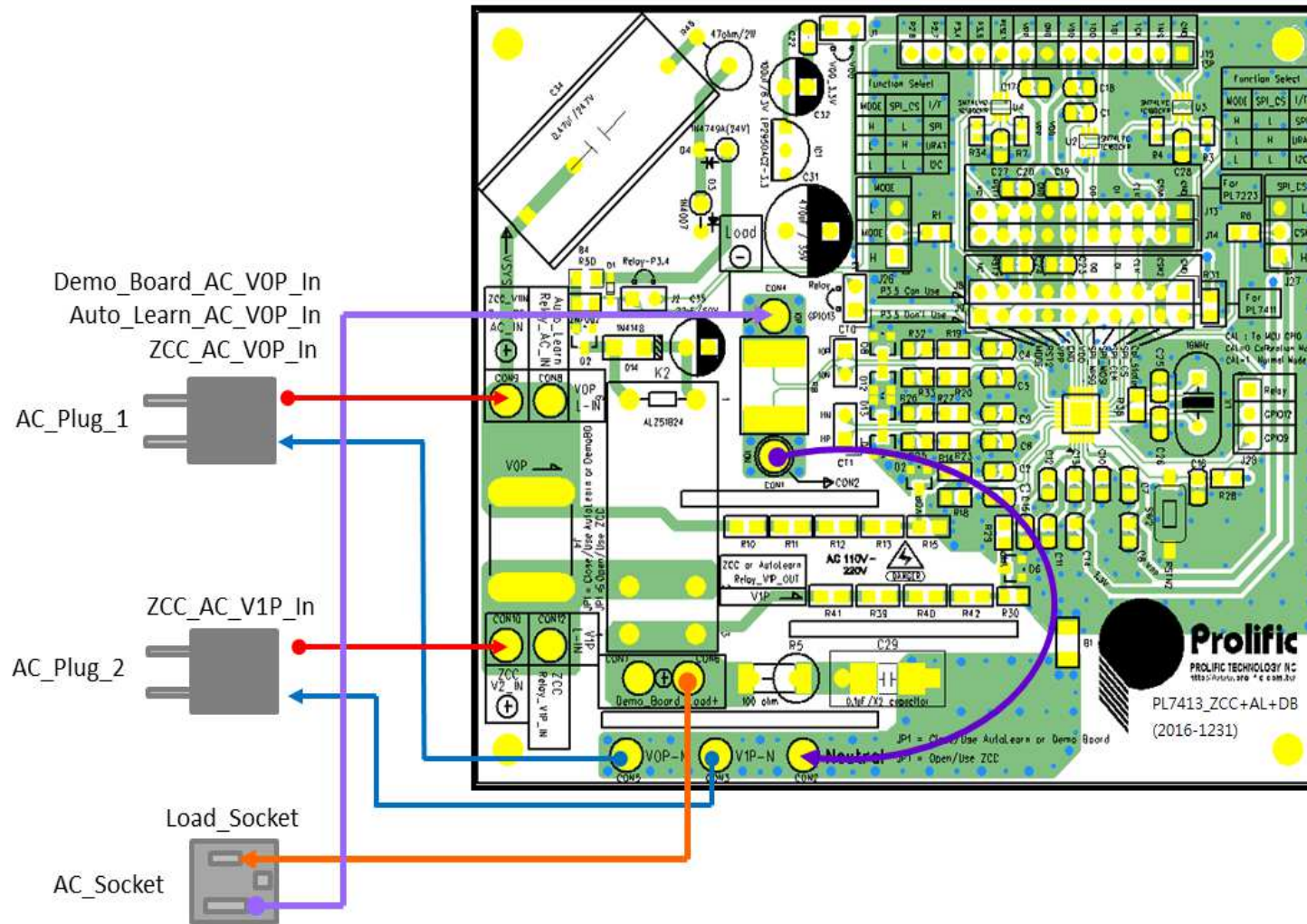


AC SOURCE

Joshua

Title		
PL7413_ZCC+AL+DB		
Size	Document Number	Rev
A	<Doc>	A
Date:	Friday, January 06, 2017	Sheet 1 of 1

- Use Demo_Board Function : AC_Plug_1 Phase 接 CON9 (or CON8) AC_Plug_1 Neutral接 CON5 /
Loading : AC_Socket Phase 接 CON6 (or CON7) ; AC_Socket Neutral 接 CON4 ; J4 Short
- Use Auto Learn Function : AC_Plug_1 Phase 接 CON9 (or CON8) AC_Plug_1 Neutral接 CON5 / ; J4 Short
- Use ZCC Function : AC_Plug_1 Phase 接 CON9 (or CON8) AC_Plug_1 Neutral接 CON5 /
AC_Plug_2 Phase 接 CON10 (or CON12) AC_Plug_1 Neutral接 CON3 ; J4 OPEN



Joshua

Title			PL7413_ZCC+AL+DB
Size	Document Number	Rev	
C	<Doc>	A	
Date:	Friday, January 06, 2017	Sheet	1 of 1