

Features

- 4-Channel 24-bit sigma-delta ADC
- Internal 3.3V to 1.8V cap-less LDO
- Internal 1.2V cap-less VREF (w/ 0.1% accuracy/full temp. range after trim)
- Built-in 1X ~ 32X PGA (w/ 0.1% accuracy/full temp. range after calibration)
- Internal 16MHz RC OSC (w/ 0.2% accuracy/full temp. range after trim)
- Internal VDT/POR and temperature sensor
- Built-in FIR filter for each individual channel
- Channel phase alignment
- Programmable 48-bit DSP engine with
 - 512 x 32 program space
 - 128 x 48 data space
 - 64 x 48 output buffer
 - Built-in fix point to float-point converter
- 8KB OTP with 2 banks DSP code, DSP CFG and SYS CFG
- Supports I2C/SPI/UART (UART supports auto baud-rate mode)
- Supports 38KHz IR carrier removed
- Supports up to 9 GPIOs which can be directly controlled by DSP
- Small package size: 4x4 QFN24

Typical Applications

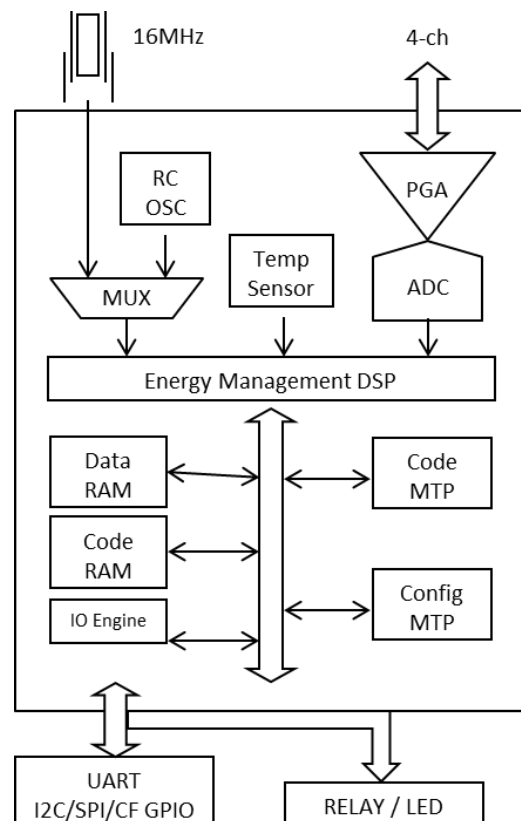
- Smart Plug/Strip/PDU
- Protection Device/Home Appliance
- Power Monitor, Hardware Monitor

General Description

The PL7413 is a highly integrated power/energy monitoring Analog Front End (AFE) IC that measures electricity-related data for power usage measurement applications. It has built-in 8-channel ADC and a programmable DSP which can adapt to different applications such as metering, power protection and Master/Slave.

The PL7413 has a built-in MTP that stores the chip configuration, DSP code and calibration data. It provides SPI slave interface and can be used for calibration and programming data or DSP code. MCU can be accessed through SPI interface.

The PL7413 can diagnose the electricity-related data to identify overloading, short circuit, leakage current and arcing condition for further power protection features. It also provides a flexible architecture, low system BOM cost and programmable solution, to help manufacturers minimize development efforts and design a versatile and flexible product.



Block Diagram

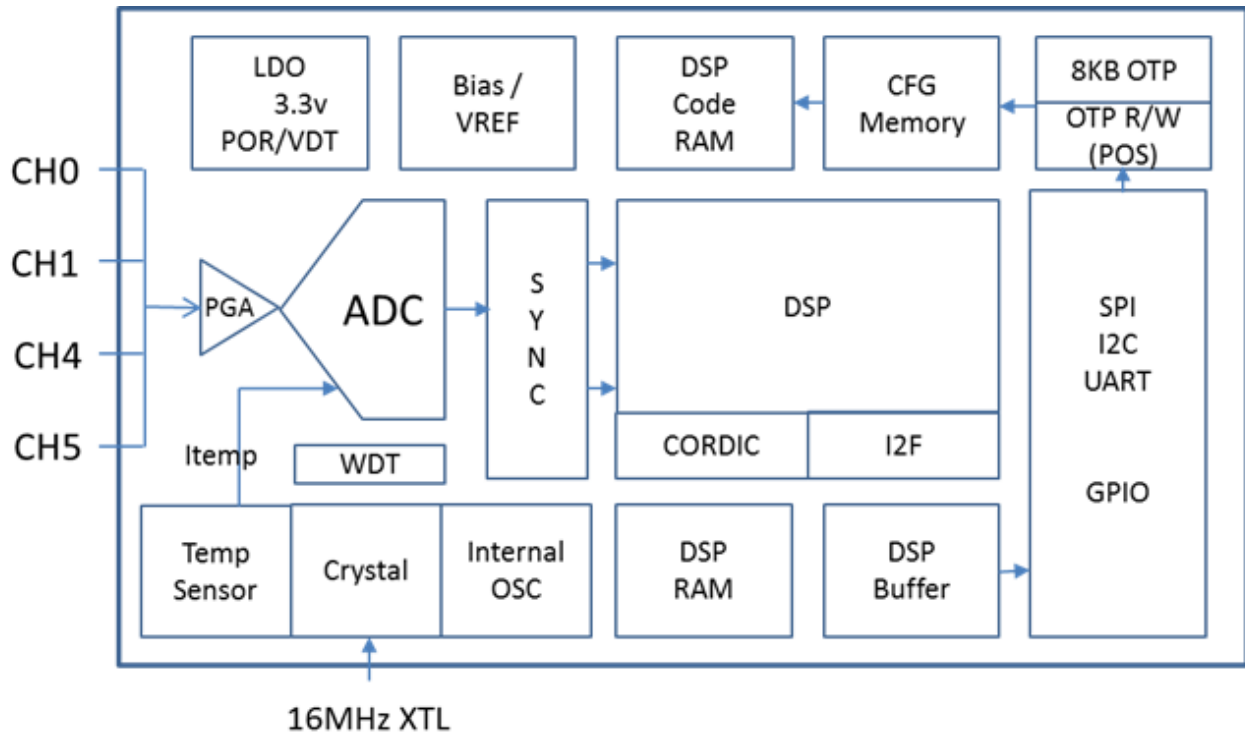


Figure 1-1: Function Block Diagram

Table of Contents

1. Detailed Features	7
1.1 General Features	7
1.2 ADC	7
1.3 DSP	7
1.4 Clock System	7
1.5 SPI Interface	8
1.6 I2C Interface	8
1.7 UART	8
1.8 GPIO	8
2. Pin Out Diagram and Description	9
2.1 24-Pin QFN Pin Diagram	9
2.2 24-Pin QFN Pin-Out Description	10
3. Electrical Characteristic	11
3.1 Absolute Maximum Rating	11
3.2 Recommended Operation Conditions	11
3.3 AC/DC Characteristics	11
4. Function Description	13
4.1 AFE (Analog Front-End)	13
4.2 Power Protection	13
4.2.1 Power Protection Operation	13
4.2.2 Delay Time to switch off relay	14
5. Interface	15
5.1 SPI Interface	15
5.1.1 SPI Command	15
5.1.2 SPI Mode	16
5.1.3 SPI Timing	18
5.1.4 SPI with CRC	19
5.1.5 SPI without CRC	20
5.1.6 SPI OTP one byte with CRC	21
5.2 I2C Interface	22
5.2.1 I2C Write Sequence	22
5.2.2 I2C Command	23
5.2.3 I2C OTP one byte with CRC	24
5.3 UART	25
5.3.1 UART Config	25
5.3.2 UART Slave ID	25
5.3.3 UART Command	26
5.3.4 UART without CRC	27
5.3.5 UART OTP one byte with CRC	27
5.4 GPIO	28
6. Memory Mapping Overview	29
6.1 MTP memory mapping	30
7. Power-On Sequence (POS)	32

7.1	POS example	33
8.	Configuration (CFG) Registers	34
9.	Package Outline Dimension	54
9.1	24-Pin QFN Package (4x4).....	54
10.	ORDERING INFORMATION	55

List of Figures

Figure 1-1: Function Block Diagram.....	2
Figure 2-1: PL7413 Pin Diagram (QFN24).....	9
Figure 4-1: Description of long/short time protection ($I_{LOAD} = I_{LS/ST}$).....	14
Figure 4-2: Description of long/short time protection ($I_{LOAD} > I_{LS/ST}$).....	14
Figure 5-1: Connection scheme of SPI interface	15
Figure 5-2(a): SPI Transfer Format	16
Figure 5-3(b): SPI Transfer Format	16
Figure 5-4(c): SPI Transfer Format	17
Figure 5-5(d): SPI Transfer Format	17
Figure 5-6: SPI Mode	17
Figure 5-7: SPI Timing	18
Figure 5-8: Tckh for OTP	19
Figure 5-9: SPI with CRC	19
Figure 5-10: SPI without CRC.....	20
Figure 5-11: SPI OTP one byte with CRC	21
Figure 5-12 waveform of I2C	22
Figure 5-13: I2C Write Sequence (1)	22
Figure 5-14: I2C Write Sequence (2)	23
Figure 5-15: I2C with CRC	24
Figure 5-16: UART without CRC	27
Figure 5-17: UART OTP one byte with CRC	27
Figure 6-1: PL7413 Memory Mapping	29
Figure 6-2: MTP Memory Mapping Diagram.....	31
Figure 7-1: POS Sequence	32
Figure 7-2: POS Sequence Example.....	33
Figure 9-1: PL7413 Package Outline Diagram (QFN24 4x4).....	54

List of Tables

Table 2-1 : PL7413 QFN24 Pin Name Table.....	10
Table 3-1 : Absolute Maximum Rating	11
Table 3-2 : Recommended Operation Conditions	11
Table 3-3 : AC/DC Characteristics	11
Table 4-1 : AFE Measurement Parameters.....	13
Table 8-1 : System Registers	34
Table 8-2 : AFE Related Registers.....	44
Table 8-3 : Analog Configuration Registers	47
Table 10-1 : Ordering Information	55

1. Detailed Features

1.1 General Features

- 4-Channel 24-bit sigma-delta ADC
- H/W DSP for power parameter calculation
- DSP Code upgradeable by MCU
- Low power consumption
 - 4.6mA@3.3V, full operation
 - 2.3mA@3.3V, low power mode
- Operation temperature range: -20 °C to +85 °C
- Small package size: 4x4 QFN24

1.2 ADC

- 24-bit ADC with PGA
- PGA Gain 1X ~ 32X
- 4-Channel individual decimator
- 3-Channel differential and 1-Channel single-end input
- Built-in internal 1.2V VREF for ADC measurement
- VREF accuracy is +/- 0.2%
- Channel data phase aligner
- Built-in FIR filter for each channel

1.3 DSP

- Programmable 48-bit DSP engine with
 - 512 x 32 program space
 - 128 x 48 data space
 - 64 x 48 output buffer
- 8KB OTP with 2 banks DSP code, DSP CFG and SYS CFG
- Supports RMS, active power, reactive power, apparent power, Power factor, KWH calculation
- SAG/SWELL, Over-Current, Over-Watt, Leakage Protection
- THD/Harmonic Calculation
- Supports AC/DC measurement (possible to dynamic adjust by MCU)
- Built-in fix-point to IEEE 754 floating point format converter

1.4 Clock System

- Supports up to 16MHz external crystal input
- Built-in internal 16MHz +/- 5% OSC
- Anti-fail clock auto switch
- System clock divider for each block
- Built-in internal watch-dog timer with IO interrupt output

1.5 SPI Interface

- SPI Slave mode supports mode 0, mode 1, mode 2, and mode 3
- Supports single and multi-byte read/write
- Supports CRC data check

1.6 I2C Interface

- I2C interface
- Two hardware slave ID selection for cascade application
- Software ID programmable
- Supports single and multi-byte read/write
- Supports CRC data check

1.7 UART

- Auto baud-rate learning
- Two hardware slave ID selection for cascade application
- Software ID programmable
- Supports single and multi-byte read/write
- Supports CRC data check
- Supports UART timeout
- Supports IR 38KHz carrier removed
- UART master mode for auto data report

1.8 GPIO

- Programmable IN/OUT control
- Selectable control by DSP or register setting

2. Pin Out Diagram and Description

2.1 24-Pin QFN Pin Diagram

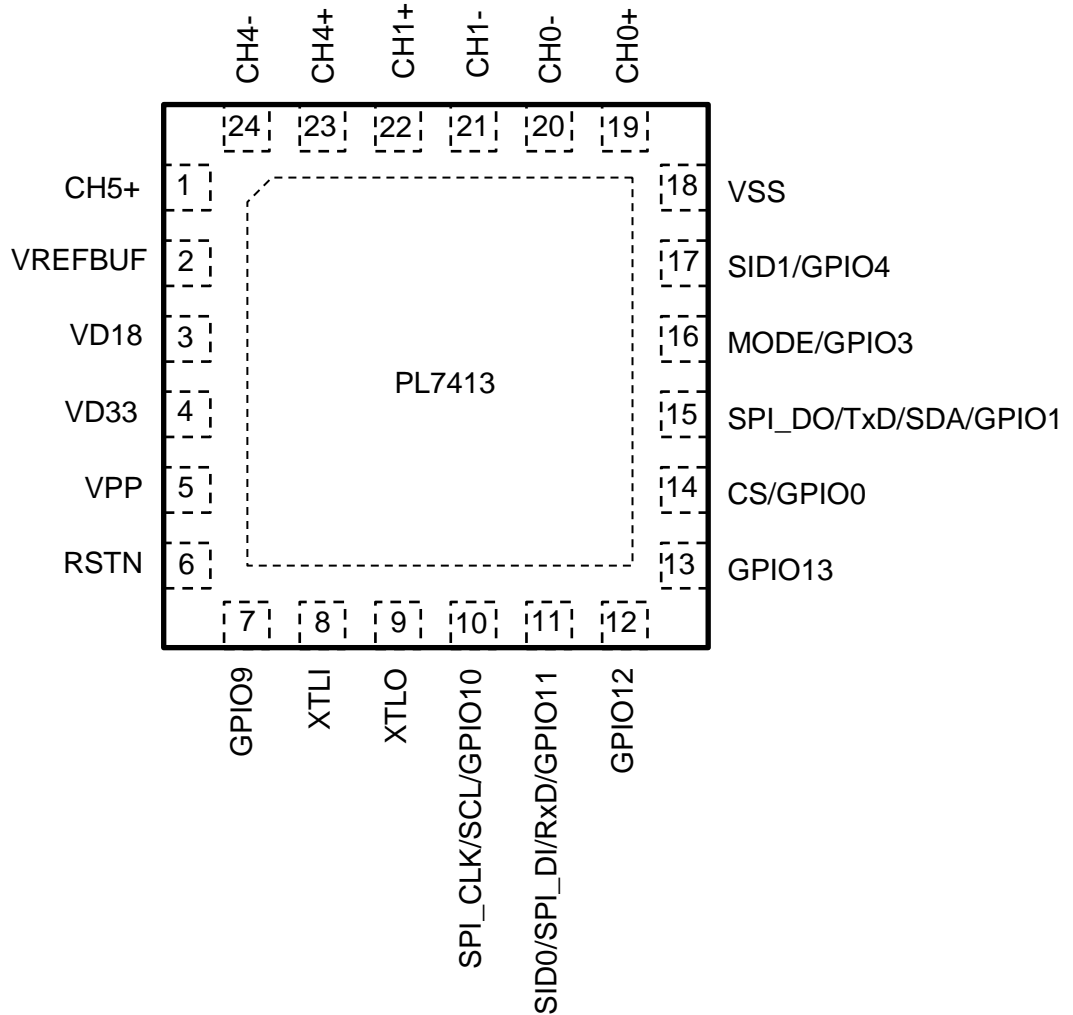


Figure 2-1: PL7413 Pin Diagram (QFN24)

2.2 24-Pin QFN Pin-Out Description

Table 2-1 : PL7413 QFN24 Pin Name Table

Pin #	Pin Name	Type	Pin Description
1	CH5	Analog Input	Analog CH5 differential input
2	VREFBUF	Analog Output	The reference value is 1.2V.
3	VD18	Power	1.8V LDO output (Analog)
4	VD33	Power	VDD33 output
5	VPP	Power	OTP 6.5V programming power input
6	RSTN	Digital Input/Output	Reset input (active low)
7	GPIO9	Digital Input/Output	GPIO#9
8	XTLI	Crystal Input	16MHz Crystal input pad
9	XTLO	Crystal Output	16MHz Crystal output pad
10	SP_CLK/SCL/GPIO10	Digital Input/Output	Multi-function IO, GPIO#10
11	SID0/SPI_DI/RxD/ GPIO11	Digital Input/Output	Multi-function IO, GPIO#11
12	GPIO12	Digital Input/Output	GPIO#12
13	GPIO13	Digital Input/Output	GPIO#13
14	CS/GPIO0	Digital Input/Output	Multi-function IO, GPIO#0
15	SPI_DO/TxD/SDA/GPIO1	Digital Input/Output	Multi-function IO, GPIO#1
16	MODE/GPIO3	Digital Input/Output	Multi-function IO, GPIO#3
17	SID1/GPIO4	Digital Input/Output	Multi-function IO, GPIO#4
18	VSS	Ground	Digital Ground
19	CH0+	Analog Input	Analog CH0 differential input +
20	CH0-	Analog Input	Analog CH0 differential input -
21	CH1-	Analog Input	Analog CH1 differential input -
22	CH1+	Analog Input	Analog CH1 differential input +
23	CH4+	Analog Input	Analog CH4 differential input +
24	CH4-	Analog Input	Analog CH4 differential input -

3. Electrical Characteristic

3.1 Absolute Maximum Rating

Table 3-1 : Absolute Maximum Rating

Parameter	Max Value
AVDD3	4.0V
DVDD3	4.0V
Analog input	-0.5V ~ +0.5V
Digital I/O input	-0.3V ~ AVDD + 0.3V
Input Current (Digital IO)	20uA
Output Current (IO Pin)	6mA
Operation Temperature	-20°C ~ 85°C
Storage Temperature	-40°C ~ 150°C
ESD	4KV(HBM)/500V(MM)

3.2 Recommended Operation Conditions

Table 3-2 : Recommended Operation Conditions

Parameter	Max Value
AVDD3	3.0V ~ 3.3V
DVDD3	3.0V ~ 3.3V
VPP	6.5
Analog input	-0.3V ~ 0.3V
XTL	16MHz

3.3 AC/DC Characteristics

Table 3-3 : AC/DC Characteristics

(All parameters apply at VDD=3.3 V±10%, AGND=DGND=0 V, Internal Reference, XTAL=8MHz, TMIN to TMAX = - 20°C to +85°C.)

Parameters	Test Condition	Min.	Typ.	Max.	Units
VAIN	ADC input (differential)	-0.45		0.45	V
	ADC Single-end w buffer	0.2		0.9	V
	ADC Single-end wo buffer	-0.45		0.45	V
PGA	Gain 1X, 2X, 4X, 8X, 16X, 32X				
VADC	PGA=1X	-320		320	mV
	PGA=2X	-160		160	mV
	PGA=4X	-80		80	mV
	PGA=8X	-40		40	mV
	PGA=16X	-20		20	mV

	PGA=32X	-10		10	mV
ADC	Data output		24		Bits
	Data range	-2 ²²		2 ²²	
	OSR selection: 64/128/256				
	Latency selection	4		7	
	ADC noise free bits		14.5		Bits
ODR	ADC output data rate (depends on channel mux setting)			1600	SPS
OSC					
Fosc	Internal OSC frequency		16		MHz
Icc_osc					uA
	Trimming step		20		KHz
	Internal OSC stability (-20~85C)				%
XTL PAD			16		MHz
	Duty cycle		50		%
	Crystal start-up time				us
IO PAD					
VIH		2.3			V
VIL				1	V
VOH		3.0			V
VOL				0.3	V
	I2C speed@16MHz		400		KHz
	SPI speed@16MHz		2		MHz
	UART baud rate@16MHz		115		KHz
Power Consumption					
Icc	2 LED / 2 ambient 200 samples second				mA
	2 LED / 2 ambient 100 samples second				mA
	2 LED / 2 ambient 50 samples second				mA

4. Function Description

4.1 AFE (Analog Front-End)

The PL7413 can work as an AFE (Analog Front-End) with SPI interface. It can measure the V/I real-time data, V/I rms, Watt, VA, PF, and line frequency. Users can utilize this information for further energy management. The following table depicts the parameters that can be accessed through the PL7413 SPI interface.

Table 4-1 : AFE Measurement Parameters

Parameter	Description
V_{RMS}	RMS value of voltage
I_{RMS}	RMS value of current
Power	Active power value
PF	Power Factor
Frequency	Line Frequency

4.2 Power Protection

The power protection function of PL7413 prevents overload condition that may cause equipment to overheat or catch fire. When the load current exceeds the rated current (or pre-configured current threshold, $I_{LT/ST}$) for a specified time, the relay will be switched off to prevent overheat condition. Both the overload threshold current and delay time to switch off relay can be configured through the software provided by Prolific.

4.2.1 Power Protection Operation

The power protection operation is shown in Figure 4-1 and Figure 4-2:

- If the load current (I_{LOAD}) is less than or equal to $I_{LT/ST}$, the relay is always ON.
- If the load current (I_{LOAD}) is larger than $I_{LT/ST}$, the delay time (T_{OFF}) to switch off relay will be shorter. Refer to section 4.2.2 to calculate (T_{OFF}).
- Both the $I_{LT/ST}$ and $T_{LT/ST}$ can be configured by the application software provided by Prolific.

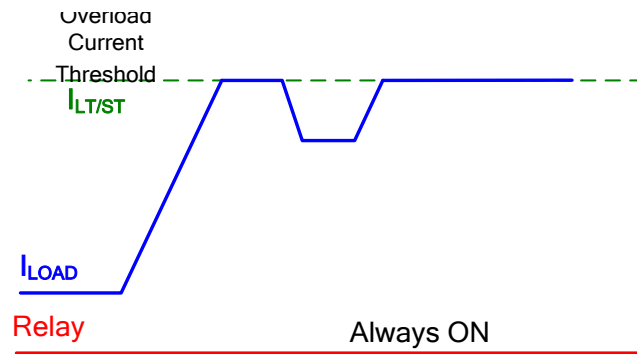


Figure 4-1: Description of long/short time protection ($I_{LOAD} = I_{LS/ST}$)

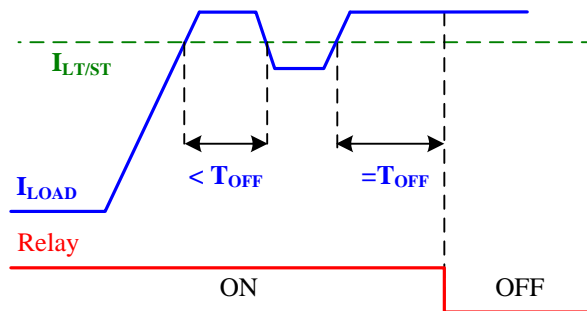


Figure 4-2: Description of long/short time protection ($I_{LOAD} > I_{LS/ST}$)

4.2.2 Delay Time to switch off relay

The delay time, T_{OFF} , can be calculated by the following equation:

$$T_{OFF} = T_{LT/ST} \times \left(\frac{I_{LT/ST}}{I_{LOAD}} \right)^2$$

For example,

- Short time threshold current (I_{ST}) is set as 30A
- T_{ST} is set as 5sec
- Exact load current is 50A.

The delay time to switch off relay is:

$$T_{OFF} = 5 \times \left(\frac{30}{50} \right)^2 = 1.8 \text{sec}$$

5. Interface

➤ IO Mode Selection

IO Mode is latched when resetn is from low to high.

- i2c_en = [MODE pin, CS pin]= 2'b00
- uart_en = [MODE pin, CS pin]= 2'b01
- spi_en = [MODE pin, CS pin]= 2'b10
- gpio_en = [MODE pin, CS pin]= 2'b11

5.1 SPI Interface

The SPI bus is the interface to access internal memory/register/energy information of PL7413. The SPI interface of PL7413 is operated at slave mode; consequently, the external SPI device should serve as the SPI master. As shown in below diagram, the external SPI master sends Chip Select and Clock signal to SPI slave of PL7413. Data is written through SPI_DI and read through SPI_DO.

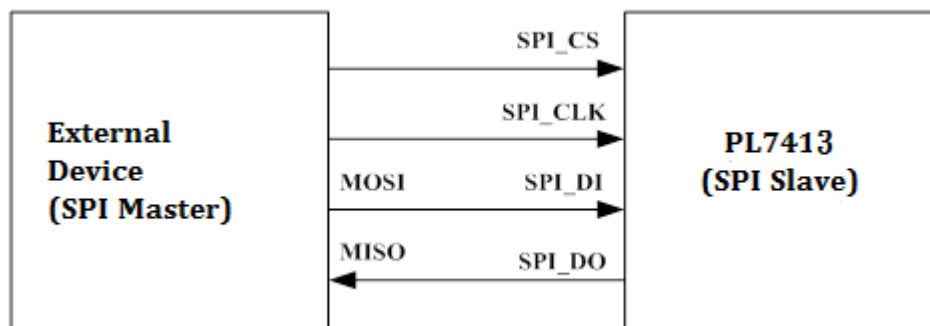


Figure 5-1: Connection scheme of SPI interface

5.1.1 SPI Command

➤ spi_cmd[7]: inc_adr_dis 1: disable address increment

Ex: checking whether dsp is ready. The address can be fixed.

dsp_status(cfg addr = 0x390a).

If DSPRDY is from 0 to 1, then master can read out dsp outbuffer data.

➤ spi_cmd[6:4]: read/write command

- spi_cmd[6:4] = 3'h1 for read with crc enable
- spi_cmd[6:4] = 3'h2 for write with crc enable
- spi_cmd[6:4] = 3'h3 for read with crc disable
- spi_cmd[6:4] = 3'h4 for write with crc disable

➤ spi_cmd[3:0]: Read/Write package number

- case1: crc enable, set to 4, master must send out 4byte data + 1byte crc. Then slave will send out internal crc value to master.
- case2: crc disable, set to 4, master must send out 4byte data. Then slave will not send out internal crc value to master.

5.1.2 SPI Mode

Default SPI is at mode3 and can be changed at power on sequence (OTP value).

➤ *spi_con = 0x3837(Must write the setting in OTP-CFG Bank0 at the start).*

- Bit7 = cpol, clock polarity
- Bit6 = cpha, clock phase
- Bit5 = spr1, to select spi master clk
- Bit4 = spr0, to select spi master clk
- Bit3~0: no use
- SPI master clk = fclk/2 (00), fclk/4(01), fclk/8(10), fclk/16(11)

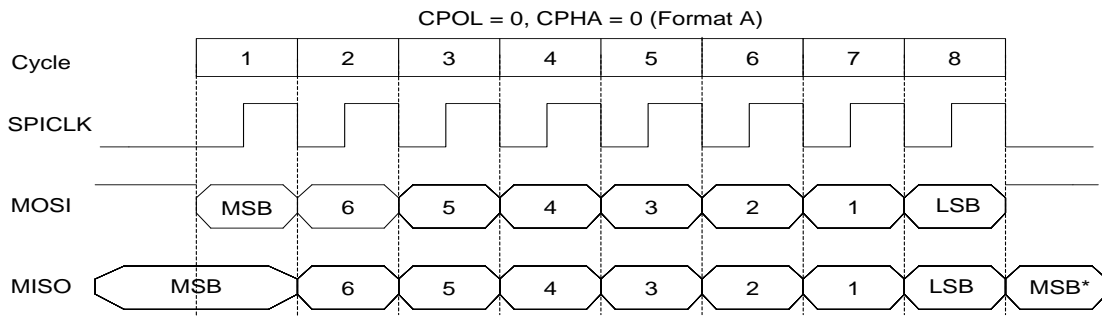


Figure 5-2(a): SPI Transfer Format

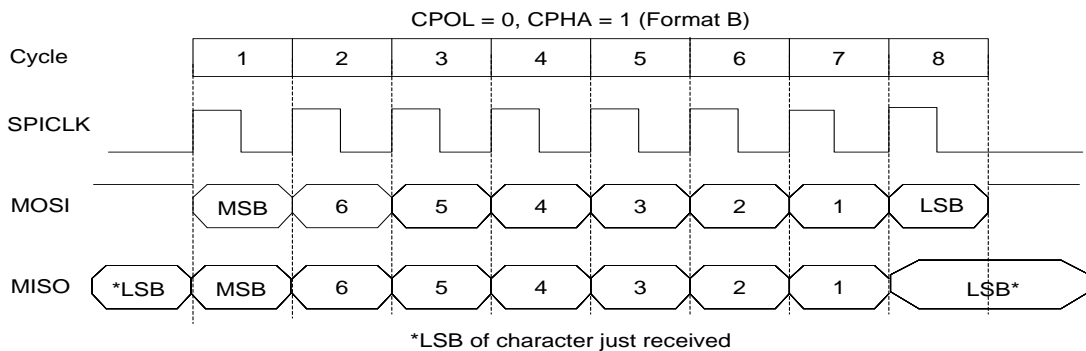


Figure 5-3(b): SPI Transfer Format

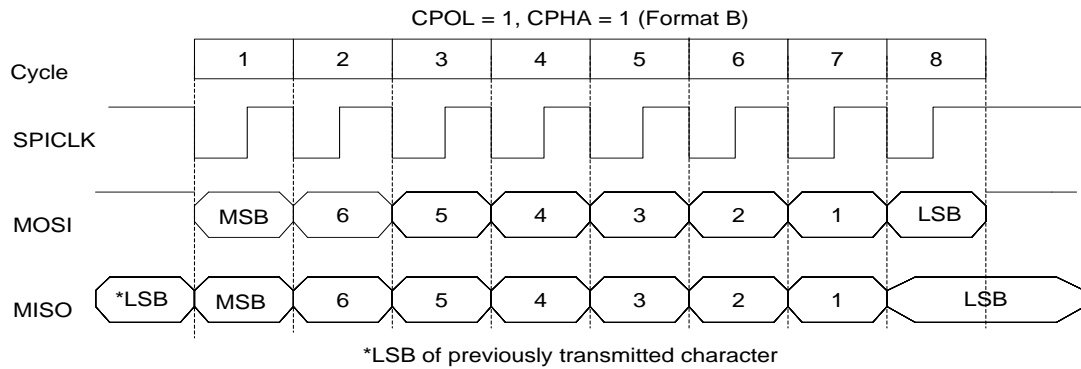


Figure 5-4(c): SPI Transfer Format

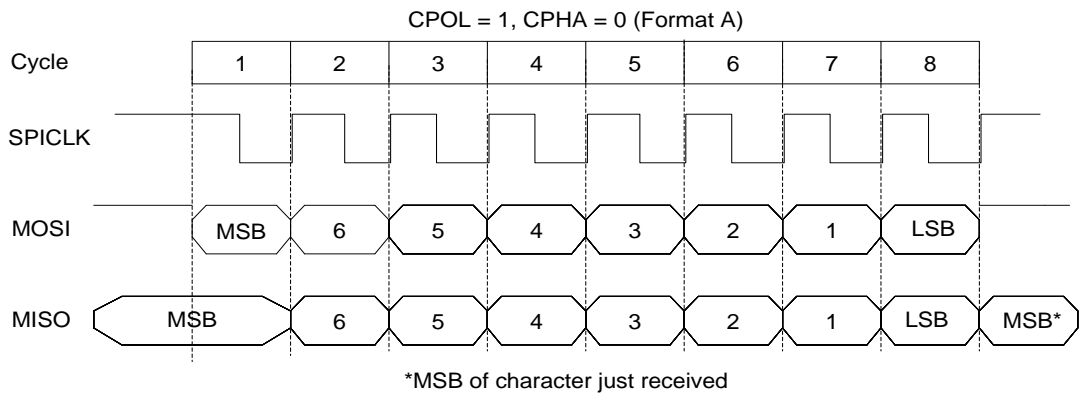


Figure 5-5(d): SPI Transfer Format

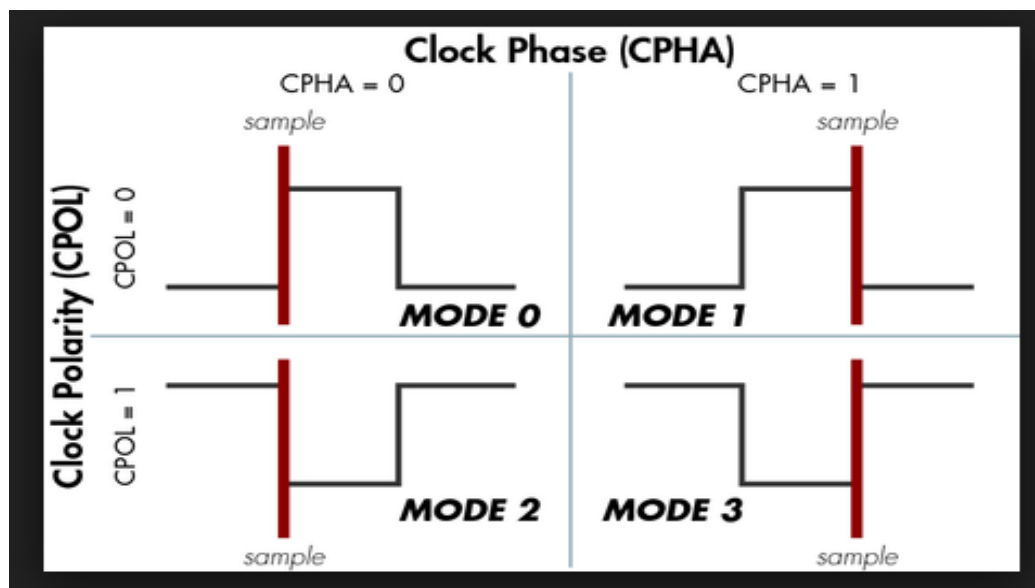


Figure 5-6: SPI Mode

- When length = 0, then hardware (IC) will set the internal length equal to d'96 so fw can read the data of dsp outbuf by 4 times ($96 \times 4 = 384$ bytes) with crc.
- When crc is disabled, the length setting is ignored, and the state machine is left when spi_cs is from 0 to 1.
- If master crc is not the same as slave crc, then slave will go to error state, master must control spi_cs from 0 to 1 to let slave leave error state to idle state.
- When write to OTP memory, master must wait OTP is ready(0x80), then can continue writing the next byte.

5.1.3 SPI Timing

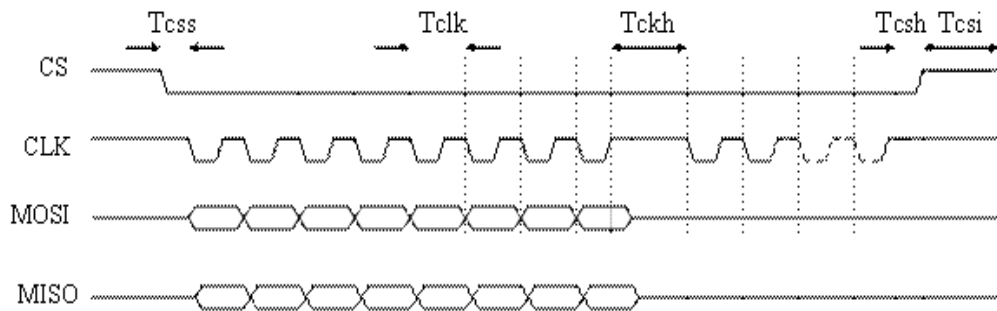


Figure 5-7: SPI Timing

- $T_{css} \geq 3$ system clk
- $T_{csh} \geq 3$ system clk
- $T_{csi} \geq 3$ system clk
- $T_{ckh} \geq 1.5$ spi_clk (about $1.5 \times 4 = 6$ system clk) for ram, cfg, buf.
- $T_{clk} \geq 4$ system clk
- T_{ckh} for OTP

The first data output of OTP IP needs to be larger than 300ns. So when reading OTP, the T_{ckh} , after finishing to send ADDR1, must be larger than $(1.5 \text{ spi_clk} + 300\text{ns})$.

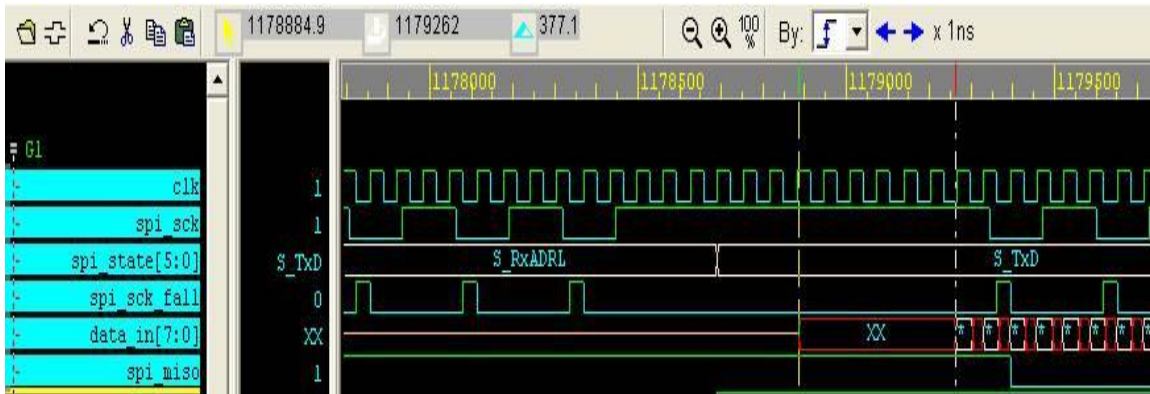


Figure 5-8: Tckh for OTP

5.1.4 SPI with CRC

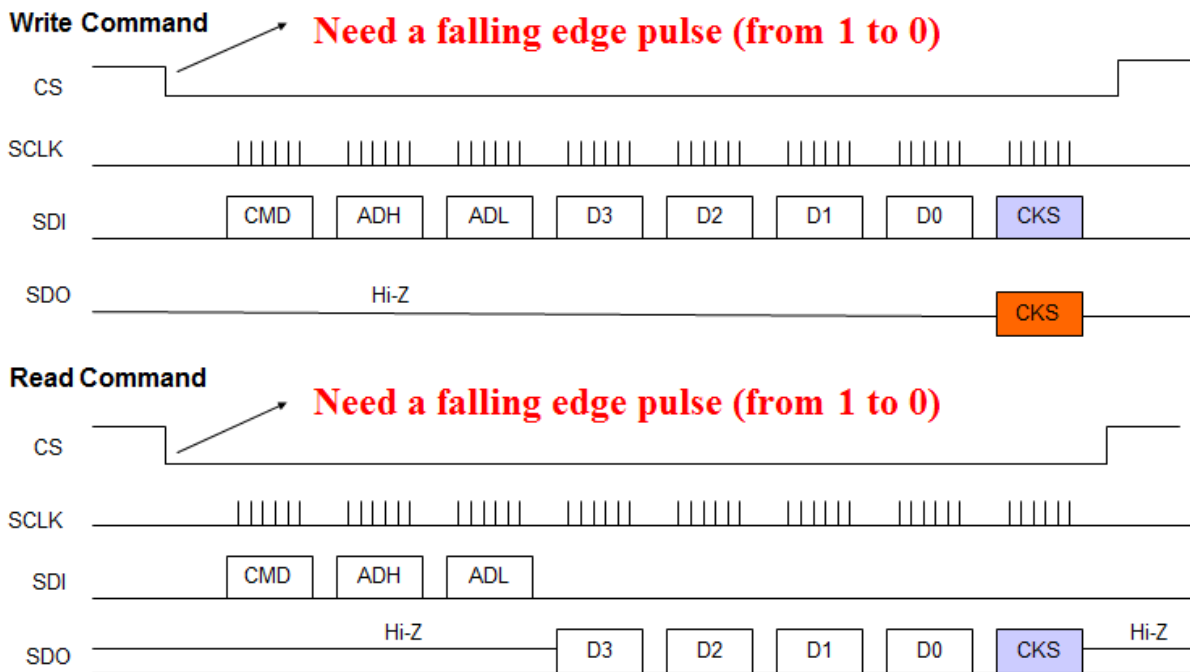
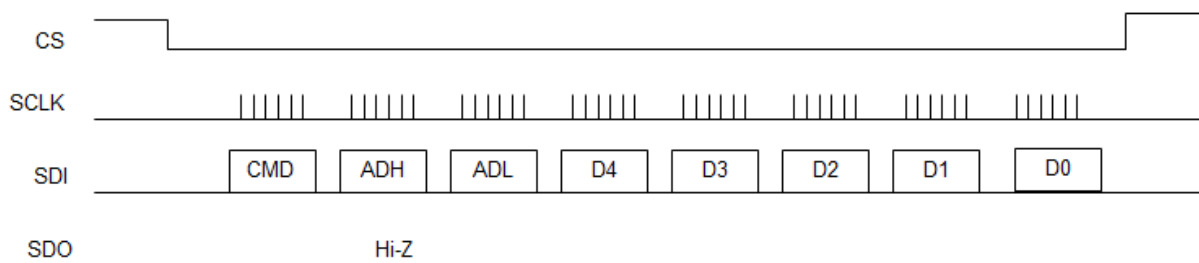


Figure 5-9: SPI with CRC

5.1.5 SPI without CRC

Write Command



Read Command

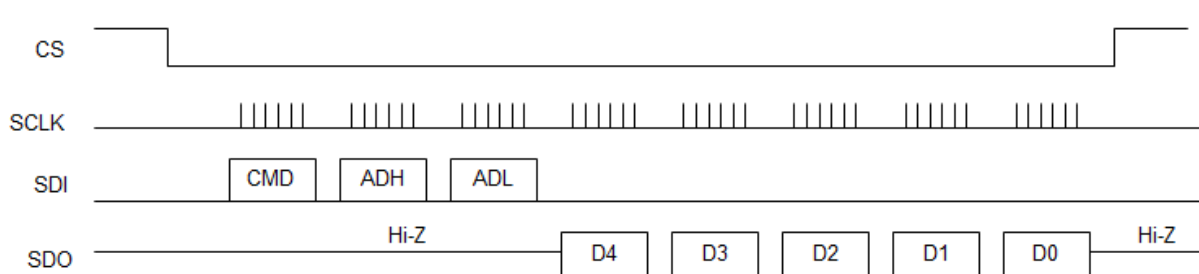


Figure 5-10: SPI without CRC

5.1.6 SPI OTP one byte with CRC

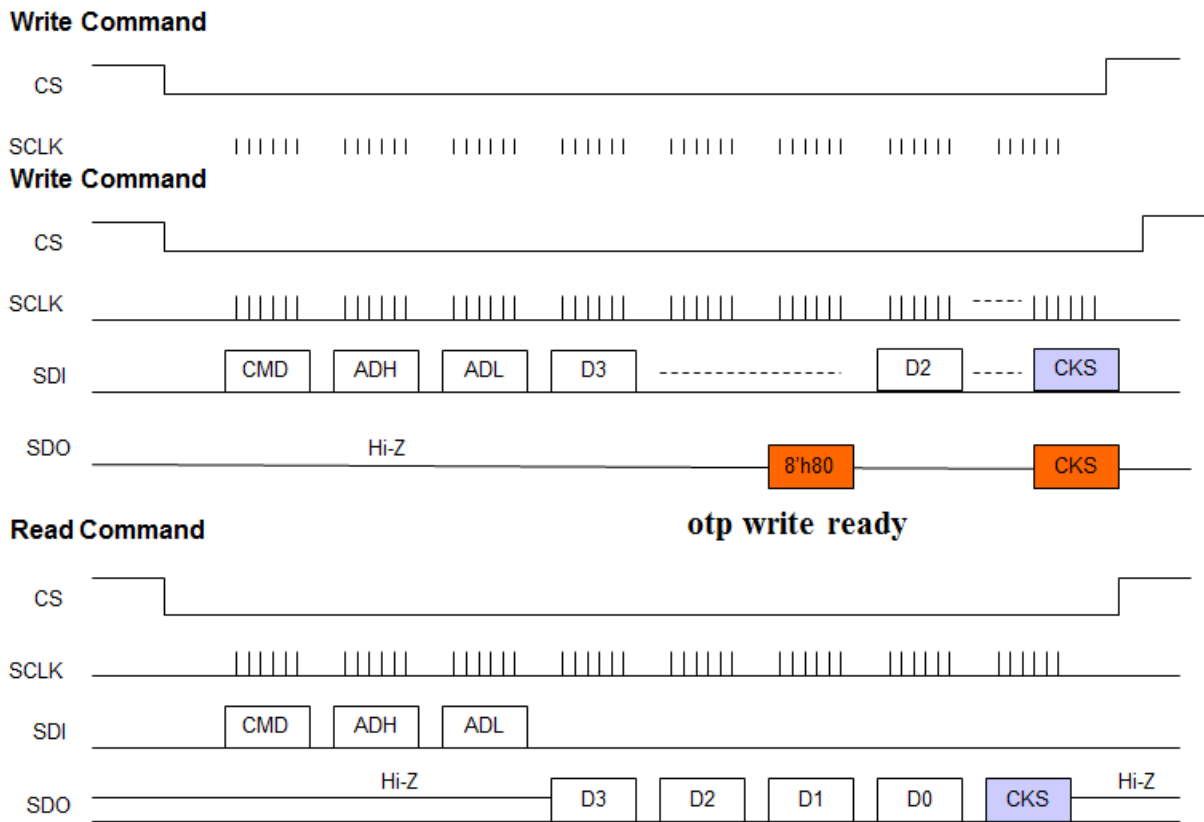


Figure 5-11: SPI OTP one byte with CRC

5.2 I2C Interface

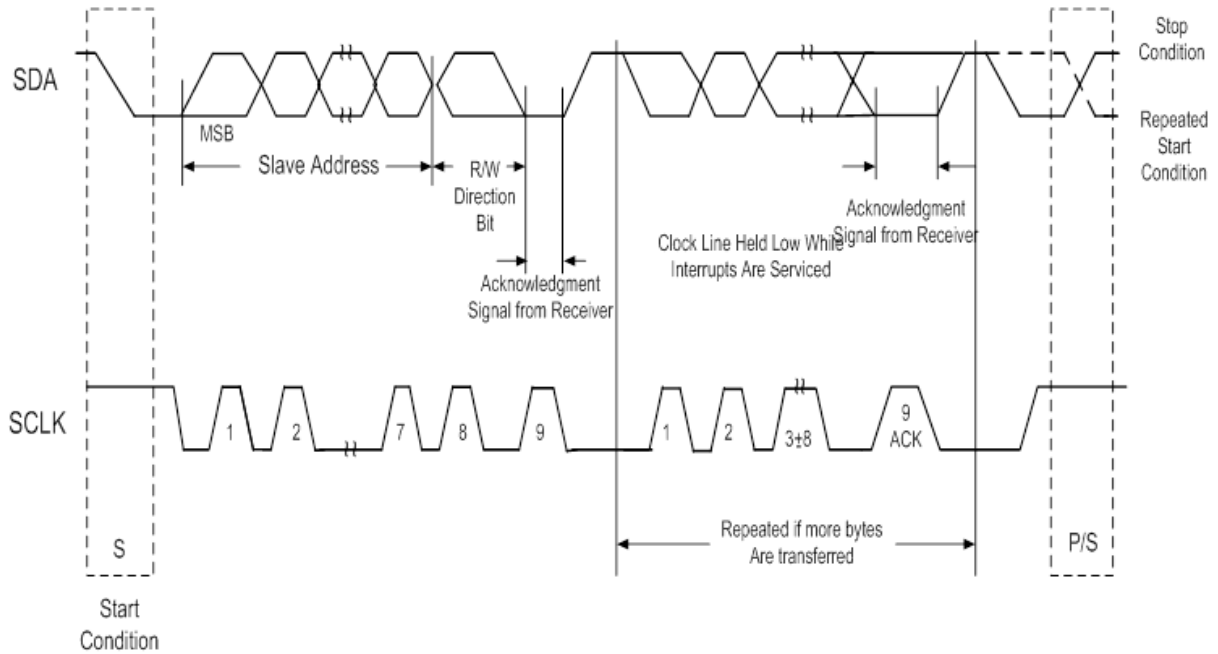


Figure 5-12 waveform of I2C

5.2.1 I2C Write Sequence

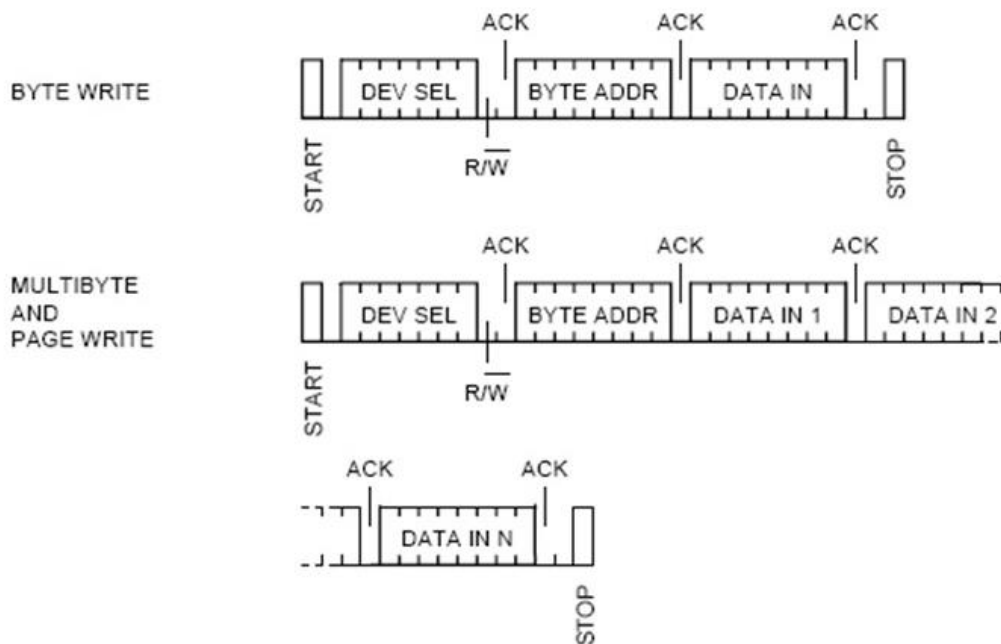


Figure 5-13: I2C Write Sequence (1)

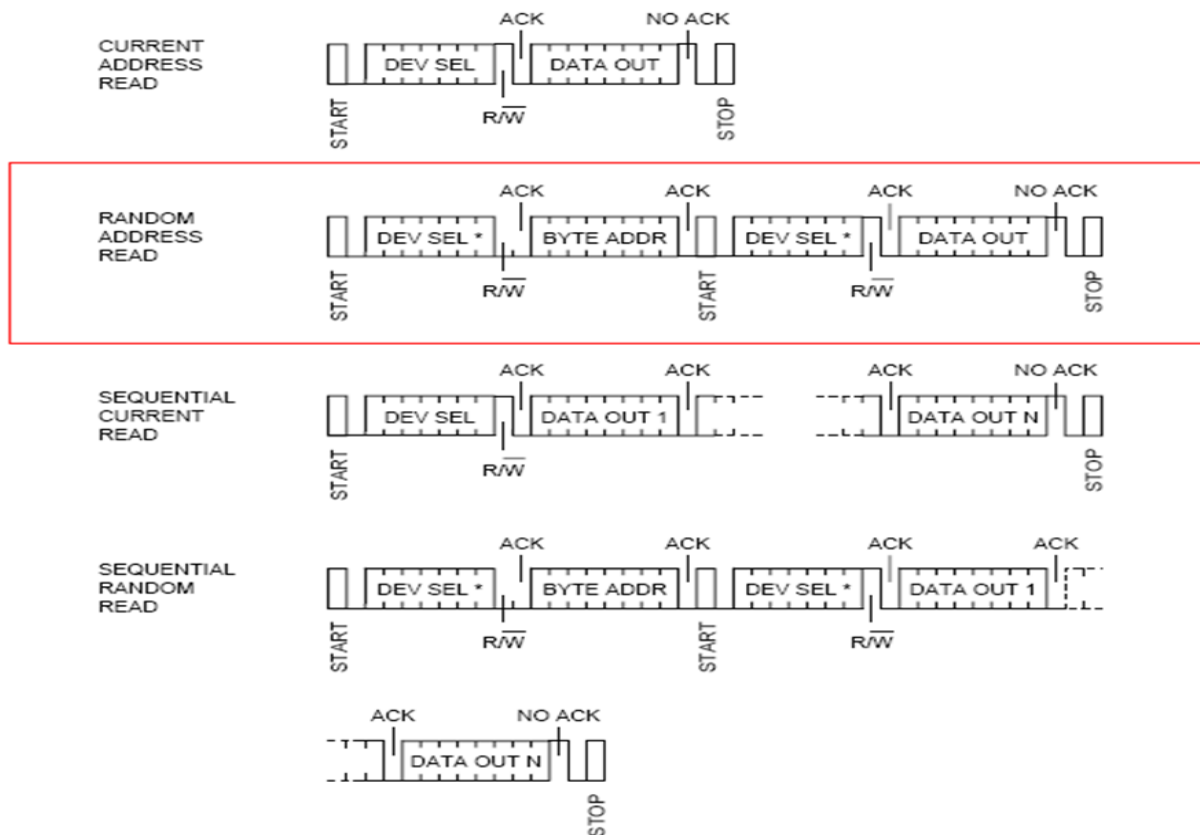


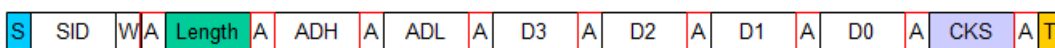
Figure 5-14: I2C Write Sequence (2)

5.2.2 I2C Command

- Slave id: default is 0x7F (2-bit from I/O pin: SID1, SID0)
 - iocfg: 0x380d default value: 0xFF,
so first time I2C is set to default function, then master can reset iocfg to disable default function.
 - iocfg[1]: i2c_ref_cs, i2c default is not to reference spi_cs to start i2c.
set to 1, reference slave id to enable i2c
spi_cs = 0 is to start so initial master send spi_cs to 0 and mode to 0 to select i2c mode, wait sometime, change spi_cs to 0 to enable i2c r/w.
 - iocfg[0] : i2c_lea_cs, i2c default is not reference spi_cs to leave state.
set to 1 : use stop to leave state
spi_cs is from 1'b0 to 1'b1 to leave i2c state machine. if i2c_lea_cs is disable, then i2c only reference stop to leave state.

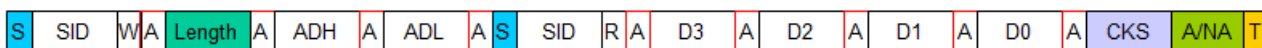
- In write command:
 - byte 1 is slave id + R/W (write is 0, read is 1)
 - byte 2 is crc calculation length. When zero, crc is disable;
 - when 0xFF, inc_adr_dis is 1 : to disable address increment.
 - byte3 is address high : address[15:8]
 - byte4 is address low : address[7:0]

Write Command

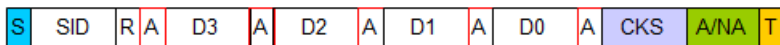


Read Command

Sequential Random address read



Sequential current address read



S : Start ; **T** : Stop

A : ACK

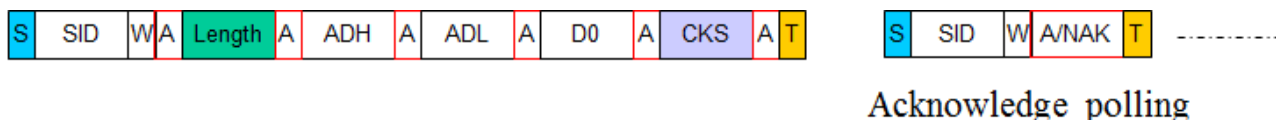
NA : No ACK

Figure 5-15: I2C with CRC

5.2.3 I2C OTP one byte with CRC

Write OTP Command, length = 1 (with crc), 0 (disable crc)

When master write one byte data, and send stop command to start otp write cycle.



If the device is still busy with the write cycle, then no ACK will be returned. If no ACK is returned, the Start bit and control byte must be re-sent. If the cycle is complete, the device will return the ACK and the master can then proceed with the next Read or Write command.

5.3 UART

5.3.1 UART Config

- iocfg : 0x380d default value: 0xFF,
so first time UART is set to default function, then master can reset iocfg to disable default function.
- iocfg[7]: uart_ref_cs ,uart default is not to reference spi_cs to start uart.
set to 1, using slave_id to enable uart function
(spi_cs = 0 is to start. so initial master send spi_cs to 1 and mode to 0 to select uart mode, wait sometime, change spi_cs to 0 to enable uart r/w)
- iocfg[6]: uart_lea_cs, uart default is not to reference spi_cs to leave state.
set to 1, using timeout to leave state.
(spi_cs is from 1'b0 to 1'b1 to leave uart state machine. When read, master can use NACK or spi_cs to leave uart state)
- iocfg[5]: uart_bau_en uart default is to enable baud rate detection.

5.3.2 UART Slave ID

- slaveid[7:0]: 0x380F
 - slaveid[7]: default is high.
if this bit is set to high, the general call address (00h) is recognized, otherwise it is ignored.
 - uart_slave_id[7:0] = {slaveid[5:0],slaveio};
 - slave io = {**SID1** pin, **SID0** pin}, 2bit
- iocfg[4:2] : To select time out period
 - 3'd7 : $2^{21} * \text{sys_clk}$ (default setting)
 - 3'd6 : $2^{20} * \text{sys_clk}$
 - 3'd5 : $2^{19} * \text{sys_clk}$
 - 3'd4 : $2^{18} * \text{sys_clk}$
 - 3'd3 : $2^{17} * \text{sys_clk}$
 - 3'd2 : $2^{16} * \text{sys_clk}$
 - 3'd1 : $2^{15} * \text{sys_clk}$
 - 3'd0 : $2^{14} * \text{sys_clk}$
 - If default sysclk is 16MHz, then time out is equal to $62.5\text{ns} * 2^{21} = 131\text{ms}$.
 - If default sysclk is 4MHz, then time out is equal to $250\text{ns} * 2^{21} = 524\text{ms}$.

5.3.3 UART Command

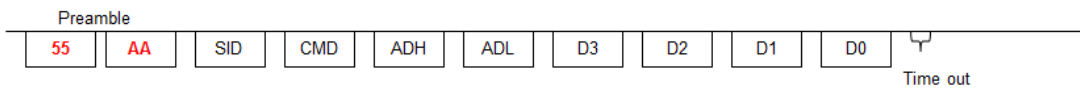
- `uart_cmd[7]`: `inc_adr_dis`,
1: to disable address increment.
ex: reading `dsp_status` [`DSPRDY`, `STOP`, `TRIGCNT`] (`cfg addr = 16'h387a`).
If `DSPRDY` is from 0 to 1, then master can read out dsp out buffer data.
- `uart_cmd[6:4]`: Read/write command
`uart_cmd[6:4] = 3'h1` for read with crc enable
`uart_cmd[6:4] = 3'h2` for write with crc enable
`uart_cmd[6:4] = 3'h3` for read with crc disable
`uart_cmd[6:4] = 3'h4` for write with crc disable
- `uart_cmd[3:0]`: Read/Write package number
case1: crc enable, set to 4, master must send out 4byte data + 1byte crc.
Then slave will send out `0x5A(ack)/0xA5(nack)`.
case2: crc disable, set to 4, master must send out 4byte data. Then slave
will not send out `0x5A(ack)/0xA5(nack)`.
- When `length = 0`, then hardware (IC) will set the internal length equal to `d'96` so FW can read
the data of dsp outbuf by 4 times ($96*4 = 384$ bytes) with crc.
- When crc is disable, the length setting is needed, the state machine is left when `time_out`.
- uart protocol : start bit + 8bit data + stop bit, no parity bit (10bit)
- `0x55` 1byte for baud rate detection
- `0xAA`, slave check if baud rate is the same as master.
 - If the same, slave send out `0x5A (Ack)`, no send out.
 - If not the same, slave send out `0xA5 (NAck)`, no send out.
- When write command, if slave crc is the same as master crc, then slave send out `0x5A(Ack)`,
not the same, slave send out `0xA5(Nack)`.
- In write command :
 - If in the time out period, the master sends out another data series, the write state machine
will go on writing action. (Address auto increment)
- If time out is got, then the write state machine will go to idle state. Then another write/read
command can work.
- otp write time :
 - parameter `Tpw_min = 90000` ; //Min Program Pulse Width Time
 - parameter `Tpw_max= 110000`; //Max Program Pulse Width Time
- In read command:
 - When the read package is end, the master can send out `0x5A` for continuing to read

another data package (address auto increment); or 0xA5 for stopping the read action, then the read state machine will go to idle state; or wait time out to idle state.

- If spi_cs is to be referenced, then spi_cs from 0 to 1, then the read state machine will go to idle state.

5.3.4 UART without CRC

Write Command



Read Command

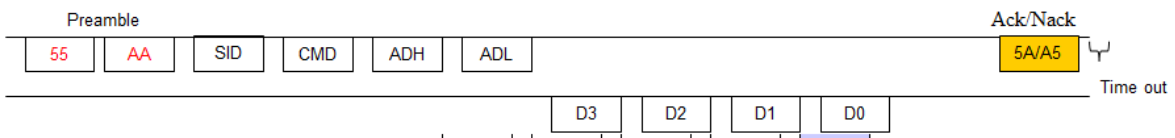
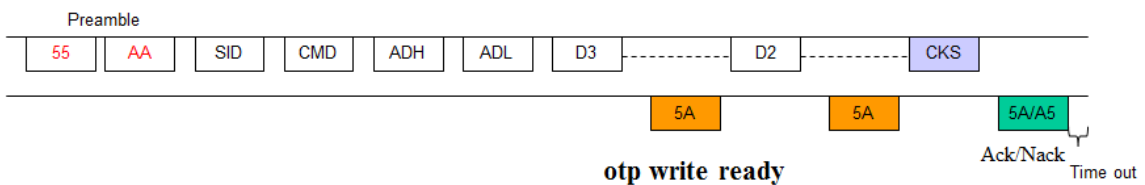


Figure 5-16: UART without CRC

5.3.5 UART OTP one byte with CRC

Write Command



Read Command

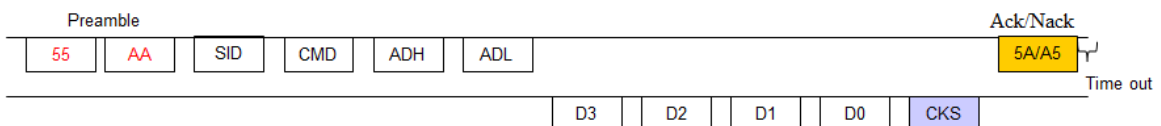


Figure 5-17: UART OTP one byte with CRC

5.4 GPIO

The PL7413 has 9 GPIO pins. These can be configured to be input or output by DSP or register setting.

- `locfg[3]`: GPIO direction control by DSP or register setting
 - 1: control by DSP
 - 0: control by CFG register
- These can be disabled/enabled:
`reg_pifunc_P00[1:0]`:
00:GPIO other: special function
- The definitions of `reg_pifunc_P01[1:0]` ~ `reg_pifunc_P14[1:0]` is the same as `reg_pifunc_P00[1:0]`.
- The settings can be read out from:
Address 0x3903: GPIO pins DIR[15:8]
Address 0x3902: GPIO pins DIR[7:0]
Address 0x3905: GPIO pins DATA[15:8]
Address 0x3904: GPIO pins DATA[7:0]
- The GPIO data can be written by DSP firmware, for example:

```
SUBM    R6    xx    GPI_04    R2                // input button GPI_04
STR      GPO_13  R6     0                // Relay output to GPO_13
```

6. Memory Mapping Overview

The PL7413 memory space mapping shown in Figure 6-1 depicts the addressing space and range of each memory macro or register. This memory space is accessible through the SPI/UART/I2C interface of PL7413. The main function of each addressing space is:

- **Configuration (CFG) register:** Various settings, such as DSP options, AVM/MS options and GPIO options, are configured by CFG register. For more details, please see the CFG register section.
- **DSP Buffer:** The calculated energy information located in DSP buffer can be obtained through the SPI/UART/I2C interface of PL7413.
- **DSP Code RAM:** The DSP code RAM stores the program executed by DSP after power on sequence of PL7413 is accomplished.
- **MTP Memory:** MTP (Multi-Time Programmable) memory which is a non-volatile memory stores the DSP code and register configurations. After power-on, the POS (power on sequence) copies the contents of MTP memory to DSP code RAM and CFG registers, respectively. When the POS is done, PL7413 starts to execute based on the DSP code RAM and CFG register settings.

DSP Read only memory (RO)	0x43FF
CFG	0x4000
DSP output Buffer	0x3800
Dsp program code (2K Byte)	0x3000
8k otp + 128B information block	0x2800
	0x0000

- | • address decode | real address position |
|------------------|----------------------------------|
| • 0x0000~0x27FF | : 8k OTP + 128B (0x0000~0x207F) |
| • 0x2800~0x2FFF | : 2k dsp prog (0x2800~0x2FFF) |
| • 0x3000~0x37FF | : 2k dsp buf (0x3000~0x317f) |
| • 0x3800~0x3FFF | : 2k cfg (0x3800~0x39FF) |
| • 0x4000~0x43FF | : 1k dsp ro (0x4000~0x43FF) |

Figure 6-1: PL7413 Memory Mapping

6.1 MTP memory mapping

The MTP (Multi-Time Programmable) memory which is a non-volatile memory stores the DSP code and register configurations. As shown in Figure 6-2, the MTP memory space is divided into two main sections, which are space for CFG register and for DSP code, respectively.

Due to the one-time programming property of MTP memory, the DSP program section and CFG data section of MTP memory are partitioned into multiple banks for multi-programming times.

The DSP program section of MTP is divided into 3 banks. The size of each bank is 2K Bytes. The CFG data section of MTP is divided into four banks. The size of each bank is 256 bytes.

Only the newest DSP program bank and the newest CFG data bank will be copied into DSP code RAM and CFG registers respectively. It should be programmed from the lowest bank # of DSP/CFG section.

8K OTP + 128B Information block

		128 B	0x207F
384 B	RO DATA #3	256 B	0x2000
			0x1F00
384 B	RO DATA #2		0x1D80
			0x1C00
384 B	RO DATA #1		0x1400
2048 B	DSP PROG #3		0x1400
			0x0C00
2048 B	DSP PROG #2		0x0C00
			0x0400
2048 B	DSP PROG #1		0x0400
256 B	CFG DATA #4		0x0300
			0x0200
256 B	CFG DATA #3		0x0200
			0x0100
256 B	CFG DATA #2		0x0100
			0x0000
256 B	CFG DATA #1		0x0000

Figure 6-2: MTP Memory Mapping Diagram

7. Power-On Sequence (POS)

When power turns on or external reset is released, the POS copies the MTP memory contents to CFG register and DSP code RAM, respectively. After POS operation, the DSP starts to execute. The POS operating procedure is shown as Figure 7-1.

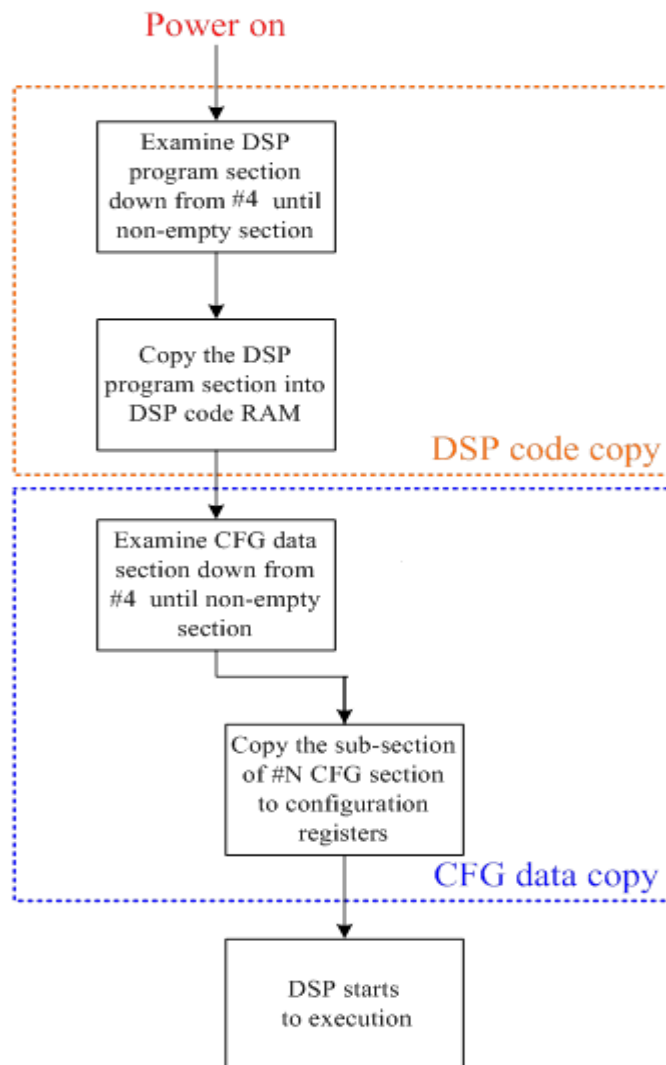


Figure 7-1: POS Sequence

7.1 POS example

Figure 7-2 is a POS example based on the following conditions. In such condition, POS copies CFG DATA #2 from MTP to CFG register, copies DSP bank #3 to DSP code RAM, and copies RO DATA#2 from MTP to RO RAM.

Example Condition:

- CFG DATA 1 and 2 are programmed and bank 3 and 4 are empty.
- DSP PROG 1~3 are programmed.
- RO DATA 1 and 2 are programmed and DATA3 is empty.

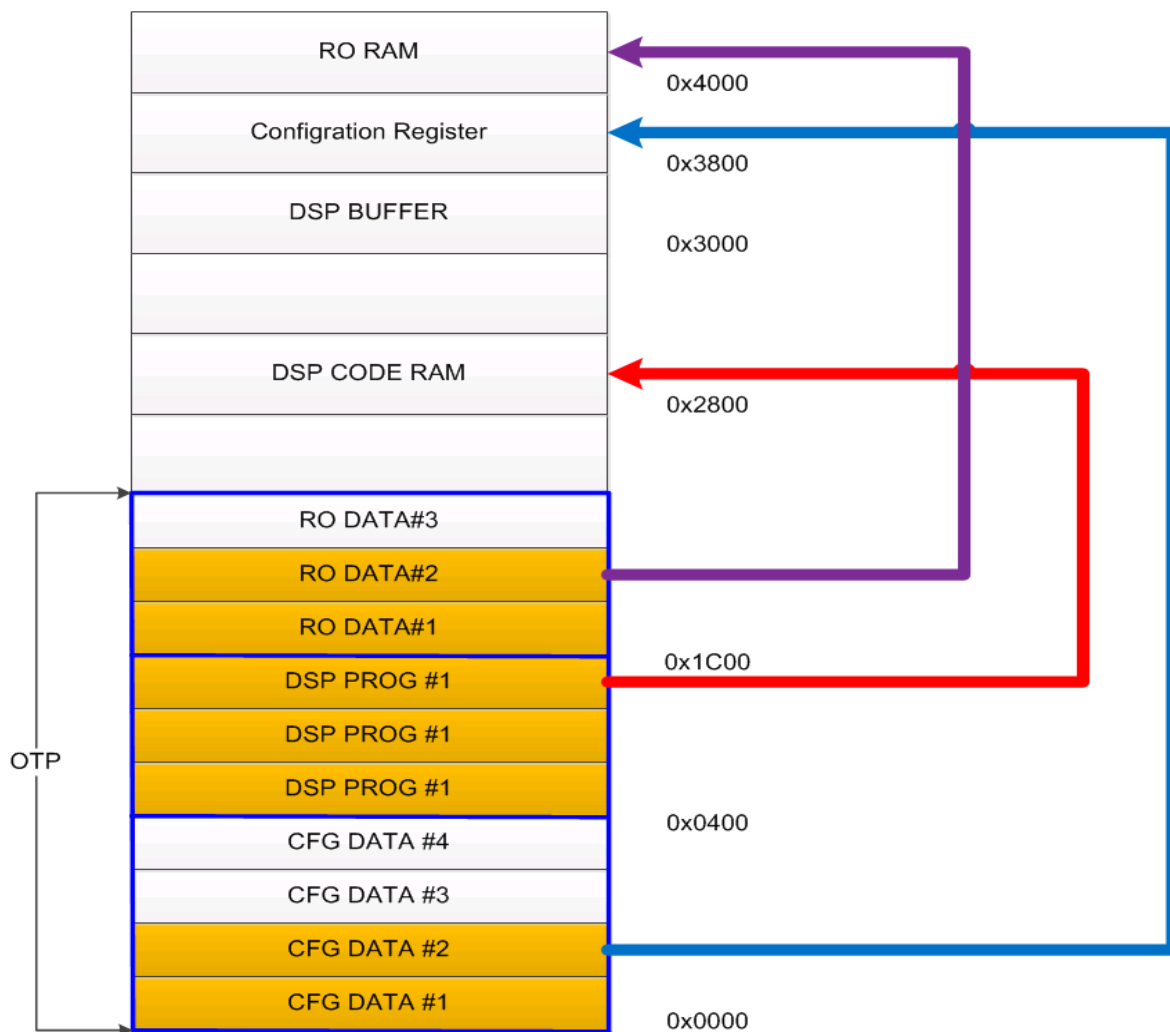


Figure 7-2: POS Sequence Example

8. Configuration (CFG) Registers

The configuration (CFG) registers located at 0x3800 are classified into system registers, analog registers and AFE parameter registers:

- System registers: These registers are used to configure miscellaneous function of whole system.
- AFE parameter registers: These registers are used to configure AFE control module.
- Analog registers: These registers are used to configure analog module, ex: power down, oscillator, and ADC, etc.

Since the contents of the CFG registers are copied from MTP memory after power up or external reset, their initial values depend on the contents of MTP memory. Consequently, the initial value of CFG registers will not be mentioned.

Table 8-1 : System Registers

System Registers				
Addr	Mnemonic	Bits	Description	
0x3800	SYSCFG	7:0	Default:0x00	Access:RW
	SW_RST	7:6	2'b10: Issue software reset. 2'b11: Enable DSP IR parity error reset signal	
	pclk_div2	5:4	2'b10: enable per clk to divider by 2	
		3:2	2'b10: enable test mode and apc_mrcb	
	testmode	1	SYSCFG[3:2] = 2'b10,0: enable 1: disable	
	apc_mrcb	0	SYSCFG[3:2] = 2'b10,0:enable 1:disable	
0x3801	ADCCFG	7:0	Default:0x00	Access:RW
	ADCEN	7	0: ADC Clock disable 1: ADC Clock enable	
	ADC_SEL	6	0: ADC RAW BIT SEL(from IO pad) 1:ADC RAW BIT SEL(from analog part)	
		5:4	Reserved	
	ADCDIV	3:0	ADC clock division ADC clock = system_clock/(ADCDIV+1)	
0x3802	DSPCFG	7:0	Default:0x00	Access:RW
	DSP_EN	7	0: DSP Disable 1: DSP Enable	
	AUTO_CLR	6	0: DSPRDY auto clr is enable(spi_cs is from 0 to 1) 1: DSPRDY auto clr is disable	
	CLR_Flag	5	0: no clr action 1:set to 1 to clr DSPRDY, hardware will auto clr this bit	
	DSP_TM	4	0: DSP Normal mode	

System Registers			
Addr	Mnemonic	Bits	Description
			1: DSP Test mode
	DSPDIV	3:0	DSP clock division DSP clock = system_clock/(DSPDIV+1)
0x3803	CFGReg_B0	7:0	Default:0x00 Access:RW
			DSP configuration register, bit0~bit7
0x3804	CFGReg_B1	7:0	Default:0x00 Access:RW
			DSP configuration register, bit8~bit15
0x3805	LENG	7:0	Default:0x60 Access:RW
			For setting spi/uart slave read/write byte length
0x3806	WDTCFG	7:0	Default:0xFF Access:RW
	WDT_SEL	7:5	(0:2 ¹³ , 1 : 2 ¹⁴ , 2 : 2 ¹⁵ , 3:2 ¹⁶ , 4:2 ¹⁷ , 5 :2 ¹⁸ , 6:2 ¹⁹ , 7:2 ²⁰)
		4	Reserved
	WDT_RST	3	active high or active low (1 for active high)
		2:1	Reserved
	WDT_CLR	0	1 for wdt counter reset
0x3807	OTP_BIST_DATA	7:0	Default:0x00 Access:RW
			If otp all data are the same. Write the same data value into CFG 0x3807
0x3808	FlagSel_CTL	7:0	Default:0x0F Access:RW
	OTP_BIST_TEST	7	1 for OTP BIST TEST MODE, length = 0~4 0 for normal mode, length=0~0x207f
	OTP_BIST_EN	6:5	2'b10 , then otp_bist is enable
		4:2	Reserved
	DSP_FLAG_SEL	1:0	
0x3809	SampleCnt_B0	7:0	Default:0x00 Access:RW
			Sample count setting, Byte-0
0x380A	SampleCnt_B1	7:0	Default:0x00 Access:RW
			Sample count setting, Byte-1
0x380B	delaycnt_B0	7:0	Default:0x40 Access:RW
			OTP delay count setting, Byte-0
0x380C	delaycnt_B1	7:0	Default:0x06 Access:RW
			OTP delay count setting, Byte-1 system clk divides delaycnt must be larger than 300ns
0x380D	iocfg	7:0	Default:0xFF Access:RW
	uart_ref_cs	7	Uart reference spi_cs to start 0: reference spi_cs
	uart_lea_cs	6	Uart reference spi_cs to leave 0: reference spi_cs

System Registers				
Addr	Mnemonic	Bits	Description	
	uart_bau_en	5	1: enable baud rate detection 0: disable	
		4	Reserved	
	GPIO_DIR_SEL	3	GPIO direction control 0: CFG 1: DSP	
	gen_call_read_en	2	1 : for gen_cal , disable read function(default) 0 : for gen_cal , enable read function	
	i2c_ref_cs	1	I2C reference spi_cs to start 0: reference spi_cs	
	i2c_lea_cs	0	I2C reference spi_cs to leave 0: reference spi_cs	
0x380E	clkcfg	7:0	Default:0x73	Access:RW
		7	Reserved	
	uart_to_cfg	6:4	uart time out period 3'b111:2 ²¹ *system clk(16Mhz = 125ms) 3'b110:2 ²⁰ *system clk 3'b101:2 ¹⁹ *system clk 3'b100:2 ¹⁸ *system clk 3'b011:2 ¹⁷ *system clk 3'b010:2 ¹⁶ *system clk 3'b001:2 ¹⁵ *system clk 3'b000:2 ¹⁴ *system clk	
	div_sel	3:2	anti-clock fail detection circuit clear fail detection count(frequency select)	
	dlysel	1:0	anti-clock fail detection circuit fail detection and switch period	
0x380F	SLAVEID	7:0	Default:0x7F	Access:RW
	gen_call_en	7	cen_call enable 1:enable	
		6	Reserved	
	salve_id	5:0	I2C slave id = {slaveid[4:0],slaveio} Uart slave id = {slaveid[5:0],slaveio}	
0x3810	I2F_IDATA_R_B0	7:0	Default:0x00	Access:RW
			I2F DATA by CFG	
0x3811	I2F_IDATA_R_B1	7:0	Default:0x00	Access:RW
			I2F DATA by CFG	
0x3812	I2F_IDATA_R_B2	7:0	Default:0x00	Access:RW
			I2F DATA by CFG	
0x3813	I2F_IDATA_R_B3	7:0	Default:0x00	Access:RW

System Registers				
Addr	Mnemonic	Bits	Description	
			I2F DATA by CFG	
0x3814	I2F_IDATA_R_B4	7:0	Default:0x00	Access:RW
			I2F DATA by CFG	
0x3815	I2F_IDATA_R_B5	7:0	Default:0x00	Access:RW
			I2F DATA by CFG	
0x3816	I2F_CTL	7:0	Default:0x00	Access:RW
		7	I2F RADIX and SIGN SELECTION 0: set by register, 1: set by dsp wo	
		6	I2F DATA SELECTION 0: set by register, 1: set by dsp wo	
		5	I2F SIGN Value	
		4:0	I2F RADIX Value	
0x381A	CORDIC_SIN_B0	7:0	Default:0x00	Access:RW
			CORDIC SIN Low byte	
0x381B	CORDIC_SIN_B0	7:0	Default:0x00	Access:RW
			CORDIC SIN High byte	
0x381C	CORDIC_COS_B0	7:0	Default:0x00	Access:RW
			CORDIC COS Low byte	
0x381D	CORDIC_COS_B0	7:0	Default:0x00	Access:RW
			CORDIC COS High byte	
0x381E	GPIO_DIR_B0	7:0	Default:0x00	Access:RW
			GPIO direction control,0: input 1: output	
0x381F	GPIO_DIR_B1	7:0	Default:0x00	Access:RW
			GPIO direction control,0: input 1: output	
0x3824	I Channel Gain	7:0	Default:0x00	Access:RW
		7	Reserved	
	Gain1	6:4	I1 gain	
		3	Reserved	
	Gain0	2:0	I0 gain	
0x3825	I Channel Gain	7:0	Default:0x00	Access:RW
		7	Reserved	
	Gain3	6:4	I3 gain	
		3	Reserved	
	Gain2	2:0	I2 gain	
0x3826	V Channel Gain	7:0	Default:0x00	Access:RW
		7	Reserved	
	Gain5	6:4	V1 gain	
		3	Reserved	
	Gain4	2:0	V0 gain	
0x3827	V Channel Gain	7:0	Default:0x00	Access:RW

System Registers			
Addr	Mnemonic	Bits	Description
		7	Reserved
	Gain7	6:4	V3 gain
		3	Reserved
	Gain6	2:0	V2 gain
0x3834	MAST_CTL_B0	7:0	Default:0x00 Access:RW
		7:0	SPI/I2C mode: eeprom byte length(low byte) Uart mode:bit[6:0] is uart send out package length
0x3835	MAST_CTL_B1	7:0	Default:0x00 Access:RW
	mast_haddr_en	7	Slave device need 2 byte address 1:enable(2 byte) 0:disable(1 byte)
		6:0	SPI/I2C mode: eeprom byte length(high byte)
0x3836	MAST_CTL_B2	7:0	Default:0x00 Access:RW
		7:0	Reserved
0x3837	MAST_SID	7:0	Default:0xD0 Access:RW
		7:1	I2C mode: bit[7:1] for setting exteranl slave i2c eeprom device id Uart mode: bit[7:4] for cpol cpha control bit[7] = cpol bit[6] = cpha bit[5:4] 2'b11
		0	Reserved
0x3838	MAST_HADR	7:0	Default:0x00 Access:RW
		7:0	SPI/I2C mode: for setting external eeprom haddr Uart mode: for setting uart master read dsp outbuf haddr
0x3839	MAST_LADR	7:0	Default:0x00 Access:RW
		7:0	SPI/I2C mode: for setting external eeprom laddr Uart mode: for setting uart master read dsp outbuf laddr
0x383A	spim_cmd0	7:0	Default:0x00 Access:RW
		7:0	SPI/I2C mode: spi master WREN command(8'h06) Uart mode: BitWidthNum_master low byte
0x383B	spim_cmd1	7:0	Default:0x00 Access:RW
		7:0	SPI/I2C mode: spi master WRITE command(8'h02) Uart mode:bits[5:0] is BitWidthNum_master high byte
0x383C	spim_cmd2	7:0	Default:0x00 Access:RW
		7:0	SPI/I2C mode: spi master READ command(8'h03) Uart mode:bit[7] uart master enable Bit[4:0] BitWidthDen_master
0x3890	IR_CFG_B0	7:0	Default:0x00 Access:RW
	ir_filter_length	7:0	
0x3891	IR_CFG_B1	7:0	Default:0x00 Access:RW
	ir_bit_num	7:2	bit[5:0]
	ir_filter_length	1:0	

System Registers				
Addr	Mnemonic	Bits	Description	
0x3892	IR_CFG_B2	7:0	Default:0x00	Access:RW
	MSB_SEL	7	1: MSB first 0: LSB first	
	ir_invert	6	1: invert	
	ir_enable	5:4	00: disable 01: msp3_ir enable 10: bi_phase_ir enable 11: pcm_ir enable	
	ir_start_bit	3	1: ir type have start bit 0: ir type no start bit	
	ir_valid	2		
	ir_in_mux	1	1: UART_RX 0: ir_mod_in	
	ir_bit_num	0	bit[6]	
0x3893	IR_T_BASE_B0	7:0	Default:0x00	Access:RW
		7:0	ir time base high byte	
0x3894	IR_T_BASE_B1	7:0	Default:0x00	Access:RW
		7:0	ir time base high byte	
0x3895	IR_T_TH	7:0	Default:0x00	Access:RW
		7:0	For Start_bit, $TH = IR_T_TH[7:0] * (2)^{IR_T_GAIN[5:3]}$ For logic bit, $TH = IR_T_TH[7:0] * (2)^{IR_T_GAIN[2:0]}$	
0x3896	IR_LEAD_CFG	7:0	Default:0x00	Access:RW
		7:0		
0x3897	IR_LOGIC_CFG_B0	7:0	Default:0x00	Access:RW
		7:0		
0x3898	IR_LOGIC_CFG_B1	7:0	Default:0x00	Access:RW
		7:0		
0x3899	IR_SPACE_CFG	7:0	Default:0x00	Access:RW
		7:0		
0x389A	IR_T_GAIN	7:0	Default:0x00	Access:RW
		7:0		
0x389C	IOMUX0	7:0	Default:0x00	Access:RW
	reg_pinfunc_P03	7:6	Normal mode: 00:GPIO 10:wdt_rst 11:mode_latch Analog mode: 00:DG_BGD_3V 01:DG_PG_3V 10:bit_i1	

System Registers			
Addr	Mnemonic	Bits	Description
			11:DG_OSC_LOW_GD
	reg_pinfunc_P02	5:4	00:GPIO 11:BD option0
	reg_pinfunc_P01	3:2	00:GPIO Others:SPI_DX/TXD/SDA
	reg_pinfunc_P00	1:0	00:GPIO 01:IR_in 11:CS
0x389D	IOMUX1	7:0	Default:0x00 Access:RW
	reg_pinfunc_P07	7:6	00:GPIO 10:SPI_SSN 11:II_in
	reg_pinfunc_P06	5:4	00:GPIO 10:IR_in 11:VI_in
	reg_pinfunc_P05	3:2	00:GPIO 11:IR_in
	reg_pinfunc_P04	1:0	00:GPIO 01: IR_in 10:wdt_rst 11:SPI_SCLK/I2C_SID
0x389E	IOMUX2	7:0	Default:0x00 Access:RW
	reg_pinfunc_P11	7:6	00:GPIO Others:SPI_DI/UART_RXD/I2C_SID0
	reg_pinfunc_P10	5:4	00:GPIO Others:SPI_SCLK/I2C_SCL
	reg_pinfunc_P09	3:2	00:GPIO 01:ir_data_decod 10:SPI_SSN 11:SPI_DI
	reg_pinfunc_P08	1:0	Normal mode: 00:GPIO 01:ir_data_valid 10:wdt_rst 11:ADC_CLK_IN Analog mode: 00:DG_CLK_16M_3V 01:DG_CK_OSC2_3V 10:DG_CLKOSC_3V 11:ADC_CLK

System Registers				
Addr	Mnemonic	Bits	Description	
0x389F	IOMUX3	7:0	Default:0x00	Access:RW
	reg_pinctrl_P15	7:6	Reserved	
	reg_pinctrl_P14	5:4	00:GPIO 11:BD option2	
	reg_pinctrl_P13	3:2	00:GPIO 11:s_st_error	
	reg_pinctrl_P12	1:0	Normal mode: 00:GPIO 01:ir_ready 10:wdt_rst 11:s_st_error Analog mode: 00:DG_AVDD3_VD_3V 01:DG_VIND_PG 10:bit_v1 11:DG_OSC_LOW_GD	
0x3902	GPIO_DIR	7:0	Default:	Access:R
		7:0	GPIO_DIR low byte	
0x3903	GPIO_DIR	7:0	Default:	Access:R
		7:0	GPIO_DIR high byte	
0x3904	GPIO_DATA	7:0	Default:	Access:R
		7:0	GPIO_DATA low byte	
0x3905	GPIO_DATA	7:0	Default:	Access:R
		7:0	GPIO_DATA high byte	
0x3906	AGC1	7:0	Default:	Access:R
		7:0		
0x3907	AGC2	7:0	Default:	Access:R
		7:0		
0x3908	LOOPCNT_L	7:0	Default:	Access:R
		7:0		
0x3909	LOOPCNT_H	7:0	Default:	Access:R
		7:0		
0x390A	Status	7:0	Default:	Access:R
		7:0		
0x390B	c_crc_get	7:0	Default:	Access:R
		7:0		
0x390C	c_crc_cal	7:0	Default:	Access:R
		7:0		
0x390D	s_crc_kp	7	Default:	Access:R
		7		

System Registers				
Addr	Mnemonic	Bits	Description	
0x390E		7	Default:	Access:R
	ready_keep	7		
0x390F		7	Default:	Access:R
	clkmod	7		
0x3910	FlagDSP_B0	7:0	Default:	Access:R
		7:2	FlagDSP[7:2]	
0x3911	FlagDSP_B1	7:0	Default:	Access:R
		7:0	FlagDSP[15:8]	
0x3912	FlagDSP_B2	7:0	Default:	Access:R
		7:0	FlagDSP[23:16]	
0x3913	FlagDSP_B3	7:0	Default:	Access:R
		7:0	FlagDSP[31:24]	
0x3914	FlagReg_B0	7:0	Default:	Access:R
		7:0	FlagReg [7:0]	
0x3915	FlagReg_B1	7:0	Default:	Access:R
		7:0	FlagReg [15:8]	
0x3916	FlagReg_B2	7:0	Default:	Access:R
		7:0	FlagReg [23:16]	
0x3917	FlagReg_B3	7:0	Default:	Access:R
		7:0	FlagReg[31:24]	
0x3918	BitWidthNum_B0	7:0	Default:	Access:R
		7:0	BitWidthNum[7:0]	
0x3919	BitWidthNum_B1	5:0	Default:	Access:R
		5:0	BitWidthNum[13:8]	
0x391A	BitWidthDen	4:0	Default:	Access:R
		4:0	BitWidthDen[4:0]	
0x391C	I2F_FDATA_B0	7:0	Default:	Access:R
		7:0		
0x391D	I2F_FDATA_B1	7:0	Default:	Access:R
		7:0		
0x391E	I2F_FDATA_B2	7:0	Default:	Access:R
		7:0		
0x391F	I2F_FDATA_B3	7:0	Default:	Access:R
		7:0		
0x3926		7	Default:	Access:R
	AFETRIG	7		
0x3927	AFEV1_B0	7:0	Default:	Access:R
		7:0	AFEV1[7:0]	
0x3928	AFEV1_B1	7:0	Default:	Access:R

System Registers			
Addr	Mnemonic	Bits	Description
		7:0	AFEV1[15:8]
0x3929	AFEV1_B2	7:0	Default: Access:R
		7:0	AFEV1[23:16]
0x392A	AFEI1_B0	7:0	Default: Access:R
		7:0	AFEI1[7:0]
0x392B	AFEI1_B1	7:0	Default: Access:R
		7:0	AFEI1[15:8]
0x392C	AFEI1_B2	7:0	Default: Access:R
		7:0	AFEI1[23:6]
0x393D	bist_result	1:0	Default: Access:R
		1:0	bist_result
0x393E	bist_crc_out_B0	7:0	Default: Access:R
		7:0	bist_crc_out[7:0]
0x393F	bist_crc_out_B1	7:0	Default: Access:R
		7:0	bist_crc_out[15:8]

Table 8-2 : AFE Related Registers

AFE related Registers				
Addr	Mnemonic	Bits	Description	
0x3840	AFECFG0_B0	7:0	Default:0x00	Access:RW
		7:0	Reserved	
0x3841	AFECFG0_B1	7:0	Default:0x00	Access:RW
	EN_COMP	7	=1: sinc3 compensation filter enable	
	COMP_COEF	6:0	sinc3 compensation filter coefficient Q2.5 (default=0x30=1.5)	
0x3842	AFECFG0_B2	7:0	Default:0x00	Access:RW
		7:5	Reserved	
	INTP test mode	4	=1 : V0/I0 interpolation test mode	
	ADC_CLK_PHSI	3	I channel adc_bit posedge(=1)/negedge(=0) selection	
	ADC_CLK_PHSV	2	V channel adc_bit posedge(=1)/negedge(=0) selection	
	EN_FIR_SEL	1:0	sinc3 compensation FIR tap select (=0 : disable; =1 : 1-tap; =2 : 2-tap; =3 : 2-tap)	
	0x3843	AFECFG0_B3	7:0	Default:0x00
		7	Reserved	
DCF_sel		6:5	OSR selection (=0 : OSR64; =1 : OSR128; =2 : OSR256; =3 : OSR512)	
HPF_sel		4	high-pass filter scale selection (=0: 1/512; =1: 1/256)	
		3:2	Reserved	
INT_sel_I		1:0	integrator I channel scale selection (=0: 1/16; =1: 1/32; =2: 1/64; =3: 1/128)	
0x3844	AFECFG1_B0	7:0	Default:0x00	Access:RW
		7	Reserved	
	MCH	6:5	mux channel number 4MUX 8MUX 00: 1CH 1CH 01: 2CH 2CH 10: 3CH 4CH 11: 4CH 8CH	
		4:0	Reserved	
0x3845	AFECFG1_B1	7:0	Default:0x00	Access:RW
	ISID2	7:6	I channel Slot ID2(bit[1:0])	
	ISID1	5:3	I channel Slot ID1	
	ISID0	2:0	I channel Slot ID0	
0x3846	AFECFG1_B2	7:0	Default:0x00	Access:RW
		7:4	Reserved	
	ISID3	3:1	I channel Slot ID3	
	ISID2	0	I channel Slot ID2(bit[2])	
0x3847	AFECFG1_B2	7:0	Default:0x00	Access:RW

AFE related Registers			
Addr	Mnemonic	Bits	Description
		7:0	Reserved
0x3848	AFECFG2_B0	7:0	Default:0x00 Access:RW
		7:2	Reserved
	ICHEN	1	=1: I Decimator Enable
	VCHEN	0	=1: V Decimator Enable
0x3849	AFECFG2_B1	7:0	Default:0x00 Access:RW
	VSID2	7:6	V channel slot ID2(bit[1:0])
	VSID1	5:3	V channel slot ID1
	VSID0	2:0	V channel slot ID0
0x384A	AFECFG2_B2	7:0	Default:0x00 Access:RW
		7:4	Reserved
	VSID3	3:1	V channel slot ID3
	VSID2	0	V channel slot ID2(bit[2])
0x384B	AFECFG2_B2	7:0	Default:0x00 Access:RW
		7:0	Reserved
0x384C	AFECFG3_B0	7:0	Default:0x00 Access:RW
	Hilbert cfg pair-1	7:4	(bit[3:0] = Hilbert cfg pair-0)
	Q0LP_SEL	3:2	low-pass filter alpha (=0: 1/256; =1: 1/1024; =2: 1/4096; =3: 1/16384)
	Q0LP_EN	1	=1: reactive power 0 low-pass filter enable
	HLBT0_EN	0	=1: hilbert filter 0 enable
0x384D	AFECFG3_B1	7:0	Default:0x00 Access:RW
		7:4	Reserved
	Hilbert cfg pair-2	3:0	
0x384E	AFECFG3_B2	7:0	Default:0x00 Access:RW
		7:0	Reserved
0x384F	AFECFG3_B3	7:0	Default:0x00 Access:RW
		7:0	Reserved
0x3850	AFECFG4_B0	7:0	Default:0x00 Access:RW
	DEC_SSEL	7:6	00: 0 01: 1 10: -2 11: -1
		5	Reserved
	EN_DC	4	=1: enable
	EN_Integrator	3	=1: enable (only valid for I channel)
	EM_HPF	2	=1: enable
	EN_PWR_HPF	1	=1: enable
	EN_SINC3	0	=1: enable
	0x3851	AFECFG4_B1	7:0

AFE related Registers			
Addr	Mnemonic	Bits	Description
	DEC_Phase	7:0	0~255, [SSEL, Phase] +/- 512
0x3852	AFECFG4_B2	7:0	Default:0x00 Access:RW
	V channel 1	7:0	{AFECFG4_B1,AFECFG4_B0} is V channel0,this is V channel1 low byte
0x3853	AFECFG4_B3	7:0	Default:0x00 Access:RW
	V channel 1	7:0	{AFECFG4_B1,AFECFG4_B0} is V channel0,this is V channel1 high byte
0x3854	AFECFG5_B0	7:0	Default:0x00 Access:RW
	V channel 2	7:0	{AFECFG4_B1,AFECFG4_B0} is V channel0,this is V channel2 low byte
0x3855	AFECFG5_B1	7:0	Default:0x00 Access:RW
	V channel 2	7:0	{AFECFG4_B1,AFECFG4_B0} is V channel0,this is V channel2 high byte
0x3856	AFECFG5_B2	7:0	Default:0x00 Access:RW
	V channel 3	7:0	{AFECFG4_B1,AFECFG4_B0} is V channel0,this is V channel3 low byte
0x3857	AFECFG5_B3	7:0	Default:0x00 Access:RW
	V channel 3	7:0	{AFECFG4_B1,AFECFG4_B0} is V channel0,this is V channel3 high byte
0x3858	AFECFG6_B0	7:0	Default:0x00 Access:RW
		7:0	AFE configuration register I0, I1
0x3859	AFECFG6_B1	7:0	Default:0x00 Access:RW
		7:0	AFE configuration register I0, I1
0x385A	AFECFG6_B2	7:0	Default:0x00 Access:RW
		7:0	AFE configuration register I0, I1
0x385B	AFECFG6_B3	7:0	Default:0x00 Access:RW
		7:0	AFE configuration register I0, I1
0x385C	AFECFG7_B0	7:0	Default:0x00 Access:RW
		7:0	AFE configuration register I2, I3
0x385D	AFECFG7_B1	7:0	Default:0x00 Access:RW
		7:0	AFE configuration register I2, I3
0x385E	AFECFG7_B2	7:0	Default:0x00 Access:RW
		7:0	AFE configuration register I2, I3
0x385F	AFECFG7_B3	7:0	Default:0x00 Access:RW
		7:0	AFE configuration register I2, I3

Table 8-3 : Analog Configuration Registers

Analog Configuration Registers				
Addr	Mnemonic	Bits	Description	
0x3860	ICCFG0	7:0	Default:0x44	Access:RW
		7:6	{DG_P03_DIS_C,DG_P03_DIS_PULLUP}	
		5:4	{DG_P02_DIS_C,DG_P02_DIS_PULLUP}	
		3:2	{DG_P01_DIS_C,DG_P01_DIS_PULLUP}	
		1:0	{DG_P00_DIS_C,DG_P00_DIS_PULLUP}	
0x3861	ICCFG1	7:0	Default:0x45	Access:RW
		7:6	{DG_P07_DIS_C,DG_P07_DIS_PULLUP}	
		5:4	{DG_P06_DIS_C,DG_P06_DIS_PULLUP}	
		3:2	{DG_P05_DIS_C,DG_P05_DIS_PULLUP}	
		1:0	{DG_P04_DIS_C,DG_P04_DIS_PULLUP}	
0x3862	ICCFG2	7:0	Default:0x55	Access:RW
		7:6	{DG_P11_DIS_C,DG_P11_DIS_PULLUP}	
		5:4	{DG_P10_DIS_C,DG_P10_DIS_PULLUP}	
		3:2	{DG_P09_DIS_C,DG_P09_DIS_PULLUP}	
		1:0	{DG_P08_DIS_C,DG_P08_DIS_PULLUP}	
0x3863	ICCFG3	7:0	Default:0x52	Access:RW
		7:6	Reserved	
		5:4	{DG_P14_DIS_C,DG_P14_DIS_PULLUP}	
		3:2	{DG_P13_DIS_C,DG_P13_DIS_PULLUP}	
		1:0	{DG_P12_DIS_C,DG_P12_DIS_PULLUP}	
0x3864	ANA_KEY1	7:0	Default:0x00	Access:RW
		7:0	Write analog register must first hit the ANA_KEY1 & ANA_KEY2, ANA_KEY1 = 8'he4	
0x3865	ANA_KEY2	7:0	Default:0x00	Access:RW
		7:6	Write analog register must first hit the ANA_KEY1 & ANA_KEY2, ANA_KEY2 = 8'h1b	
0x3866	DG_IO_3V	7:0	Default:0x8C	Access:RW
		Extra Current sources	7:4	B[3:0]=0001 · Current Strength=40uA B[3:0]=0010 · Current Strength=80uA B[3:0]=0100 · Current Strength=160uA B[3:0]=1000 · Current Strength=320uA
		XTAL power Down	3	1 : Active 0 : Power Down
			2	0: weak pull up 1: strong pull up (180 ohm) ,rst_weak_phn
			1	reset_pad disable pullup resistor (rst_dis_pullr)
			0	reset pad disable input (rst_dis_c)
0x3868	DG_VREF_TR_3V	7:0	Default:0x00	Access:RW
		7:0	Total 256 step from 1.2V to 1.32223V · VREF trimming resolution =0.435mV~0.528mV	
0x3869	DG_BG_TR_3V	7:0	Default:0x00	Access:RW

Analog Configuration Registers			
Addr	Mnemonic	Bits	Description
		7	Reserved
		6:0	Total 128 steps from 1198mV to 1236mV, resolution=302uV
0x386A	DG_PD_3V_B0	7:0	Default:0x00 Access:RW
		7	WD_OSC power down
		6:5	Reserved
		4	LDOD power down
		3	LDOA power down
		2	PAD_VREFBUF power down
		1	IBGEN_B power down
		0	Bandgap power down
0x386B	DG_PD_3V_B1	7:0	Default:0x00 Access:RW
		7	osc_por_control power down (controlled by hardware, not FW)
		6:5	Reserved
		4	set all AV18 domain register out to "0" from level shifter
		3	set all AV18 power down pin to "1" from level shifter
		2	set all AV18 domain register to "0" from level shifter
		1	power down avdd3 power good
		0	power down DG_VIND_PG
0x386C	DG_TST_3V_B0	7:0	Default:0x00 Access:RW
		7	Reserved
		6	1: wd_osc clock output to test pad
		5:2	Reserved
		1	IBGEN bandgap test voltage output 1: switch bangap voltage in/out from test pad
		0	IBGEN bias test current output 1: switch tested bias current 20uA from power
0x386D	DG_TST_3V_B1	7:0	Default:0x00 Access:RW
		7	1:PAD_TST ENABLE 0: PAD_TST DISABLE
		6:3	Reserved
		2	1: IADC TST(10uA)
		1	Reserved
		0	1:PAD_VREFBUF output to test pad
0x386E	DG_PD_B0	7:0	Default:0xFF Access:RW
	Adc_sdm(IB)	7	ADC power down [7] vmid
	Adc_sdm(IA)	6:0	ADC power down [0] vmid [1] adc_clkgen [2] pga [3] modulator [4] adc_mod_im

Analog Configuration Registers			
Addr	Mnemonic	Bits	Description
			[5] ain0 adc_sd_inbuf [6] ain1 adc_sd_inbuf
0x386F	DG_PD_B1	7:0	Default:0xBF Access:RW
		7	TSENSOR power down
		6	1: 16MHz RC oscillator power down , 0: power on
	Adc_sdm(IB)	5:0	ADC power down [0] adc_clkgen [1] pga [2] modulator [3] adc_mod_im [4] ain0 adc_sd_inbuf ain1 adc_sd_inbuf [5]
0x3870	DG_REG_B0	7:0	Default:0x00 Access:RW
		7:6	{DG_REG_B1[0], DG_REG_B0[7:6]} IA channel decoder for input setting 000 : adc wth input buffer 001 : adc wth input buffer 010 : adc unity input buffer 011 : adc unity input buffer 100 : PAD_VREF 101 : LDOA 110 : AVSS 111 : AVSS
		5:3	IB channel gain setting 000 : x1 , 001 : x2 , 010 : x4 , 011 : x8 , 100 : x16 , 101 : x24 110 : x32 , 111 : Input short to VGND
		2:0	IA channel gain setting 000 : x1 , 001 : x2 , 010 : x4 , 011 : x8 , 100 : x16 , 101 : x24 110 : x32 , 111 : Input short to VGND
0x3871	DG_REG_B1	7:0	Default:0x50 Access:RW
	bias current trimming for SDM ADC IA	7:5	IA PGA bias current 000 : 1uA , 001 : 1.5uA , 010 : 2uA , 011 : 2.5uA, 100 : 3uA , 101 : 3.5uA , 110 : 4uA , 111 : 4.5uA
	bias current trimming for SDM ADC IA	4	IA input buffer bias current 0 : 1uA , 1 : 2uA
		3:1	IB channel decoder for input setting 000 : adc wth input buffer 001 : adc wth input buffer 010 : adc unity input buffer 011 : adc unity input buffer 100 : LDOD 101 : TEMP 110 : AVSS

Analog Configuration Registers			
Addr	Mnemonic	Bits	Description
			111 : AVSS
		0	With DG_REG_B0[7:6]
0x3872	DG_REG_B2	7:0	Default:0x55 Access:RW
	bias current trimming for SDM ADC IB	7:6	IB Modulator bias current 00 : 0.5uA , 01 : 1uA , 10 : 1.5uA , 11 : 2uA
	bias current trimming for SDM ADC IB	5:3	IB PGA bias current 000 : 1uA , 001 : 1.5uA , 010 : 2uA , 011 : 2.5uA, 100 : 3uA , 101 : 3.5uA , 110 : 4uA , 111 : 4.5uA
	bias current trimming for SDM ADC IB	2	IB input buffer bias current 0 : 1uA , 1 : 2uA
	bias current trimming for SDM ADC IA	1:0	IA Modulator bias current 00 : 0.5uA , 01 : 1uA , 10 : 1.5uA , 11 : 2uA
0x3873	DG_REG_B3	7:0	Default:0x03 Access:RW
		7:6	Reserved
		5	1:enhance vmid_mod driving capability
		4	1:enhance vmid_pga driving capability
		3	IB en_chop 0: disable chopping 1: enable chopping
		2	IA en_chop 0: disable chopping 1: enable chopping
		1	IB ADC resetn , 0:resetn
		0	IA ADC resetn , 0:resetn
0x3874	DG_REG_B4	7:0	Default:0x00 Access:RW
		7	TSENSOR test voltage output 0: delta VBE curve 1: single VBE curve (save power, large voltage)
		6	Reserved
		5	1 : IB ADC input=0
		4	1 : IA ADC input=0
		3:2	Reserved
		1	1:enhance vmid_mod driving capability
		0	1:enhance vmid_pga driving capability
0x3875	DG_REG_3V_B0	7:0	Default:0x56 Access:RW
		7:6	IB control for IB[1], wt_osc bias current 00:0.5uA/ 01:1uA/ 10:2uA/ 11: 4uA
		5:4	IB control for IB[0], tsensor bias current 00:0.5uA/ 01:1uA/ 10:2uA/ 11:4uA
		3:1	ADC Bias Current Setting IADC[2:0] 000:0.5uA /001:1uA /010:1.5uA /011:2uA /100:2.5uA /101:3uA /110:3.5uA /111:4uA Default:2uA
		0	Reserved
0x3876	DG_REG_3V_B1	7:0	Default:0x02 Access:RW
		7:6	Digital Core LDO with external 0.1uF 00:1.8V / 01:1.7V /10:1.6V /11:1.9V

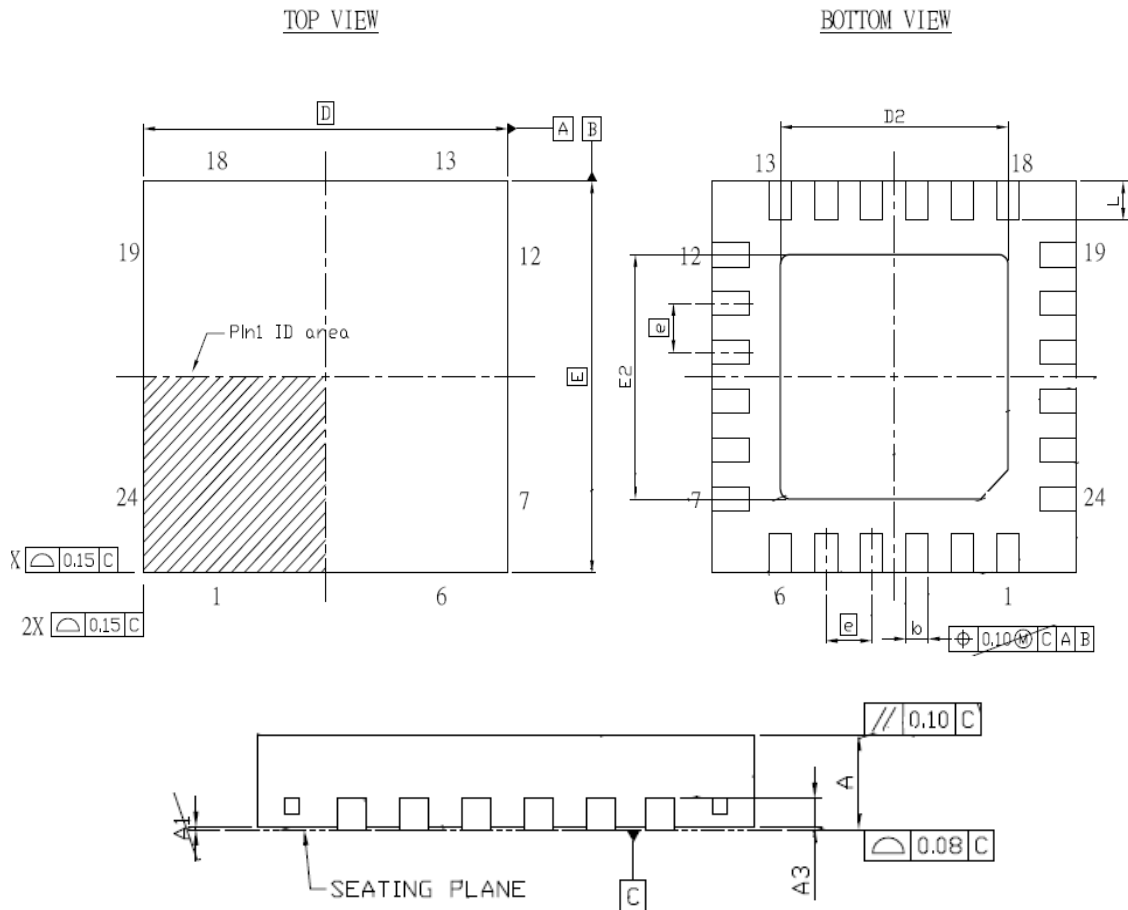
Analog Configuration Registers			
Addr	Mnemonic	Bits	Description
		5:4	Analog Core LDO with external 0.1uF 00:1.8V / 01:1.7V / 10:1.6V / 11:1.9V
		3:2	Reserved
		1:0	IB control for IB[2], VREF_BUF bias current 00:0.5uA/ 01:1uA/ 10:2uA/ 11: 4uA
0x3877	DG_REG_3V_B2	7:0	Default:0x40 Access:RW
	coarse frequency adjustment	7	{DG_REG_3V_B3[0],DG_REG_3V_B2[7]}
	fine frequency adjustment from 200KHz to 700KHz	6:0	1000000 : default value. No frequency shift from coarse frequency 0010001 : shift - 5 KHz from coarse frequency 0010000 : -10 KHz 0100111 : -15 KHz 0100110 : -20 KHz 0110111 : -25 KHz 0110110 : -30 KHz 0100101 : -35 KHz 0100100 : -40 KHz 0110101 : -45 KHz 0110100 : -50 KHz 0100011 : -55 KHz 0100010 : -60 KHz 0110010 : -70 KHz 0100000 : -80 KHz 0110000 : -90 KHz : : 1110000 : -170 KHz 0000001 : shift + 5 KHz from coarse frequency 0010010 : +10 KHz 0010011 : +15 KHz 0000010 : +20 KHz 0000011 : +25 KHz 0010100 : +30 KHz 0010101 : +35 KHz 0000100 : +40 KHz 0010110 : +50 KHz 0000110 : +60 KHz 0011000 : +70 KHz 0001000 : +80 KHz 0011010 : +90 KHz 0001010 : +100 KHz : : 0001111 : +145 KHz

Analog Configuration Registers				
Addr	Mnemonic	Bits	Description	
0x3878	DG_REG_3V_B3	7:0	Default:0x10	Access:RW
	4 bits to NT trimming temperature coefficient	7:5	{DG_REG_3V_B4[0],DG_REG3V_B3[7:5]}	
	4 bits to PT trimming temperature coefficient	4:1	Positive Temperature Coefficient	
	coarse frequency adjustment	0	00 : 20.8KHz 01 : 32.3KHz 10 : 91.6KHz 11 : 500KHz	
0x3879	DG_REG_3V_B4	7:0	Default:0x03	Access:RW
		7:3	Reserved	
	WD Trig Signal	2	1 : Initialization 0 : Active	
	WD Bias Current Select	1	1:Internal Bias 0:External Bias	
	4 bits to NT trimming temperature coefficient	0	Negative Temperature Coefficient	
0x387B	DG_OSC_B0	7:0	Default:0xBE	Access:RW
	Negative Temperature Coefficient Current Tuning	7:6	{DG_OSC_B1[3:0],DG_OSC_B0[7:6]}	
	Positive Temperature Coefficient Current Tuning	5:0	Output Current=0.5uA	
0x387C	DG_OSC_B1	7:0	Default:0x8F	Access:RW
	Bias Current Tuning	7:4	{DG_OSC_B2[0],DG_OSC_B1[7:4]}	
	Negative Temperature Coefficient Current Tuning	3:0	Output Current=0.5uA	
0x387D	DG_OSC_B2	7:0	Default:0x28	Access:RW
	Charge/Discharge Current Tuning	7:6	{DG_OSC_B3[4:0],DG_OSC_B2[7:6]}	
	Reference Voltage	5:1	VREF=0.6V	

Analog Configuration Registers			
Addr	Mnemonic	Bits	Description
	Tuning		
	Bias Current Tuning	0	Output Current=0.25uA Bias Current =PT Current +NT Current
0x387E	DG_OSC_B3	7:0	Default:0x09 Access:RW
	High Current Mode Current Tuning	7	{DG_OSC_B4[1:0],DG_OSC_B3[7]}
	Test Mode	6:5	B[1:0]=00 No Test Signal Out B[1:0]=01 VREF B[1:0]=10 20uA B[1:0]=11 N/C
	Charge/Discharge Current Tuning	4:0	Charge/Discharge Current=0.5uA
0x387F	DG_OSC_B4	7:0	Default:0x02 Access:RW
		7:2	Reserved
	High Current Mode Current Tuning	1:0	Output Current=0.5uA

9. Package Outline Dimension

9.1 24-Pin QFN Package (4x4)



SYMBOL	DIMENSION (MM)			DIMENSION (MIL)		
	MIN.	NOM.	MAX.	MIN.	NOM.	MAX.
A	0.70	0.75	0.80	27.5	29.5	31.5
A1	0	0.02	0.05	0	0.79	1.97
A3	0.203 REF			8 REF		
b	0.18	0.25	0.30	7.1	9.8	11.8
D	3.90	4.00	4.10	153.5	157.5	161.4
D2	2.40	2.50	2.60	94.5	98.4	102.4
E	3.90	4.00	4.10	153.5	157.5	161.4
E2	2.40	2.50	2.60	94.5	98.4	102.4
e	0.50 BSC			19.7 BSC		
L	0.30	0.40	0.50	11.8	15.7	19.7

Figure 9-1: PL7413 Package Outline Diagram (QFN24 4x4)

10. ORDERING INFORMATION

Table 10-1 : Ordering Information

Model/Device	Package Type	Pins	Package Qty	Prolific Type Code	ECO
PL7413	QFN	24	4000pcs / Reel	PL7413C1FIG8P1	Green (RoHS)
PL7413	QFN	24	4900pcs / Tray	PL7413C1FIG7P1	Green (RoHS)

Disclaimer

All the information in this document is subject to change without prior notice. Prolific Technology Inc. does not make any representations or any warranties (implied or otherwise) regarding the accuracy and completeness of this document and shall in no event be liable for any loss of profit or any other commercial damage, including but not limited to special, incidental, consequential, or other damages.

Trademarks

The Prolific logo is a registered trademark of Prolific Technology Inc. All brand names and product names used in this document are trademarks or registered trademarks of their respective holders.

Copyrights

Copyright © 2016 Prolific Technology Inc. All rights reserved.

No part of this document may be reproduced or transmitted in any form by any means without the express written permission of Prolific Technology Inc.

Prolific Technology Inc.

7F, No. 48, Sec. 3, Nan Kang Rd.
Nan Kang, Taipei 115, Taiwan, R.O.C.
Telephone: +886-2-2654-6363
Fax: +886-2-2654-6161
E-mail: sales@prolific.com.tw
Website: <http://www.prolific.com.tw>