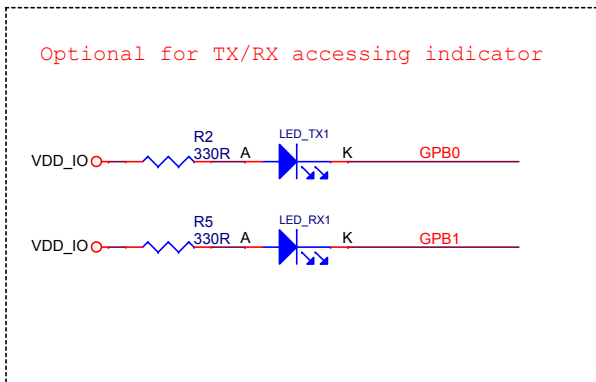
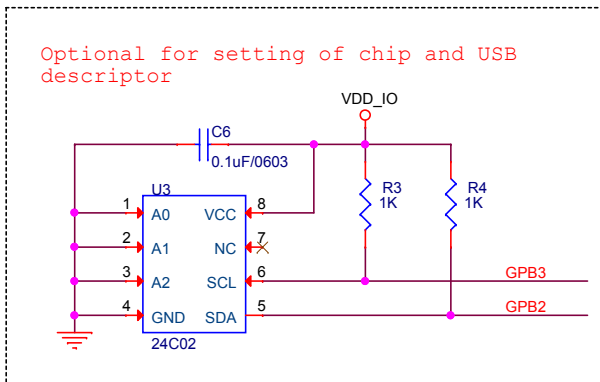
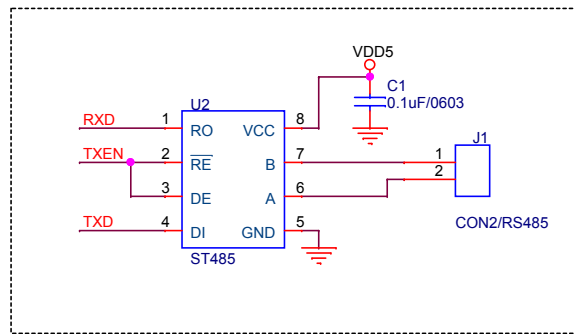
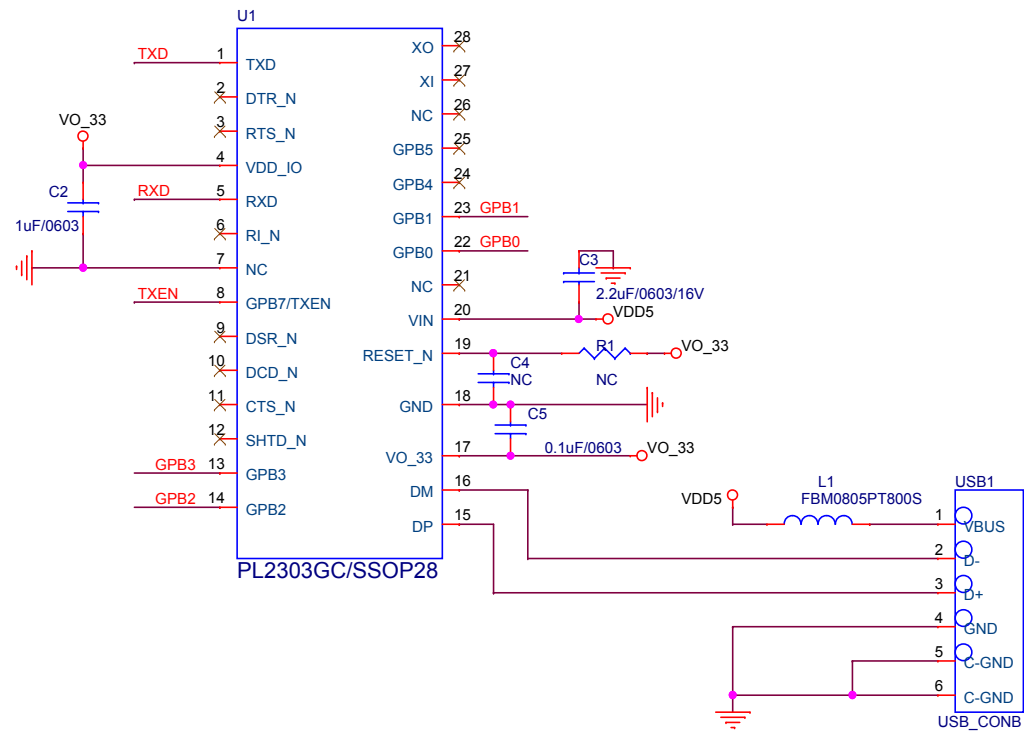



RS-485 Transceiver



	Drawing Name		Designer		Size
	PL2303GC_SSOP28_RS485 schematics				
Version	1.0	Date	1/23/2019	Sheet	1 of 1