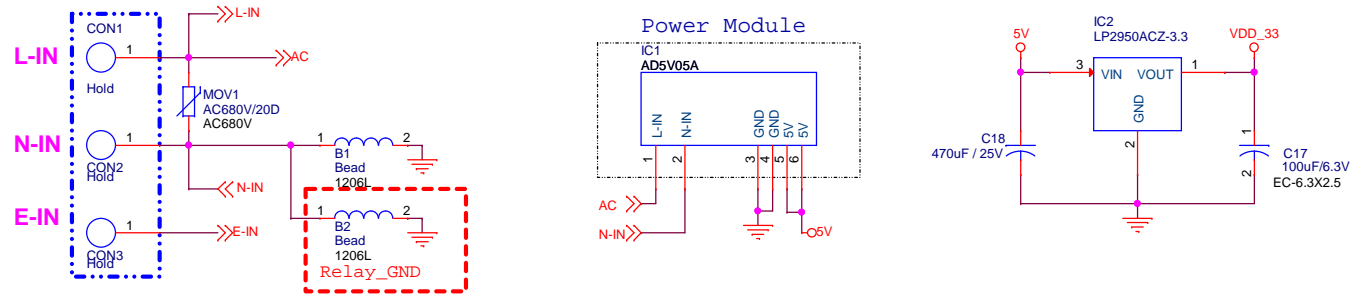


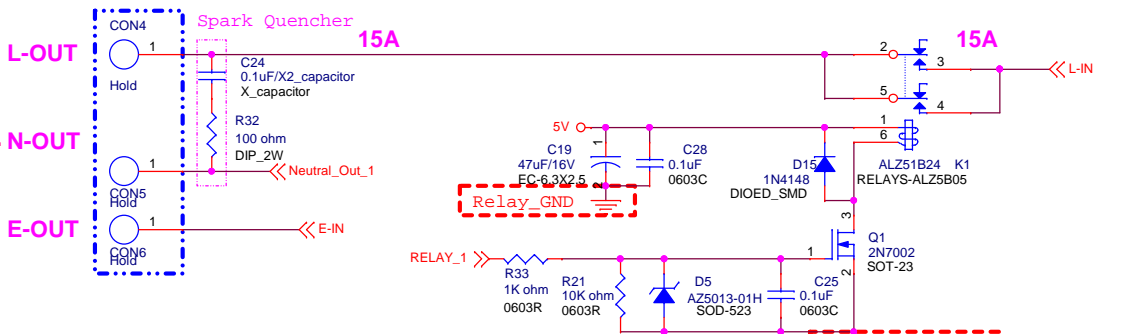
PL7413 1V3I reference circuit

Title		PL7413_circuit
Size	Document Number	Rev
B	<Doc>	A
Date:	Monday, January 16, 2017	Sheet 1 of 2

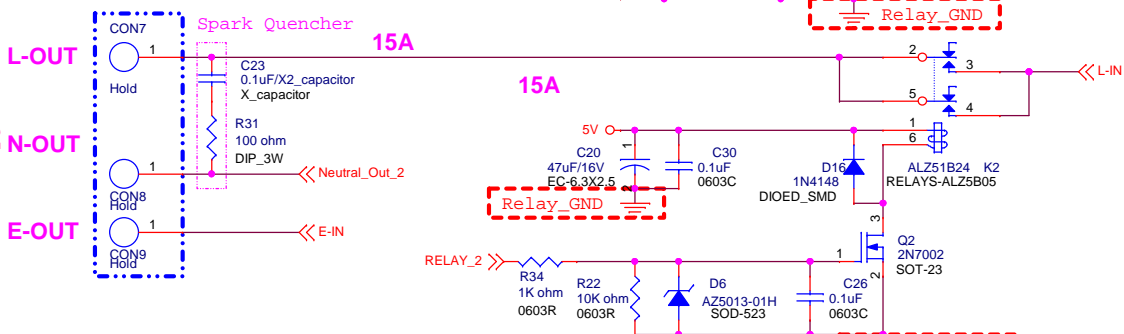
SOURCE



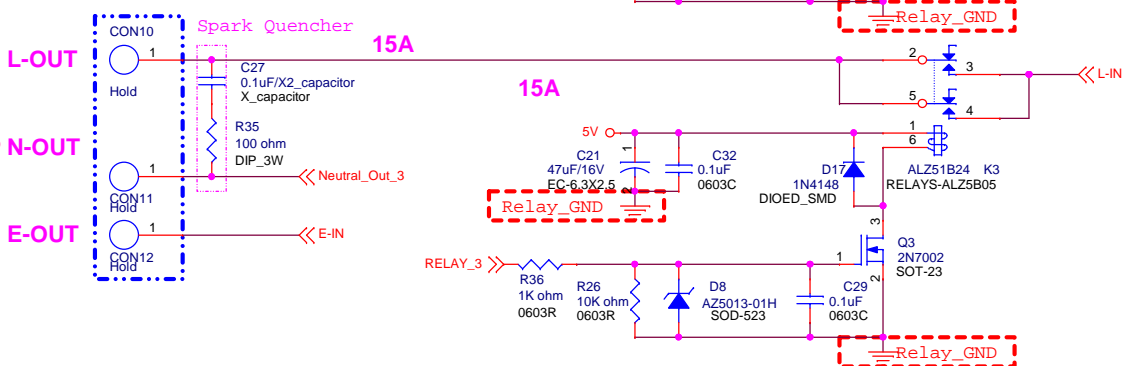
LOAD_1



LOAD_2



LOAD_3



PL7413 1V3I reference circuit		
Title		
Power & Relay		
Size B	Document Number <Doc>	Rev B
Date: Monday, January 16, 2017	Sheet 2	of 2