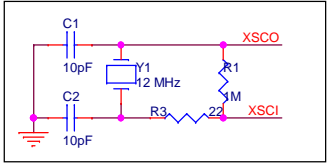


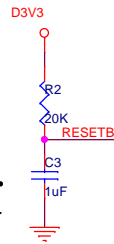
Version	Date	Description	Author
V1.0	2014/5/7	First release	Steven-Huang
V1.1	2014/5/27	Pin Name Modified	Richard-Tsai
V1.2	2014/5/30	Pin Location Modified	Richard-Tsai
V1.3	2014/6/11	Pin Name Modified	Richard-Tsai
V1.4	2014/9/12	Add OPT_0 & OPT_1 note	Richard-Tsai
V1.5	2015/3/9	Modified the reference SPI	Richard-Tsai

<b>PROLIFIC</b>		
Title		
PL2503 LQFP-48 reference schematic		
Size	Document Number	Rev
B	Revision history	1.5
Date:	Monday, March 09, 2015	Sheet 1 of 2

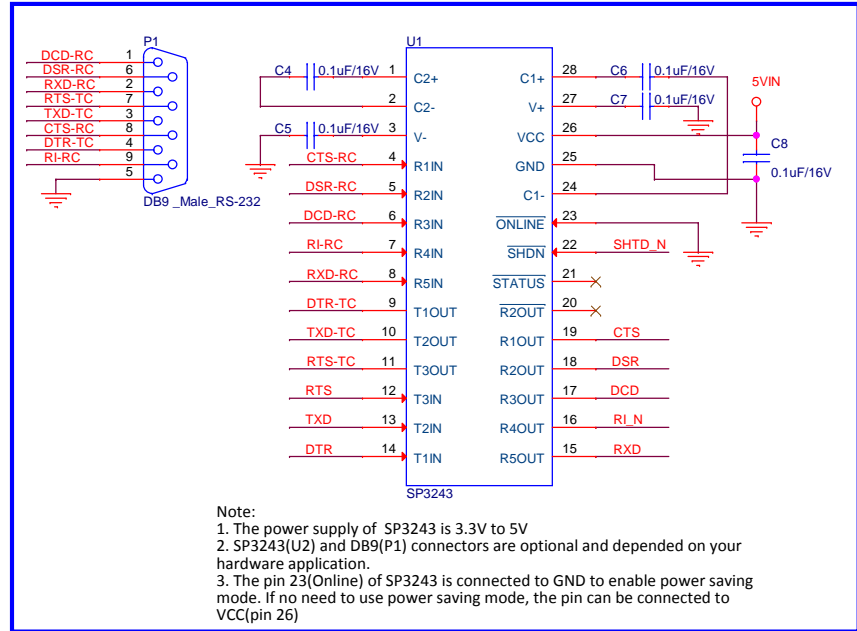


Note:

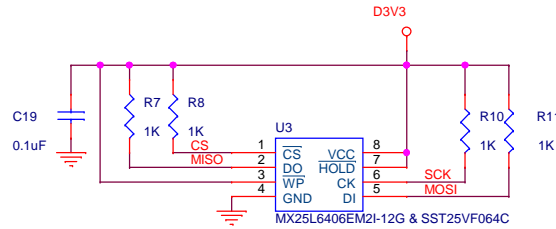
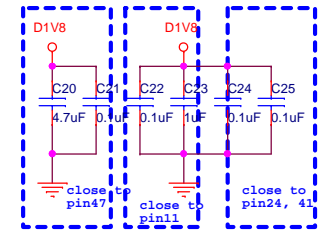
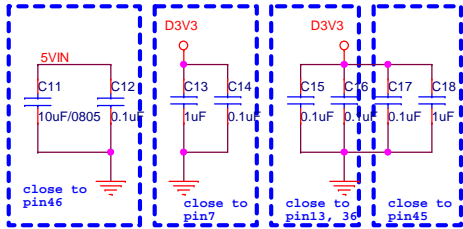
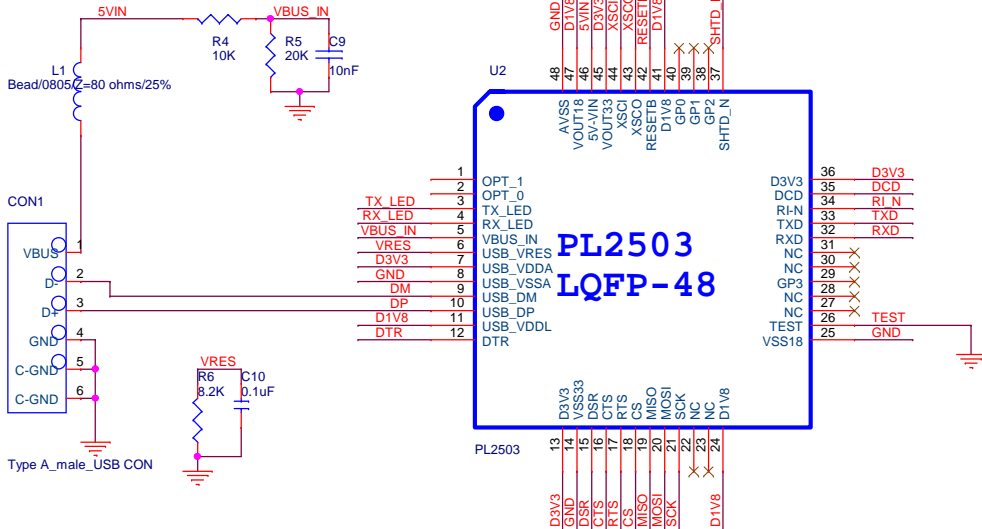
	OPT_1	OPT_0
Always Disable Mass Storage	Don't Care	Low
Always Enable Mass Storage	High	High
Disable Mass Storage if Driver has been installed	Low	High



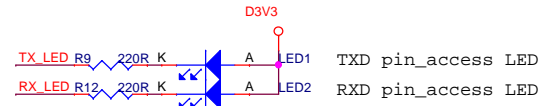
### RS-232



- Note:
1. The power supply of SP3243 is 3.3V to 5V
  2. SP3243(U2) and DB9(P1) connectors are optional and depended on your hardware application.
  3. The pin 23(Online) of SP3243 is connected to GND to enable power saving mode. If no need to use power saving mode, the pin can be connected to VCC(pin 26)



- Note:
1. The SPI flash is used to store the software(such as device drivers, ...).
  2. Please contact Prolific's FAE to get the latest supported flash list.



Title		
PL2503 LQFP-48 reference schematic		
Size	Document Number	Rev
B	Schematic	1.5
Date:	Monday, March 09, 2015	Sheet 2 of 2