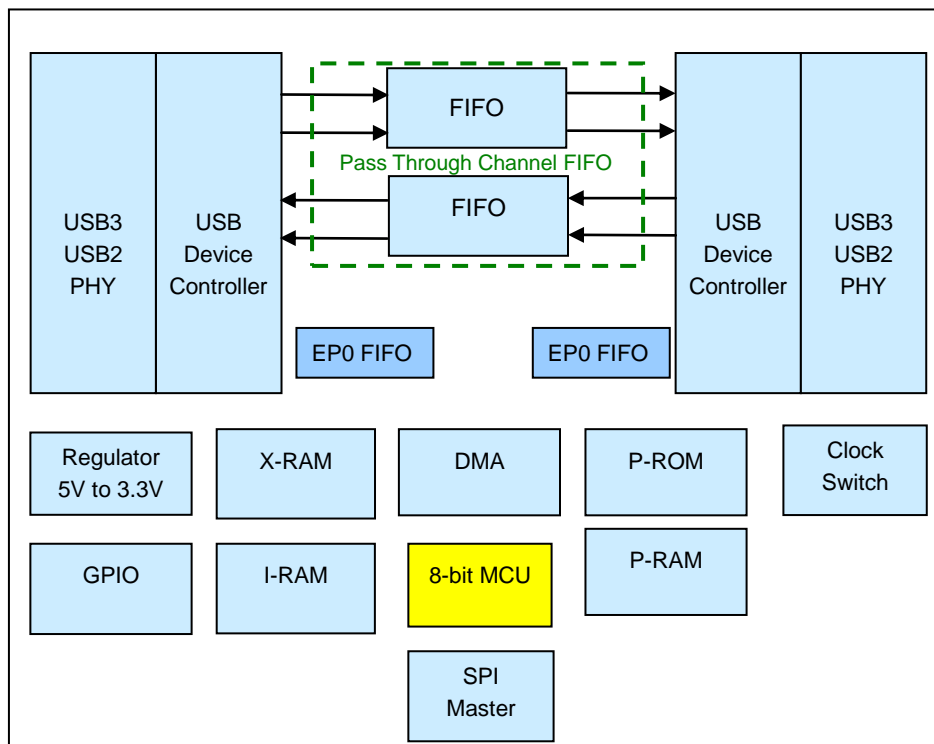


Product Data Sheet

PL27A1

- SuperSpeed USB 3.0 Host-to-Host Bridge Controller
- USB 3.0 and USB 2.0 specification compliant
- Transfer data between two Hosts via USB port
- Supports various transfer protocol modes:

Product ID (PID)	Protocol (by firmware)
27A1	Trans. cable/WINUSB for Prolific PCLinq5 software
27A3	CDC ACM_ Serial device
27A5	RNDIS_ Network adapter
27A7	Trans. cable/WINUSB for custom application software
- WINUSB and CDC/ACM drivers are built in on Windows, Mac OS and Linux(for ACM), An inf file is needed for driver installation on Win7 and 8.1, RNDIS driver is built in on Windows and Linux
- For 27A1 mode, PCLinq5 software can be stored in external SPI Flash and implemented by read-only Mass Storage Device on Windows and Mac OS. Available disk capacity is about 12MB.
- Supports external SPI Flash to customize USB vendor/product ID
- QFN64 Package
- USB Device Interface:
 - 2 x USB Device PHYs
 - Supports 5GHz SuperSpeed, 480MHz Hi-Speed, and 12MHz Full-Speed mode
 - One General Purpose SPI Master controller
 - USB Endpoint 0 for Control Endpoint with dedicated 512 bytes buffer for each USB
 - Highly configurable endpoint structure
 - Pass Through Channel FIFO architecture can utilize full USB bandwidth for data transferring
 - Provides LED pin for access indicator
- 8-bit High Performance 1T 8032 MCU
- 3.3V Digital I/O Pad
- 1.2V Power Supply for Core
- Built-in 5V to 3V linear low-dropout regulator
- Embedded Power on Reset (POR)
- 30MHz crystal oscillator for both USB PHYs



System Block Diagram

Ordering Information

Product	Package Type	Ordering Number
PL27A1	64-pin QFN (9x9mm)	PL27A1A4FKG7P1

Table of Contents

Ordering Information	2
1. Overview	5
Features	7
2. Functional Block Diagram	8
3. Pin Diagram	9
4. Pin Assignment & Description	10
4.1 USB0 PHY Related Pins	10
4.2 USB1 PHY Related Pins	10
4.3 System Pins	11
5. Functional Description	12
5.1 USB3 / USB2 PHY	12
5.2 USB Device Controller	12
5.3 Pass-Through Channel FIFO	12
5.4 EP0 FIFO	12
5.5 Regulator	12
5.6 Clock Switch	12
5.7 8-bit MCU	12
5.8 P-ROM	12
5.9 256B I-RAM	13
5.10 X-RAM	13
5.11 GPIO and PWM	13
5.12 DMA	13
5.13 SPI Flash Controller	13
6. Electrical Characteristics	14
6.1 Absolute Maximum Ratings	14
6.2 Recommended Operating Conditions	14
6.3 Recommended Operating Conditions of 3.3V GPIO	14
6.4 Operating Current	15
7. Outline Diagram	16

List of Figures

Figure 1-1 Target Application (USB 3.0 to USB 3.0 Host Cable)	5
Figure 2-1 Functional Block Diagram	8
Figure 3-1 PL27A1 Pin Diagram (QFN64).....	9
Figure 7-1 Outline Diagram of QFN64.....	16

List of Tables

Table 4-1 USB0 PHY Related Pins	10
Table 4-2 USB1 PHY Related Pins	10
Table 4-3 System Pins	11
Table 6-1 Absolute Maximum Ratings.....	14
Table 6-2 Recommended Operating Conditions	14
Table 6-3 Recommended Operating Conditions of 3.3V GPIO.....	14
Table 6-4 Operating Current	15

1. Overview

The PL27A1 is a single-chip SuperSpeed USB 3.0 Host-to-Host bridge controller specially designed for USB host to host data transfer. SuperSpeed USB has data transfer bandwidth of up to 5Gbps offering 10X performance increase over Hi-Speed USB 2.0 (480Mbps). SuperSpeed USB is backward compatible and interoperates with all USB3.0/USB2.0/USB1.1 hosts, devices, and hubs.

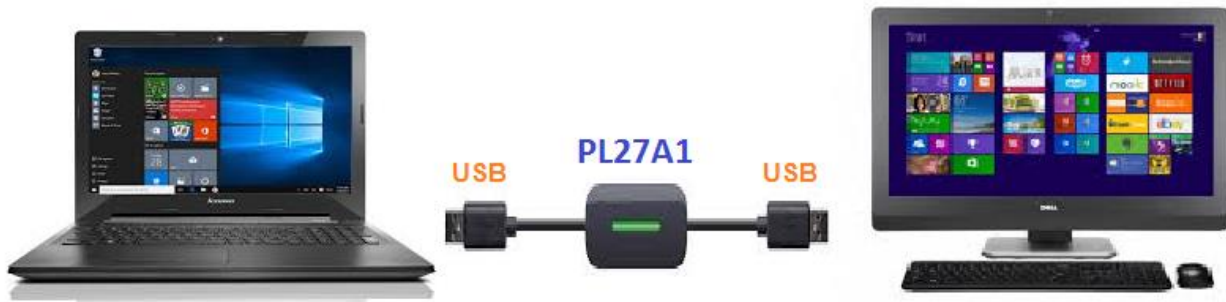


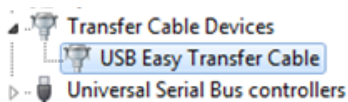
Figure 1-1 Target Application (USB 3.0 to USB 3.0 Host Cable)

The PL27A1 chip offers external firmware for various data transfer mode protocols:

Part Number	External Firmware Function Mode	USB VID/PID (by firmware)	Transfer Cable (WINUSB)	UART (CDC/ACM)	Remote NDIS	Package
PL27A1	Easy Transfer Cable	067B/27A1	V			QFN64
PL27A1	Serial Device	067B/27A3		V		QFN64
PL27A1	RNDIS(Network adapter)	067B/27A5			V	QFN64
PL27A1	Custom Transfer Cable	067B/27A7	V			QFN64

- **27A1 Mode (USB Easy Transfer Cable):**

This mode enumerates the cable as a USB Easy Transfer Cable device using built-in WINUSB driver.



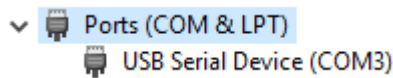
This cable mode is originally designed for Microsoft Windows Easy Transfer (WET) program built inside Windows Vista, Windows 7, and Windows 8 and also available for installation in Windows XP. Using the Windows Easy Transfer program, the PL27A1 USB 3.0 transfer cable allows users to easily connect an old computer running Microsoft Windows XP/Vista/7/8 to another new computer running Windows Vista/7/8 thru the USB ports. Once the program has established connection for both computers, the user can then easily transfer large data files and program settings from the old computer to the new computer. It's the fastest and easiest way to transfer files and program settings from an old Windows PC to a new Windows PC. Users can still use the cable in Windows 8.1 and 10 by copying the old WET program in

Windows 7 or 8.

The PL27A1 also comes with the Prolific PCLinq5 file transfer software for Windows and Mac. PCLinq5 is a versatile user-friendly file manager program that allows the end-user to see and control file directories on both PCs and Macs at the same time. End-users can easily drag-and-drop or cut-and-paste files and folders between remote and local PCs as well as creating new folders and changing file attributes. PCLinq5 supports Windows XP, Vista, 7, 8, and 10 versions as well as Mac OS X latest versions.

- **27A3 Mode (USB Serial Device):**

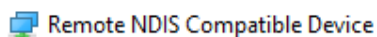
This mode enumerates the cable as a USB Serial Device with virtual COM port on both ends of the host systems using built-in CDC/ACM driver.



USB Communication Device Class (ACM) driver is built inside Windows 10, Mac OS X, and Linux OS which provides a virtual COM port software interface when the cable device is plugged to the computer. The CDC/ACM driver is also available for installation in Windows 7 or Windows 8 by simple INF driver update. By using Serial COM port terminal programs (like HyperTerminal, TeraTerm or Putty), the 27A3 mode cable allows users to easily transfer data between two computers by simply selecting the assigned COM Port number. Once the serial terminal program has established the virtual COM port connection for both computers, the user can then easily transfer large raw data from one computer to another.

- **27A5 Mode (Network Adapter/RNDIS):**

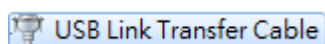
This mode enumerates the device as a Remote NDIS network device on both ends of the USB host.



Fully compliant to Remote NDIS Specification, users can easily communicate between two PCs by using network TCP/IP protocol. Transfer files quickly from one USB host to another and even build a small network and share Internet connection with other PCs. No need to install network drivers or add-on cards. Users can share programs, files, and peripherals easily.

- **27A7 Mode (Custom USB Transfer Cable):**

This mode enumerates the cable as a custom USB Transfer Cable device using built-in WINUSB driver installed by an inf file on Win7(inf file is not needed on Win8.1 and Win10.)



Users can use the mode to define the custom transferring protocol and develop the custom software to implement normal, audio or video data-transferring with less latency. User can use LibUSB library to control the cable device to transfer data between two Linux PCs.

The PL27A1 chip solution is especially suitable for those who need easy bulk data transfer between two USB hosts - either notebook PC or desktop PC or other USB host systems or devices like SETUP boxes, SmartTVs, smartphones and tablets.

Features

- SuperSpeed USB 3.0 Host-to-Host Bridge Controller
- USB 3.0 and USB 2.0 specification compliant
 - SuperSpeed (5Gbps), Hi-Speed (480Mbps), and Full-Speed (12Mbps)
- Transfer data between two USB Hosts (up to SuperSpeed USB 3.0)
- Supports firmware customization for various transfer protocol modes:
 - 27A1 mode – WINUSB (Easy Transfer Cable)
 - 27A3 mode – CDC/ACM (USB Serial Device)
 - 27A5 mode – RNDIS (Network Cable)
 - 27A7 Mode – WINUSB (Custom USB Transfer Cable)
- WINUSB and CDC/ACM drivers are built in on Windows, Mac OS and Linux(for ACM), An inf file is needed for driver installation on Win7 and 8.1. RNDIS driver is built in on Windows and Linux
- Easy Transfer Cable fully supports Microsoft Windows Easy Transfer built-in software in Windows Vista, Windows 7, and Windows 8.
- Prolific provides royalty-free PCLinq5 software for Windows XP/7/8/10 (Easy Transfer Cable) and Mac OS.
- Compliant with Remote NDIS Specification. Users can link two PCs thru the USB port using network TCP/IP protocol.
- For 27A1 mode, PCLinq5 software can be stored in external SPI Flash and implemented by read-only Mass Storage Device on Windows and Mac OS. Available disk capacity is about 12MB.
- 8-bit high-performance 1T 8032 MCU
- USB device interface
 - Two USB device PHYs
 - USB endpoint 0 for control endpoint with dedicated 512 bytes buffer for each USB side
 - Highly configurable endpoint structure. Each endpoint can be configured as interrupt, bulk, and isochronous endpoint.
 - Pass Through Channel FIFO architecture utilize full USB bandwidth for data transfer
- Peripherals
 - One SPI Flash Controller for external SPI Serial Flash Memory
 - Supports DMA feature between external SPI flash and internal FIFO
 - Supports multi-vendor SPI Serial Flash Memory
- 3.3V Digital I/O Pad and 1.2V power supply for core
- Built-in 5V to 3V linear low-dropout regulator, Bus powered from either USB port
- Embedded power-on reset (POR)
- 30MHz crystal oscillator (shared by both USB PHYs)
- Supports external SPI Flash to customize USB vendor/product ID
- Supports LED indicator for connection and transfer status
- QFN64 Package

2. Functional Block Diagram

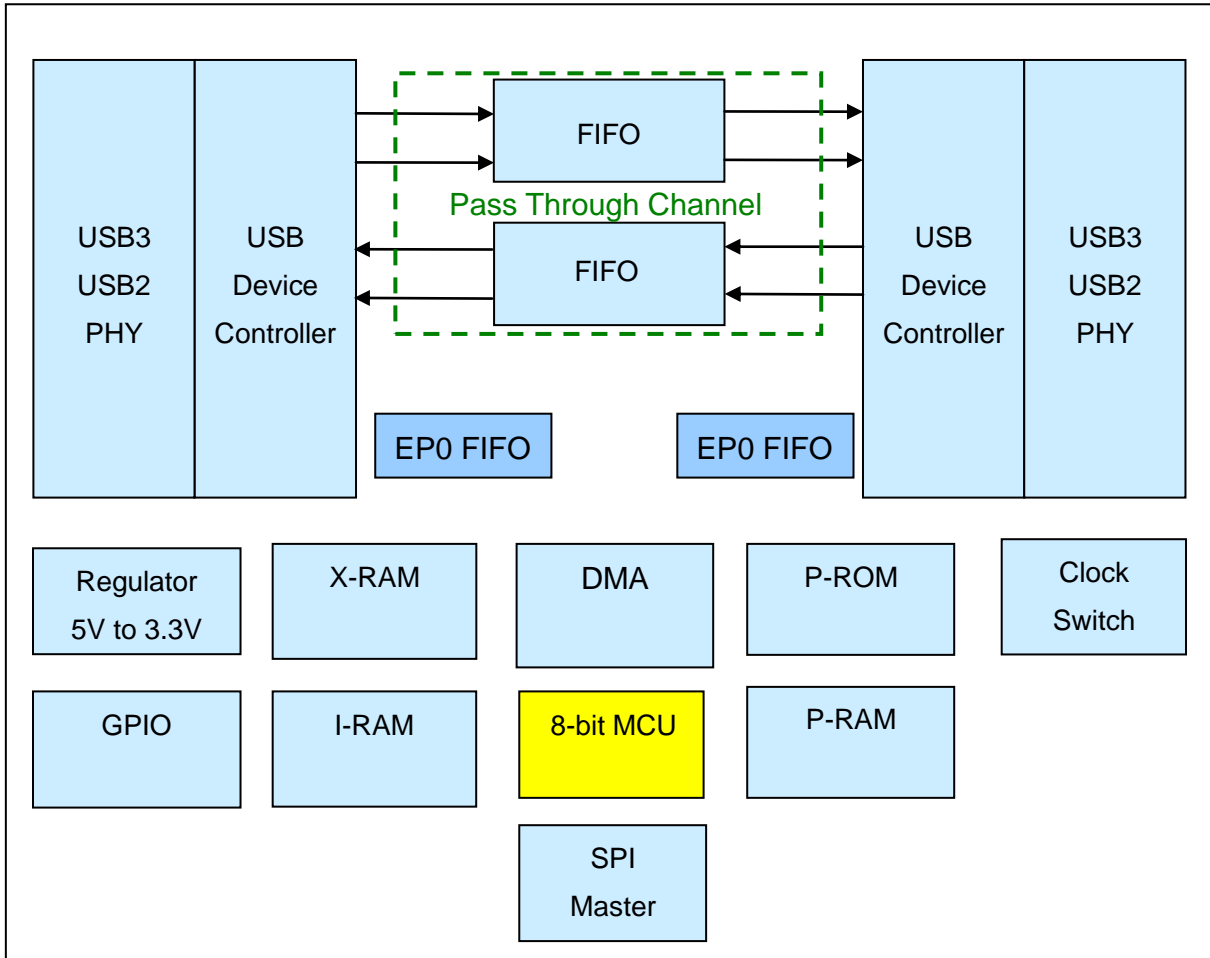


Figure 2-1 Functional Block Diagram

3. Pin Diagram

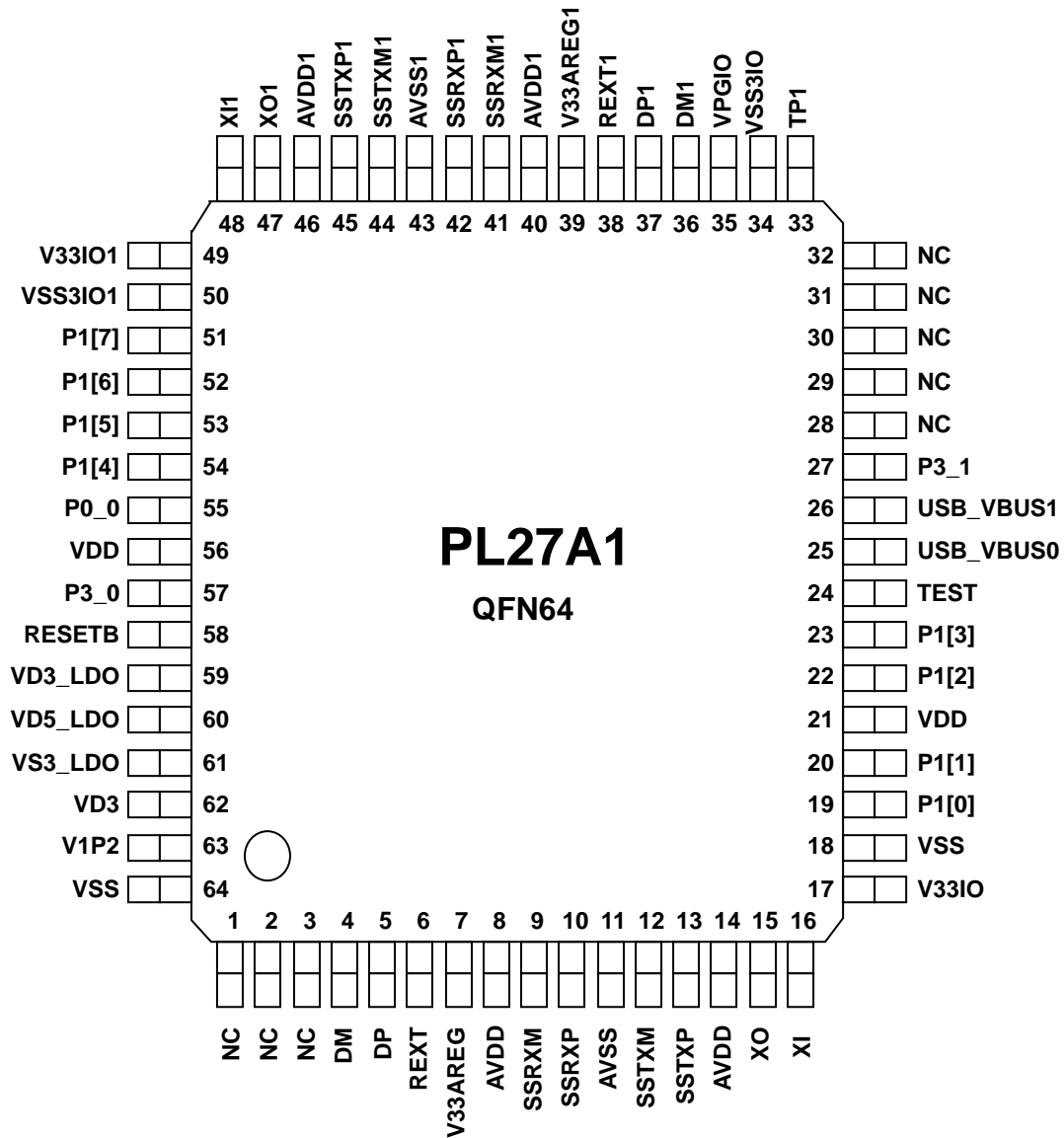


Figure 3-1 PL27A1 Pin Diagram (QFN64)

4. Pin Assignment & Description

Pin Type Abbreviation:

I: Input	O: Output	B: Bidirectional	A: Analog	P: Power/Ground
----------	-----------	------------------	-----------	-----------------

4.1 USB0 PHY Related Pins

Table 4-1 USB0 PHY Related Pins

Symbol	Type	Pin No	Description
DM	B	4	High speed D- signal
DP	B	5	High speed D+ signal
REXT	A	6	Connect external resistor to analog ground
V33AREG	P	7	Analog power 3.3V for on-chip USB 2.0 PHY
AVDD	P	8	Analog power 1.2V for on-chip USB PHY
SSRXM	I	9	SuperSpeed RXM signal
SSRXP	I	10	SuperSpeed RXP signal
AVSS	P	11	Analog power 3.3V for on-chip USB PHY
SSTXM	O	12	SuperSpeed TXM signal
SSTXP	O	13	SuperSpeed TXP signal
AVDD	P	14	Analog power 1.2V for on-chip USB PHY
XO	B	15	Crystal oscillator 30MHz clock output
XI	I	16	Crystal oscillator 30MHz clock input
AVDD3/V33IO	P	17	Analog power 3.3V for on-chip USB PHY

4.2 USB1 PHY Related Pins

Table 4-2 USB1 PHY Related Pins

Symbol	Type	Pin No	Description
DM1	B	36	High speed D- signal
DP1	B	37	High speed D+ signal
REXT1	A	38	Connect external resistor to analog ground
V33AREG1	P	39	Analog power 3.3V for on-chip USB 2.0 PHY
AVDD1	A	40	Analog power 1.2V for on-chip USB PHY
SSRXM1	I	41	SuperSpeed RXM signal
SSRXP1	I	42	SuperSpeed RXP signal
AVSS1	P	43	Analog power 3.3V for on-chip USB PHY
SSTXM1	O	44	SuperSpeed TXM signal
SSTXP1	O	45	SuperSpeed TXP signal
AVDD1	P	46	Analog power 1.2V for on-chip USB PHY
XO1	B	47	Crystal oscillator 30MHz clock output
XI1	I	48	Crystal oscillator 30MHz clock input
AVDD31/V33IO1	P	49	Analog power 3.3V for on-chip USB PHY

4.3 System Pins

Table 4-3 System Pins

Symbol	Type	Pin No	Description
VSS3IO	P	18	3.3V I/O ground
P1[0]	B	19	LED_TRAN: P1[0] – Control pin for LED behavior during data transfer operation of relative USB side.
P1[1]	B	20	LED_TRAN: P1[1] – Control pin for LED behavior during data transfer operation of relative USB side.
VDD	P	21	1.2V core power
P1[2]	B	22	GPIO P1[2]
P1[3]	B	23	GPIO P1[3]
TEST	I	24	Chip Test mode enable. Must be NC or tied to Ground.
USB_VBUS0	I	25	USB power signal from side 0 USB VBUS
USB_VBUS1	I	26	USB power signal from side 1 USB VBUS
P3_1	B	27	LED_indicator: Control pin for single LED mode during any side data transfer operation.
TP1	I	33	Must be pulled down(4.7KΩ) to GND.
VSS3IO	P	34	3.3V I/O ground
VPPIO	P	35	3.3V Power pin
VSS3IO1	P	50	3.3V I/O ground
P1[7]	B	51	Must be floating if not used.
P1[6]	B	52	Must be floating if not used.
P1[5]	B	53	Serial Flash Data Output. Must be floating if not used.
P1[4]	B	54	Serial Flash Data Input. Must be floating if not used.
P0[0]	B	55	Serial Flash Clock Input. Must be floating if not used.
VDD	P	56	1.2V Core Power
P3_0	B	57	Serial Flash Chip Select. Must be floating if not used.
RESETB	I	58	External reset pin, active low
VD3_LDO	P	59	3.3V LDO regulator output voltage
VD5_LDO	P	60	5V LDO regulator input voltage
VS3_LDO	P	61	Ground of LDO
VD3	P	62	3.3V regulator input voltage (from LDO output)
V1P2	P	63	1.2V Power Input
VSS	P	64	Ground
NC	B	1,2,3, 28~32	No Connection. Keep floating.

5. Functional Description

5.1 USB3 / USB2 PHY

The USB physical layer IP generates and responds USB electrical signals. These two USB physical layers IP comply with USB 3.0 and USB 2.0 specification. The USB 3.0 part uses PIPE interface to communicate with USB 3.0 controller while the USB 2.0 part uses UTMI interface to communicate with USB 2.0 controller.

5.2 USB Device Controller

The USB device controller generates and decodes USB transactions including packet header, CRC check, data payload, etc. This controller acts as USB device that can accept host transaction and responds data or status. Each USB device controller has dedicated control endpoint FIFO to handle USB SETUP token and its data transfer.

5.3 Pass-Through Channel FIFO

The Pass-Through Channel FIFO can be used to transfer data packet between two USB controllers side. When the data packet is inputted from one USB side, the other side can output it directly. There are two pairs (IN and OUT) pass-through channels in this chip.

5.4 EP0 FIFO

The EP0 FIFO is used to endpoint 0 transfer data packet only for each side and the size is a maximum packet size of every USB speed mode.

5.5 Regulator

The Regulator IP is included to generate IO 3.3V supply voltage.

5.6 Clock Switch

Clock switch is designed to handle clock switch between two sides USB at attach/detach and suspend/resume state.

5.7 8-bit MCU

This chip uses high performance 1T 8032 8-bit microcontroller. It provides higher performance than general 8032 MCU.

5.8 P-ROM

There is a Program ROM in this chip. After power on reset, the MCU of this chip runs program from this Program ROM (P-ROM).

5.9 256B I-RAM

256 bytes IDATA RAM for 8032 MCU. This memory space can provide high speed scratchpad memory for MCU.

5.10 X-RAM

XDATA RAM for 8032 MCU. This is MCU data memory located at XDATA space and MCU uses it to store data in process.

5.11 GPIO and PWM

Two PWM signal generators which can be used to control LED flashing behavior. There are also some GPIO signals that can be controlled directly by MCU. These signals are multiplexed with peripherals. If some peripherals are turned on, the GPIO signals which is multiplexed will be disabled and these signals change to peripheral signals.

5.12 DMA

The DMA controller is used to transfer data between FIFO XDATA RAM and peripherals. MCU can control this DMA to get data from FIFO or to put data to FIFO from XDATA RAM. It can also be used to transfer data between P-RAM to SPI flash controller or eMMC flash controller.

5.13 SPI Flash Controller

SPI Flash Controller can be used to access data of SPI serial flash memory. The SPI clock rate can be adjusted by MCU.

6. Electrical Characteristics

6.1 Absolute Maximum Ratings

Table 6-1 Absolute Maximum Ratings

SYMBOL	PARAMETER	RATING	UNITS
V _{CCK}	1.2V Core Power Supply	-0.3 to 1.4	V
V _{CC}	3.3V Power Supply	-0.3 to 4.0	V
V _{D5}	5V Power Supply	-0.3 to 6.0	V
V _{IN3}	Input Voltage of 3.3V I/O	-0.3 to V _{CC3I} +0.3	V
	Input Voltage of 3.3V I/O with 5V Tolerance	-0.3 to 5.5	
T _{STG}	Storage Temperature	-40 to 150	°C

6.2 Recommended Operating Conditions

Table 6-2 Recommended Operating Conditions

SYMBOL	PARAMETER	MIN	TYP	MAX	UNITS
V _{D5}	5V Power Supply	4.5	5	5.5	V
V _{CCK}	1.2V Core Power Supply	1.14	1.2	1.26	V
V _{CC3I}	Power Supply of 3.3V I/O	3.0	3.3	3.6	V
T	Operating Temperature	0	25	70	°C

6.3 Recommended Operating Conditions of 3.3V GPIO

Table 6-3 Recommended Operating Conditions of 3.3V GPIO

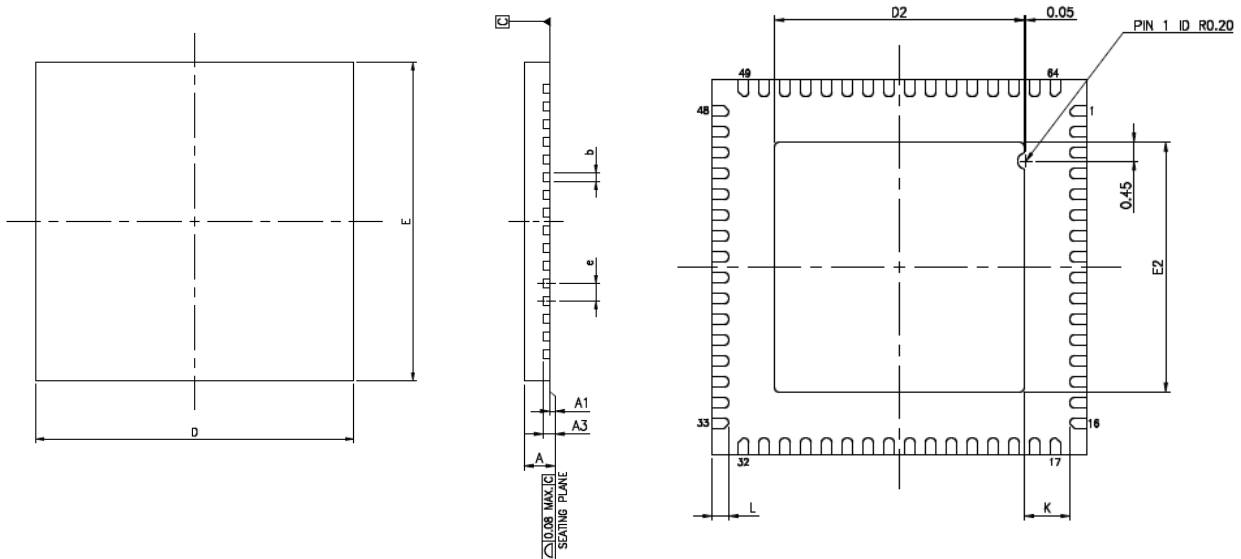
SYMBOL	PARAMETER	MIN	TYP	MAX	UNITS
V _{DD33}	I/O Supply Voltage	3.0	3.3	3.6	V
V _{IH}	Input High Voltage	2.0		5.5	V
V _{IL}	Input Low Voltage	-0.3		0.8	V
R _{PU}	Pull-up Resistor	62	77	112	kΩ
V _{OL}	Output Low Voltage			0.4	V
V _{OH}	Output High Voltage	2.4			V
I _{OL}	Low Level Output Current @V _{OL} =0.4V	8			mA
I _{OH}	High Level Output Current @V _{OL} =2.4V	12			mA

6.4 Operating Current

Table 6-4 Operating Current

Symbol	Parameter	Connection	Current of 3.3V	Current of 1.2V	Units
I_{DD}	Operating Current	USB 3.0	57	251	mA
		USB 2.0	41	85	mA
I_{SUS}	Suspend Current (Sleep, bus-powered)	USB 3.0	0.6	0.8	mA
		USB 2.0	0.9	0.65	mA

7. Outline Diagram



	PACKAGE TYPE		
JEDEC OUTLINE	MO-220		
PKG CODE	VQFN (Y964)		
SYMBOLS	MIN.	NOM.	MAX.
A	0.80	0.85	0.90
A1	0.00	0.02	0.05
A3	0.203 REF.		
B	0.18	0.25	0.30
D	9.00 BSC		
E	9.00 BSC		
e	0.50 BSC		
K	0.20	-	-

PAD SIZE	E2			D2			L			LEAD FINISH		JEDEC CODE
	MIN.	NOM.	MAX.	MIN.	NOM.	MAX.	MIN.	NOM.	MAX.	Pure Tin	PPF	
244x244 MIL	5.90	6.00	6.05	5.90	6.00	6.05	0.35	0.40	0.45	V	X	(V) WMMD-4

NOTES:

- All dimensions are in millimeters.
- Dimension b applies to metallized terminal and is measured between 0.15mm and 0.30mm from the terminal tip. If the terminal has the optional radius on the other end of the terminal, the dimension b should not be measured in that radius area.
- Bilateral coplanarity zone applies to the exposed heat sink slug as well as the terminals.

Figure 7-1 Outline Diagram of QFN64

Disclaimer

All the information in this document is subject to change without prior notice. Prolific Technology Inc. does not make any representations or any warranties (implied or otherwise) regarding the accuracy and completeness of this document and shall in no event be liable for any loss of profit or any other commercial damage, including but not limited to special, incidental, consequential, or other damages.

Trademarks

The Prolific logo is a registered trademark of Prolific Technology Inc. All brand names and product names used in this document are trademarks or registered trademarks of their respective holders.

Copyrights

Copyright © 2013-2019 Prolific Technology Inc. All rights reserved.

No part of this document may be reproduced or transmitted in any form by any means without the express written permission of Prolific Technology Inc.