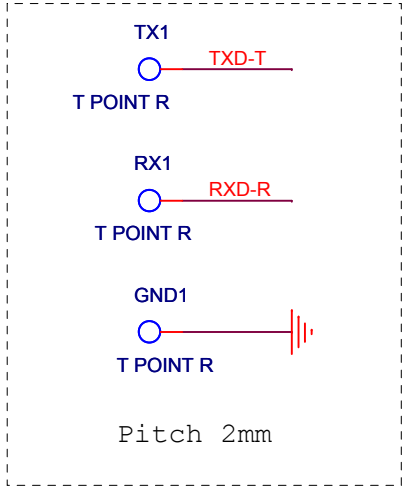
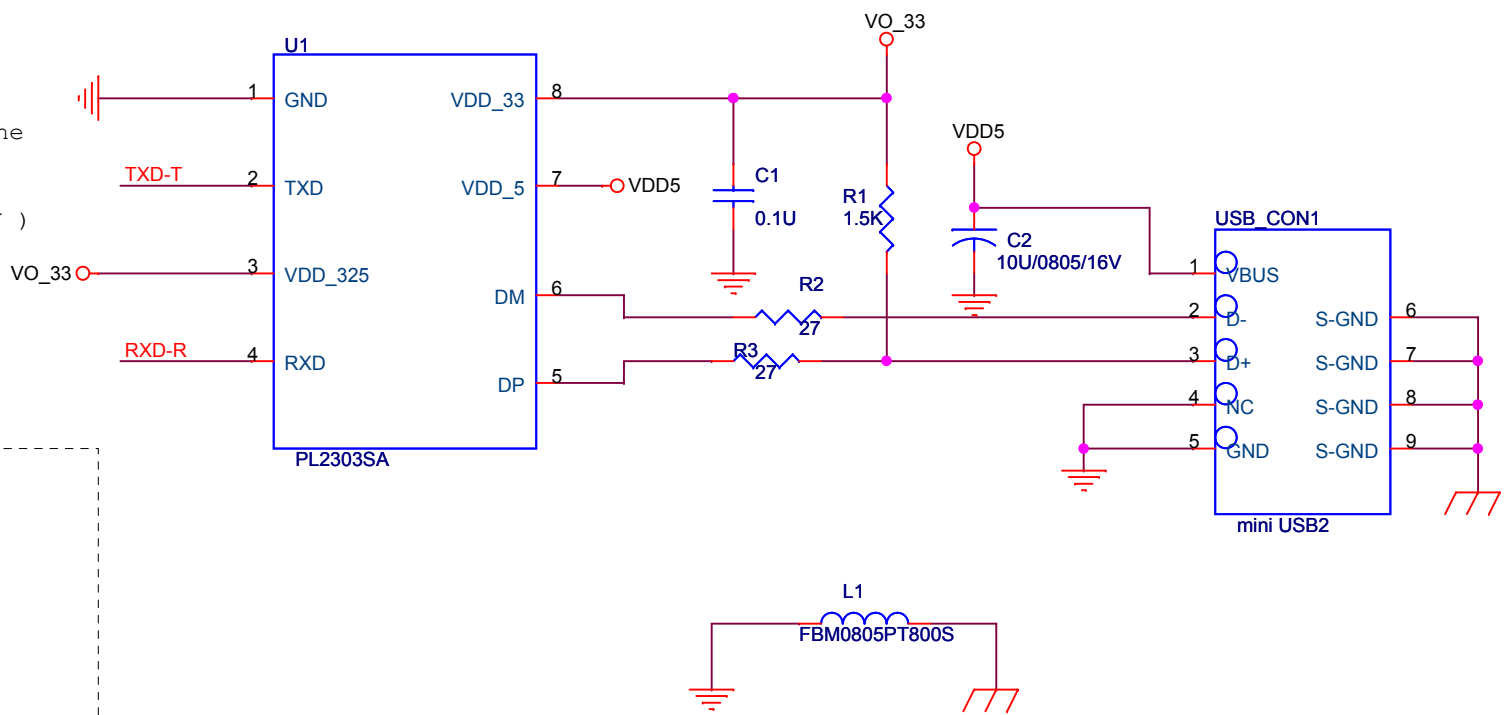


The pin 3 voltage level define
 by your application.
 (Tolerant range : 1.8 ~ 3.3 V)



Title		
Prolific Technology Inc		
Size	Document Number	Rev
A	USB to RS232 TX/RX	1.0
Date:	Thursday, March 29, 2012	Sheet 1 of 1