



# PL2303TB

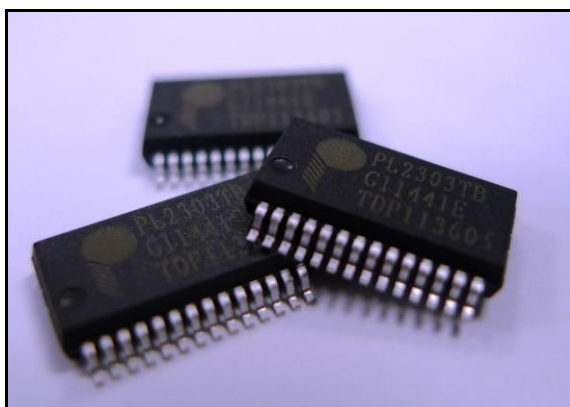
## USB to Serial Bridge Controller

### Product Datasheet

---

Document Revision: 1.1.0

Document Release: June 22, 2012



#### **Prolific Technology Inc.**

7F, No. 48, Sec. 3, Nan Kang Rd.

Nan Kang, Taipei 115, Taiwan, R.O.C.

Telephone: +886-2-2654-6363

Fax: +886-2-2654-6161

E-mail: [sales@prolific.com.tw](mailto:sales@prolific.com.tw)

Website: <http://www.prolific.com.tw>

## **Disclaimer**

All the information in this document is subject to change without prior notice. Prolific Technology Inc. does not make any representations or any warranties (implied or otherwise) regarding the accuracy and completeness of this document and shall in no event be liable for any loss of profit or any other commercial damage, including but not limited to special, incidental, consequential, or other damages.

## **Trademarks**

The Prolific logo is a registered trademark of Prolific Technology Inc. All brand names and product names used in this document are trademarks or registered trademarks of their respective holders.

## **Copyrights**

**Copyright © 2012 Prolific Technology Inc. All rights reserved.**

No part of this document may be reproduced or transmitted in any form by any means without the express written permission of Prolific Technology Inc.

---

## Revision History

Revision	Description	Date
1.1.0	<ul style="list-style-type: none"><li>➤ Modify Pin Description and GPIO Pin Configuration regarding DTR_N and RTS_N pins.</li><li>➤ Modify 7.0 EEPROM Configuration regarding PWM_0(DTR_N) description.</li></ul>	June 22, 2012
1.0.1	<ul style="list-style-type: none"><li>➤ Modify Ordering Information</li></ul>	May 4, 2012
1.0.0	<ul style="list-style-type: none"><li>➤ PL2303TB Product Datasheet – Formal Release</li></ul>	April 12, 2012

## Table of Contents

<b>1.0</b>	<b>FEATURES.....</b>	<b>6</b>
1.1	Prolific USB to Serial Product Comparison.....	7
1.2	Product Applications.....	8
<b>2.0</b>	<b>FUNCTIONAL BLOCK DIAGRAM.....</b>	<b>9</b>
<b>3.0</b>	<b>INTRODUCTION .....</b>	<b>10</b>
<b>4.0</b>	<b>PIN ASSIGNMENT OUTLINE .....</b>	<b>11</b>
<b>5.0</b>	<b>PIN ASSIGNMENT &amp; DESCRIPTION.....</b>	<b>12</b>
<b>6.0</b>	<b>GPIO PIN CONFIGURATION.....</b>	<b>14</b>
<b>7.0</b>	<b>EEPROM CONFIGURATION .....</b>	<b>15</b>
<b>8.0</b>	<b>DATA FORMATS &amp; PROGRAMMABLE BAUD RATE GENERATOR.....</b>	<b>18</b>
<b>9.0</b>	<b>DC &amp; TEMPERATURE CHARACTERISTICS.....</b>	<b>19</b>
9.1	Absolute Maximum Ratings.....	19
9.2	DC Characteristics .....	19
9.3	Clock Characteristics .....	21
9.4	Temperature Characteristics .....	21
9.5	Leakage Current and Capacitance.....	21
9.6	Power-On Reset .....	21
<b>10.0</b>	<b>SPECIAL GPIO APPLICATION REFERENCE SCHEMATIC .....</b>	<b>22</b>
<b>11.0</b>	<b>OUTLINE DIAGRAM.....</b>	<b>24</b>
11.1	SSOP28 Package .....	24
<b>12.0</b>	<b>ORDERING AND CHIP MARKING INFORMATION .....</b>	<b>25</b>
<b>13.0</b>	<b>CONTACT INFORMATION .....</b>	<b>26</b>

## List of Figures

Figure 1-1 PL2303TB Product Application Areas.....	8
Figure 2-1 Block Diagram of PL2303TB.....	9
Figure 4-1 Pin Assignment Outline of PL2303TB.....	11
Figure 6-1 PL2303TB GPIO Test Program.....	14
Figure 7-1 PL2303TB EEPROM Writer Program.....	15
Figure 9-1 Power-On Reset Diagram.....	21
Figure 10-1 PL2303TB Reference Schematic.....	22
Figure 10-2 PL2303TB Special GPIO Reference Schematic.....	23
Figure 11-1 Outline Diagram of PL2303TB SSOP28.....	24
Figure 12-1 Chip Part Number Information.....	25

## List of Tables

Table 5-1 Pin Assignment & Description.....	12
Table 6-1 GPIO Pin Configuration Options.....	14
Table 7-1 EEPROM Configuration Options.....	16
Table 8-1 Supported Data Formats.....	18
Table 8-2 Baud Rate Settings (Supported by Standard Driver).....	18
Table 9-1 Absolute Maximum Ratings.....	19
Table 9-2 Operating Voltage and Suspend Current.....	19
Table 9-2-1 3.3V I/O Pins.....	19
Table 9-2-2a VDD_325@3.3V Serial I/O Pins.....	20
Table 9-2-2b VDD_325@2.5V Serial I/O Pins.....	20
Table 9-2-2c VDD_325@1.8V Serial I/O Pins.....	20
Table 9-3 Clock Characteristics.....	21
Table 9-4 Temperature Characteristics.....	21
Table 9-5 Leakage Current and Capacitance.....	21
Table 9-6 Power-On Reset.....	21
Table 11-1 Package Dimension.....	24
Table 12-1 Ordering Information.....	25
Table 12-2 Chip Marking Information.....	25

## 1.0 Features

- Full Compliant with USB Specification v2.0 (Full-Speed)
- [USB-IF Logo Compliant with TID 40001308](#)
- UHCI/OHCI (USB1.1), EHCI (USB 2.0), xHCI (USB 3.0) Host Controller Compatible
- On Chip USB 1.1 Transceiver, 5V→3.3V regulator, and 12 MHz crystal oscillator
- Single Chip USB to RS232 Serial UART Interface:
  - Full-duplex transmitter and receiver (TXD and RXD)
  - Six MODEM control pins (RTS, CTS, DTR, DSR, DCD, and RI)
  - 5, 6, 7 or 8 data bits
  - Odd, Even, Mark, Space, or None parity mode
  - One, one and a half, or two stop bits
  - Parity error, frame error, and serial break detection
  - Programmable baud rate from 75 bps to 12 Mbps
  - External RS232 driver power down control
  - Independent power source for serial interface
  - Works with existing PC COM Port software applications
- Supports RS422/RS485 serial interface (TXD, DTR\_N, and RTS\_N pins should be externally pulled-up to 5V when 5V interface is applied).
- Extensive Flow Control Mechanism:
  - Adjustable high/low watermark level
  - Automatic hardware flow control with CTS/RTS
  - Automatic software flow control with XON/XOFF
  - Inbound data buffer overflow detection
- Configurable 512-byte bi-directional data buffer:
  - 256-byte outbound buffer and 256-byte inbound buffer; or
  - 128-byte outbound buffer and 384-byte inbound buffer
- Optional external serial EEPROM for startup device configurations
- Supports Remote Wake-up from RS232 input pin signals (RI\_N, RXD, DSR\_N, DCD\_N, CTS\_N) and configurable using external EEPROM. Default pin is RI\_N.
- Supports Twelve (12) General Purpose I/O (GPIO) pins configuration:
  - Four (4) General Purpose I/O (GP0, GP1, PI\_0, & PI\_1) standard pins
  - Eight (8) Auxiliary General Purpose I/O (RI\_N, DCD\_N, DSR\_N, CTS\_N, DTR\_N, RTS\_N, RXD, & TXD) pins.
  - Each GPIO pin has output enable value control and input value accessible by driver
- Supports 48/24/12/6/3/1.5 MHz clock output using GP0/GP1 pins
- Supports TXD-RXD Access LED display control using PI\_0/P1\_1 pins
- Supports USB Selective Suspend (Run-Time Power Management)

- Supports Pulse-Width Modulation (PWM) output on DTR\_N, DCD\_N, DSR\_N, & CTS\_N pins with frequency around 370Hz to 47KHz and duty cycle from 1/256 to 255/256.
- Supports Chip Suspend on Powered State (USB-IF Compliance Logo Test Requirement) with configured external EEPROM.
- Provides royalty-free Virtual COM Port (VCP) driver support for:
  - Windows 2000, XP, Vista, and 7 (Microsoft Certified Logo Drivers)
  - Windows Server 2003, 2008, 2008 R2
  - Windows 8
  - Windows XP Embedded (XPe), Point-of-Service (WEPOS), and POSReady
  - Mac OS 8/9, OS X
  - Linux/Android OS (kernel does not include PL2303TB driver)
  - Provides Driver Customization for:
    - Windows CE 4.2, 5.0, 6.0, and Windows Embedded Compact 7 (SDK)
    - Customer VID/PID and special baud rates
- Low Operating Power Consumption and Suspend Current
- -40°C to 85°C Operating Temperature
- Small footprint 28-pin SSOP IC package (RoHS compliant and Pb-free Green Compound)

## 1.1 Prolific USB to Serial Product Comparison

Prolific provides a series of related USB-to-Serial products to meet different design and requirements:

Part Number	Baud Rate	Crystal	RS232 Interface	Memory	GPIO	RS422/RS485	PWM	Multiple Clock Output	TX-RX Access LED
PL2303TA	6Mbps	12MHz	✓	24c02	2				
PL2303HXD	12Mbps	Internal	✓	OTP	8	✓			
PL2303TB	12Mbps	12MHz	✓	24c02	12	✓	✓	✓	✓

Check Prolific Sales for a more complete offering on USB to Serial bridge controllers.

## 1.2 Product Applications

- Applications include:
  - Single-chip upgrade solution for Legacy RS232 devices to USB interface
  - USB to RS232/RS422/RS485 converters/cables/dongles
  - Healthcare/Medical USB Interface Data Transfer Cable
  - Personal Infotainment/Media Player Docking USB Interface
  - Cellular/PDA USB Interface Data Transfer Cable
  - Serial-over-IP Wireless Solution
  - USB Barcode/Smart Card Readers
  - GPS/Navigation USB Interface
  - Point-of-Sale (POS) Terminals/Printers
  - PC Docking Station/Port Replicators
  - Industrial/Instrumentation/Automation Control USB Interface
  - USB Modem/Wireless/Zigbee USB Interface
  - Set-Top Box (STB) / Home Gateway USB Interface
  - Battery Charger Application
  - MCU-based devices to USB interface

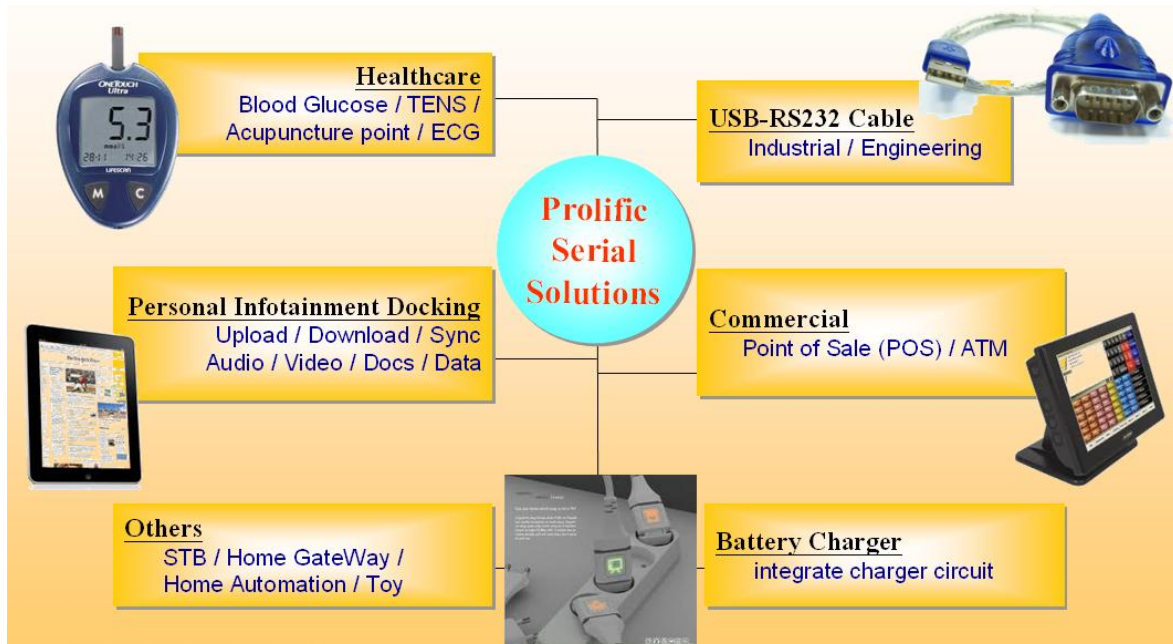
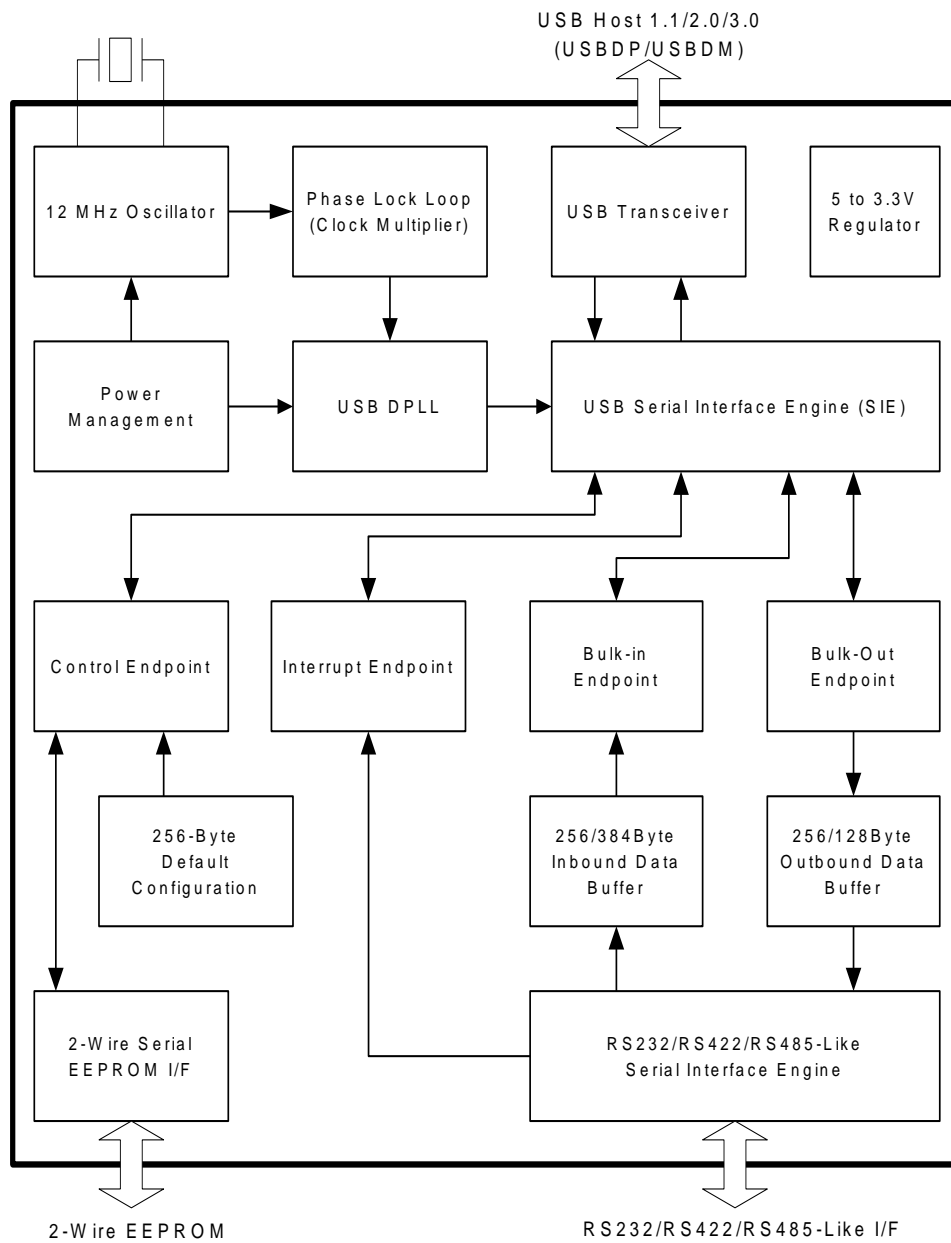


Figure 1-1 PL2303TB Product Application Areas



## 2.0 Functional Block Diagram



**Figure 2-1 Block Diagram of PL2303TB**

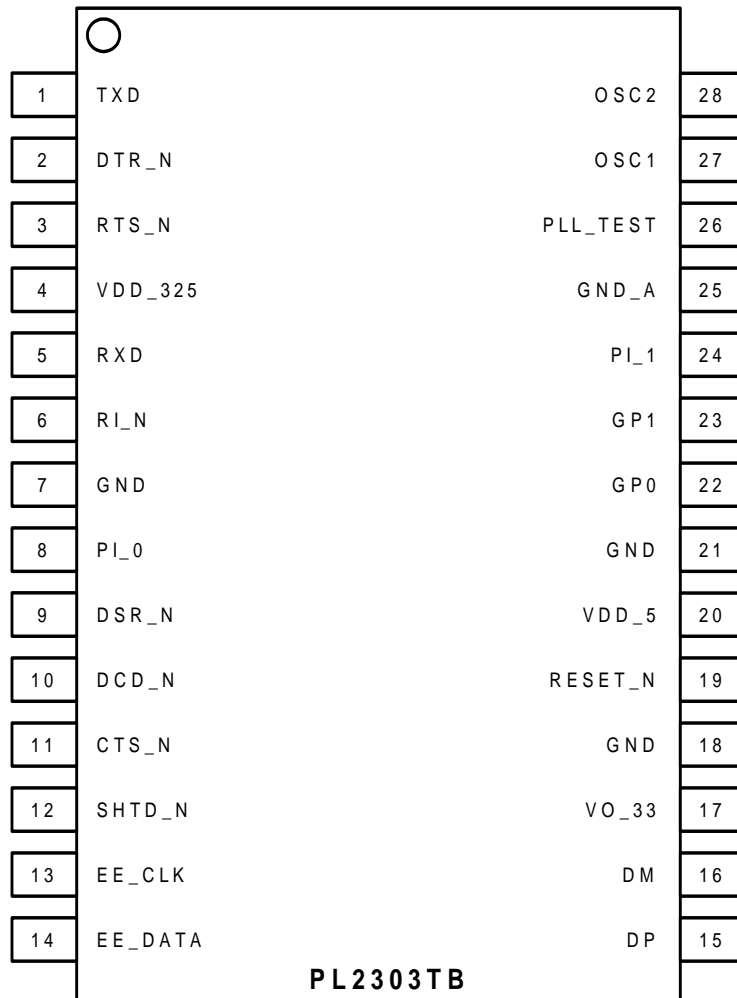
### 3.0 Introduction

PL2303TB provides a convenient solution for connecting an RS232-like full-duplex asynchronous serial device to any Universal Serial Bus (USB) capable host. PL2303TB highly compatible drivers could simulate the traditional COM port on most operating systems allowing the existing applications based on COM port to easily migrate and be made USB ready without having to rewrite the COM port software application.

By taking advantage of USB bulk transfer mode, large data buffers, and automatic flow control, PL2303TB is capable of achieving higher throughput compared to traditional UART (Universal Asynchronous Receiver Transmitter) ports. When real RS232 signaling is not required, baud rate higher than 115200 bps could be used for even higher performance. The flexible baud rate generator of PL2303TB could be programmed to generate any rate between 75 bps and 12M bps.

PL2303TB is exclusively designed for mobile and embedded solutions in mind, providing a small footprint that could easily fit in to any connectors and handheld devices. With very small power consumption in either operating or suspend mode, PL2303TB is perfect for bus powered operation with plenty of power left for the attached devices. Flexible signal level requirement on the RS232-like serial port side also allows PL2303TB to connect directly to any 3.3V~1.8V range devices.

## 4.0 Pin Assignment Outline



**Figure 4-1 Pin Assignment Outline of PL2303TB**

## 5.0 Pin Assignment & Description

Pin Type Abbreviation:

I: Input	O: Output	I/O: Bidirectional	P: Power/Ground
----------	-----------	--------------------	-----------------

**Table 5-1 Pin Assignment & Description**

Pin #	Name	Type	Description
1	TXD	I/O <sup>(1)</sup>	Serial port (Transmitted Data). This pin can also be configured a GPIO pin. Refer to GPIO Configuration Pin Section 6.0.
2	DTR_N	I/O <sup>(1)</sup>	Serial port (Data Terminal Ready). If TXD/RXD pins are not used as UART pins, this pin can also be configured as a GPIO pin; or PWM pin in EEPROM. Refer to GPIO Pin Configuration Section 6.0.
3	RTS_N	I/O <sup>(1)</sup>	Serial port (Request To Send). If TXD/RXD pins are not used as UART pins, this pin can also be configured as a GPIO pin. Refer to GPIO Pin Configuration Section 6.0.
4	VDD_325	P	RS232 VDD. The power pins for the serial port signals. When the serial port is 3.3V, this should be 3.3V. When the serial port is 2.5V, this should be 2.5V.
5	RXD	I/O <sup>(1)</sup>	Serial port (Received Data). This pin can also be configured a GPIO pin. Refer to GPIO Configuration Pin Section 6.0.
6	RI_N	I/O <sup>(1)</sup>	Serial port (Ring Indicator). For Remote Wakeup use. This pin can also be configured a GPIO pin. Refer to GPIO Configuration Pin Section 6.0.
7	GND	P	Ground
8	PI_0	I/O <sup>(1)</sup>	General Purpose I/O Pin. This pin can also be configured in EEPROM as a TXD and/or RXD Access LED drive (LED flashes while transmitting or receiving data via USB). Refer to GPIO Pin Configuration Section 6.0.
9	DSR_N	I/O <sup>(1)</sup>	Serial port (Data Set Ready). This pin can also be configured as a GPIO pin; or PWM pin in EEPROM. Refer to GPIO Pin Configuration Section 6.0.
10	DCD_N	I/O <sup>(1)</sup>	Serial port (Data Carrier Detect). This pin can also be configured in EEPROM as a GPIO pin; or PWM pin in EEPROM. Refer to GPIO Pin Configuration Section 6.0.
11	CTS_N	I/O <sup>(1)</sup>	Serial port (Clear To Send). This pin can also be configured in EEPROM as a GPIO pin; or PWM pin in EEPROM. Refer to GPIO Pin Configuration Section 6.0.
12	SHTD_N	O <sup>(2)</sup>	RS232 Transceiver Shut Down Control
13	EE_CLK	I/O <sup>(3)</sup>	2-Wire Serial EEPROM Clock
14	EE_DATA	I/O <sup>(3)</sup>	2-Wire Serial EEPROM Data

15	DP	I/O	USB port D+ signal
16	DM	I/O	USB port D- signal
17	VO_33	P	Regulator Power Output, 3.3V
18	GND	P	Ground
19	RESET_N	I <sup>(4)</sup>	External System Reset (Active Low)
20	VDD_5	P	USB port V <sub>BUS</sub> , 5V Power.
21	GND	P	Ground
22	GP0	I/O <sup>(5)</sup>	General Purpose I/O Pin. This pin can also be configured in EEPROM as Clock Output Select (48/24/12/6/3/1.5 MHz). Refer to GPIO Pin Configuration Section 6.0.
23	GP1	I/O <sup>(5)</sup>	General Purpose I/O Pin. This pin can also be configured in EEPROM as Clock Output Select (48/24/12/6/3/1.5 MHz). Refer to GPIO Pin Configuration Section 6.0.
24	PI_1	I/O <sup>(5)</sup>	General Purpose I/O Pin. This pin can also be configured in EEPROM as a TXD or RXD Access LED drive (LED flashes while transmitting or receiving data via USB). Refer to GPIO Pin Configuration Section 6.0.
25	GND_A	P	Analog Ground for PLL
26	PLL_TEST	I <sup>(4)</sup>	PLL test mode control
27	OSC1	I	Crystal oscillator input
28	OSC2	O	Crystal oscillator output

**Notes:**

- (1)– SCHMITT In/CMOS Out, 5V Tolerant, Bi-directional Pad. Level and Driving Capability decided by VDD\_325, 4mA Output Driving Capability
- (2)– CMOS Out, 3.3V, Output Pad, 4mA Output Driving Capability.
- (3)– SCHMITT In/CMOS Out, 5V Tolerant, Bi-directional Pad with internal resistor pulling-up to 3.3V, 4mA Output Driving Capability.
- (4)– LVTTTL In, 3.3V, Input Pad.
- (5)– SCHMITT In/CMOS Out, 5V Tolerant, Bi-directional Pad, 4mA Output Driving Capability.

## 6.0 GPIO Pin Configuration

The table below shows which PL2303TB pins can be configured as a General Purpose I/O (GPIO) pin. Using external EEPROM, some pins can also be configured as special function pins like clock output, access LED, and PWM output pin. All in all, PL2303TB can allow up to 12 GPIO pins to be configured.

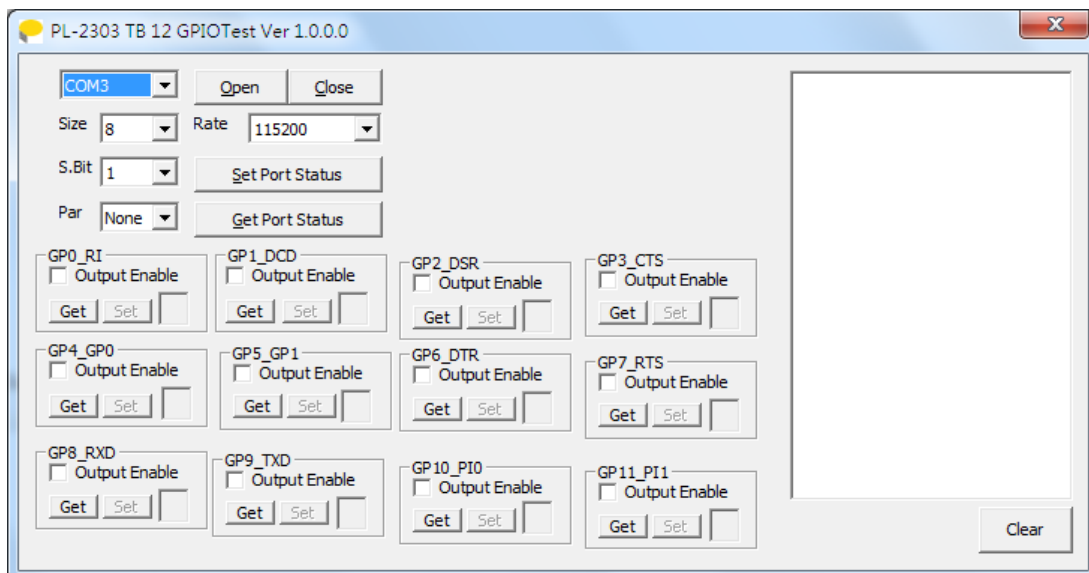
**Table 6-1 GPIO Pin Configuration Options**

Pin Name	Pin Number	General Purpose IO (GPIO)	Clock Output Select <sup>(1)</sup>	TXD/RXD Access LED <sup>(2)</sup>	PWM <sup>(3)</sup>
TXD	1	GPIO [9]			
DTR_N	2	GPIO [6] <sup>(4)</sup>			PWM_0 <sup>(4)</sup>
RTS_N	3	GPIO [7] <sup>(4)</sup>			
RXD	5	GPIO [8]			
RI_N	6	GPIO [0]			
DSR_N	9	GPIO [2]			PWM_2
DCD_N	10	GPIO [1]			PWM_1
CTS_N	11	GPIO [3]			PWM_3
GP0	22	GPIO [4]	Clock Out 0		
GP1	23	GPIO [5]	Clock Out 1		
PI_0	8	GPIO [10]		LED Out 0	
PI_1	24	GPIO [11]		LED Out 1	

**Notes:**

- (1) – Clock Output Select with choice of 48MHz, 24MHz, 12MHz, 6MHz, 3MHz, 1.5MHz clock output.
- (2) – TXD, RXD, or both TXD/RXD access LED control (LED flashes during USB transmit/receive data).
- (3) – Frequency range is from 366.3Hz to 46.5KHz, and pulse high duty range is from 1/256 to 255/256 in each frequency.
- (1)/(2)/(3) – These options needs EEPROM to be configured using PL2303TB EEPROM Writer program. See next section.
- (4) – **If TXD and RXD pins are used as UART pins, DTR\_N and RTS\_N pins cannot be used as GPIO or PWN pins.**

Prolific provides a sample GPIO Test program (Figure 6-1) and program source code for customers to write their own GPIO application. Please contact Prolific FAE or Sales for support.



**Figure 6-1 PL2303TB GPIO Test Program**

## 7.0 EEPROM Configuration

The PL2303TB default configuration descriptors are stored in the chip internally which are loaded during power-on reset or USB bus reset when there is no external EEPROM detected or external EEPROM is empty. Some of the descriptors like USB Vendor ID (VID), Product ID (PID), serial number, and other configuration descriptors could be modified using Prolific EEPROM Writer program, and programmed/stored to an external 2-wire serial EEPROM (24C02). The PL2303TB EEPROM Writer also provides the programming controls for setting RS485 function support, Clock Output (for GP0 and GP1 pins), TXD/RXD Access LED (for PI\_0, PI\_1 pins), and PWM (using DTR\_N, DCD\_N, DSR\_N, and CTS\_N pins). When detected, the configuration descriptors stored on the EEPROM will be loaded instead of the default values stored on the chip internally.

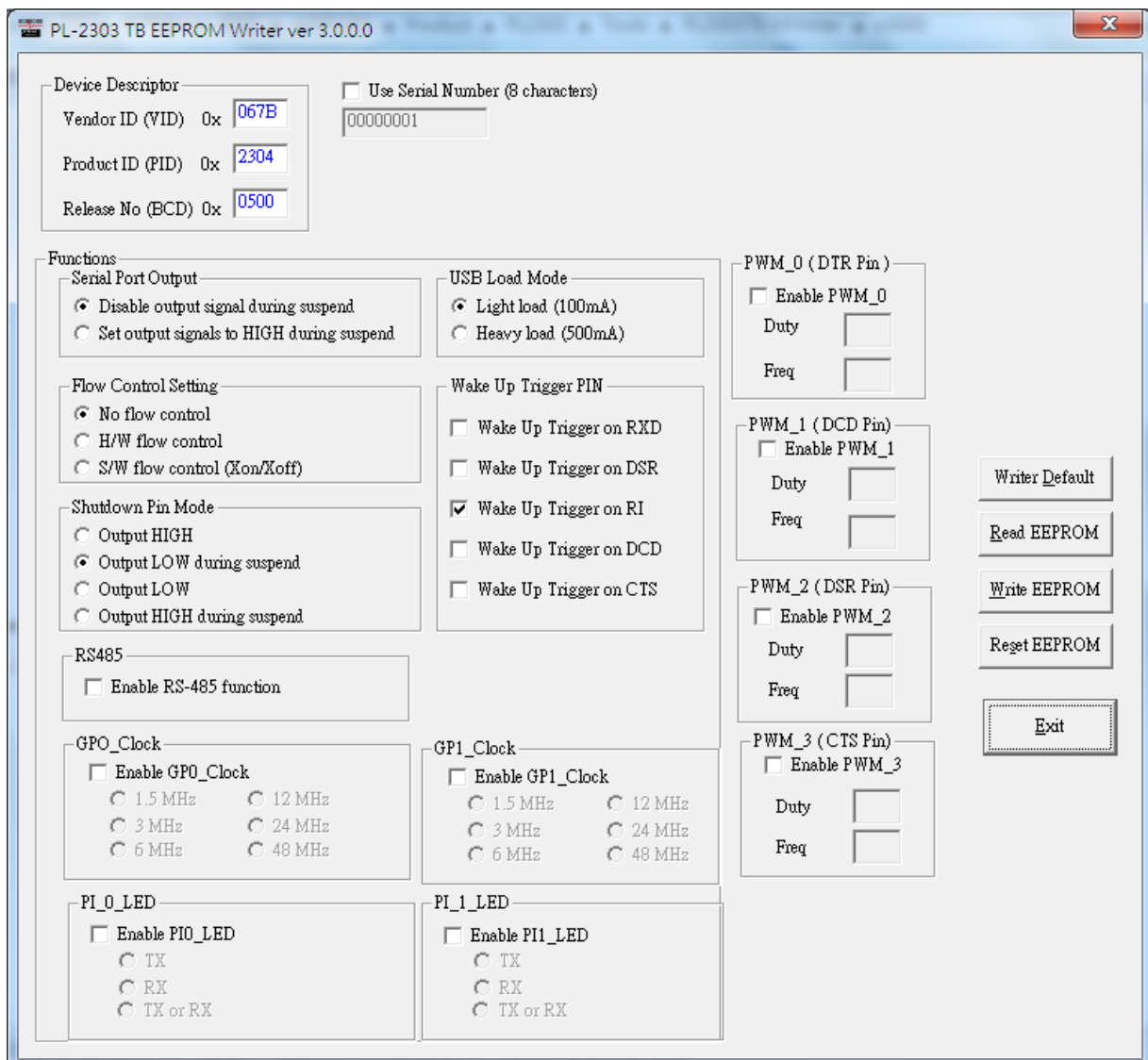


Figure 7-1 PL2303TB EEPROM Writer Program

**Table 7-1 EEPROM Configuration Options**

Device Descriptor	Default Value	Description
Vendor ID (VID)	067B (hex)	USB unique Vendor ID of Company or Manufacturer. This ID is applied and registered from USB-IF.  Refer to this website for applying VID: <a href="http://www.usb.org/developers/vendor/">http://www.usb.org/developers/vendor/</a>
Product ID (PID)	2304 (hex)	USB Product ID assigned by Company or Manufacturer.
Rel. No. (BCD)	0500	This field reports the release number of the USB device. This item is fixed and cannot be modified.
Serial No. (8 hex characters)	Disabled	This field sets the product USB serial number. Entering a unique serial number allows the device to be assigned the same COM Port number even when plug to other USB ports of the same PC.
Serial Port Output	Disable	This option allows setting the serial port output pin signals (TXD, RTS, DTR) to HIGH during suspend mode.
USB Load Mode	Light Load (100mA)	This option sets the USB device maximum power if 100mA (low-power) or 500mA (high power).
Flow Control Setting	No Flow Control	This option allows to set the flow control initial setting to none, H/W, or S/W control.  Note: H/W and S/W flow control can also be set and configured on customer/user serial communication software.
Wakeup Trigger Pin	Wakeup trigger on RI	This option allows setting the trigger pin for remote wakeup function. When in suspend mode, changes on the enabled serial port input signals could trigger a wakeup event.
Shutdown Pin Mode	Output LOW during suspend	This option allows setting the Shutdown pin (Pin 12) mode to Output HIGH or LOW on normal mode or Suspend mode.
RS485	Disable	Enable this option for RS-485 application.
GPO_Clock	Disable	This option allows configuring the GPO pin as a Clock Output enable pin with choice of 1.5/3/6/12/24/48MHz frequency.
GP1_Clock	Disable	This option allows configuring the GP1 pin as a Clock Output enable pin with choice of 1.5/3/6/12/24/48MHz frequency.



PI0_LED	Disable	This option allows configuring and enabling the PI_0 pin as Access LED for active TXD, RXD, or both. LED connected to this pin will flash (period is 0.3s) during USB transmission.
PI1_LED	Disable	This option allows configuring and enabling the PI_1 pin as Access LED for active TXD, RXD, or both. LED connected to this pin will flash (period is 0.3s) during USB transmission.
PWM_0 (DTR_N)	Disable	This option allows configuring the DTR_N pin as PWM control output pin. Frequency range is from 366.3Hz to 46.5KHz, and pulse high duty range is from 1/256 to 255/256 in each frequency. <b>Note: This option is only allowed if TXD/RXD pins are not used as UART pins.</b>
PWM_1 (DCD_N)	Disable	This option allows configuring the DCD_N pin as PWM control output pin. Frequency range is from 366.3Hz to 46.5KHz, and pulse high duty range is from 1/256 to 255/256 in each frequency.
PWM_2 (DSR_N)	Disable	This option allows configuring the DSR_N pin as PWM control output pin. Frequency range is from 366.3Hz to 46.5KHz, and pulse high duty range is from 1/256 to 255/256 in each frequency.
PWM_3 (CTS_N)	Disable	This option allows configuring the CTS_N pin as PWM control output pin. Frequency range is from 366.3Hz to 46.5KHz, and pulse high duty range is from 1/256 to 255/256 in each frequency.

## 8.0 Data Formats & Programmable Baud Rate Generator

The PL2303TB supports versatile data formats and has a programmable baud rate generator. The supported data formats are shown on Table 8-1. The programmable baud rate generator supports baud rates up to 12Mbps. Windows driver already supports several baud rate settings shown in Table 8-2.

**Table 8-1 Supported Data Formats**

	Description
Stop bits	1 1.5 2
Parity type	None Odd Even Mark Space
Data bits	5, 6, 7, 8

**Table 8-2 Baud Rate Settings (Supported by Standard Driver)**

Baud Rates (bps)	Baud Rates (bps)	Baud Rates (bps)	Baud Rates (bps)	Baud Rates (bps)
12000000				
6000000	460800	134400	19200	1800
3000000	403200	128000	14400	1200
2457600	268800	115200	9600	600
1228800	256000	57600	7200	300
921600	230400	56000	4800	150
806400	201600	38400	3600	110
614400	161280	28800	2400	75

**Note:** For other special baud rate requirements, please contact Prolific FAE for driver customization support. The baud rates listed on the above table are already supported by the standard driver and only needs to be set by the COM port configuration of the application software on the PC.

## 9.0 DC & Temperature Characteristics

### 9.1 Absolute Maximum Ratings

Table 9-1 Absolute Maximum Ratings

Items	Ratings
Power Supply Voltage	-0.3 to 5.5 V
Input Voltage of 3.3V I/O	-0.3 to VO_33 + 0.3 V
Input Voltage of 3.3V I/O with 5V Tolerance I/O	-0.3 to VDD_5 + 0.3V
Output Voltage of 3.3V I/O	-0.3 to VO_33 + 0.3 V
Storage Temperature	-40 to 150 °C

### 9.2 DC Characteristics

Table 9-2 Operating Voltage and Suspend Current

Parameter	Symbol	Min	Typ	Max	Unit
Operating Voltage Range	VDD_5	3.6	5	5.5	V
Regulator Output Driving Current (VDD_5 = 5V)	I <sub>LOAD</sub>	-	-	150	mA
Operating Current <sup>(1)</sup> (Power Consumption)	I <sub>DD</sub>	-	8	10	mA
Suspend Current	I <sub>SUS</sub>	-	370	400	μA

Note: (1) – No device connected.

#### 9.2.1 3.3V I/O Pins

Table 9-2-1 3.3V I/O Pins

Parameter	Symbol	Min	Typ	Max	Unit
Output Driving Capability	I <sub>DD</sub>	--	4	--	mA
Output Voltage of Regulator	VO_33	3.0	3.3	3.6	V
Input Voltage (CMOS)					
Low	V <sub>IL</sub>	--	--	0.3* VO_33	V
High	V <sub>IH</sub>	0.7* VO_33	--	--	V
Input Voltage (LVTTL)					
Low	V <sub>IL</sub>	--	--	0.8	V
High	V <sub>IH</sub>	2.0	--	--	V
Schmitt Trigger Threshold Voltage					
Negative going	V <sub>T-</sub>	0.9	1.2	--	V
Positive going	V <sub>T+</sub>	--	2.1	2.5	V
Output Voltage, 3.3V					
Low	V <sub>OL</sub>	--	--	0.4	V
High	V <sub>OH</sub>	2.4	--	--	V

## 9.2.2 Serial I/O Pins

**Table 9-2-2a VDD\_325@3.3V Serial I/O Pins**

Parameter	Symbol	Min	Typ	Max	Unit
Output Driving Capability	$I_{DD}$	--	4	--	mA
Power Supply for Serial I/O Pins	VDD_325	3.0	3.3	3.6	V
Input Voltage					
Low	$V_{IL}$	--	--	0.8	V
High	$V_{IH}$	2.0	--	--	V
Schmitt Trigger Threshold Voltage					
Negative going	$V_{t-}$	0.8	1.1	--	V
Positive going	$V_{t+}$	--	1.6	2.0	V
Output Voltage					
Low	$V_{OL}$	--	--	0.4	V
High	$V_{OH}$	2.4	--	--	V

**Table 9-2-2b VDD\_325@2.5V Serial I/O Pins**

Parameter	Symbol	Min	Typ	Max	Unit
Output Driving Capability	$I_{DD}$	--	2.6	--	mA
Power Supply for Serial I/O Pins	VDD_325	2.25	2.5	2.75	V
Input Voltage					
Low	$V_{IL}$	--	--	0.25* VDD_325	V
High	$V_{IH}$	0.7* VDD_325	--	--	V
Schmitt Trigger Threshold Voltage					
Negative going	$V_{t-}$	0.25* VDD_325	0.84	--	V
Positive going	$V_{t+}$	--	1.31	0.7* VDD_325	V
Output Voltage					
Low	$V_{OL}$	--	--	0.4	V
High	$V_{OH}$	1.85	--	--	V

**Table 9-2-2c VDD\_325@1.8V Serial I/O Pins**

Parameter	Symbol	Min	Typ	Max	Unit
Output Driving Capability	$I_{DD}$	--	1.4	--	mA
Power Supply for Serial I/O Pins	VDD_325	1.65	1.8	1.95	V
Input Voltage					
Low	$V_{IL}$	--	--	0.25* VDD_325	V
High	$V_{IH}$	0.7* VDD_325	--	--	V
Schmitt Trigger Threshold Voltage					
Negative going	$V_{t-}$	0.25* VDD_325	0.6	--	V
Positive going	$V_{t+}$	--	1.04	0.7* VDD_325	V
Output Voltage					
Low	$V_{OL}$	--	--	0.4	V
High	$V_{OH}$	1.25	--	--	V

### 9.3 Clock Characteristics

Table 9-3 Clock Characteristics

Parameter	Min	Typ	Max	Units
Frequency of Operation	11.976	12.000	12.024	MHz
Clock Period	83.1	83.3	83.5	ns
Duty Cycle	45	50	55	%

### 9.4 Temperature Characteristics

Table 9-4 Temperature Characteristics

Parameter	Symbol	Min	Typ	Max	Unit
Operating Temperature	--	-40	--	85	°C
Junction Operation Temperature	T <sub>J</sub>	-40	25	125	°C

### 9.5 Leakage Current and Capacitance

Table 9-5 Leakage Current and Capacitance

Parameter	Symbol	Min	Typ	Max	Unit
Input Leakage Current <sup>*1</sup>	I <sub>L</sub>	-10	±1	10	μA
Tri-state Leakage Current	I <sub>oz</sub>	-10	±1	10	μA
Input Capacitance	C <sub>IN</sub>	--	2.8	--	pF
Output Capacitance	C <sub>OUT</sub>	2.7	--	4.9	pF
Bi-directional Buffer Capacitance	C <sub>BID</sub>	2.7	--	4.9	pF

Note: \*1. No pull-up or pull-down resistor.

### 9.6 Power-On Reset

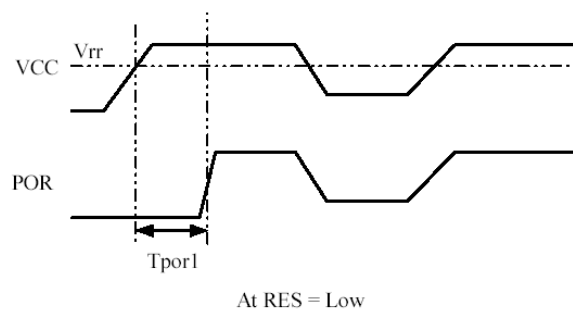


Figure 9-1 Power-On Reset Diagram

Table 9-6 Power-On Reset

Description and Condition	Symbol	Min	Typ	Max	Unit
Power supply voltage	VCC	2.8	3.3	4.0	V
VCC rise relax voltage	V <sub>rr</sub>	1.8	2.3	2.8	V
Power output low duration VCC   <sub>rise</sub> @ V <sub>rr</sub> to POR   <sub>rise</sub> @ 1/2*VCC (VCC slew rate = 1V/1us)	T <sub>por1</sub>	1.3	5	264	μS

## 10.0 Special GPIO Application Reference Schematic

Figure 10-1 and 10-2 shows the reference schematic for PL2303TB special GPIO application:

- Clock Output (48/24/12/6/3/1.5 MHz) using GP0/GP1 pins
- TXD-RXD Access LED display control using PL\_0/P1\_1 pins
- Pulse-Width Modulation (PWM) output on DTR\_N, DCD\_N, DSR\_N, & CTS\_N pins with frequency around 370Hz to 47KHz and duty cycle from 1/256 to 255/256.

Contact Prolific FAE for more PCB design support.

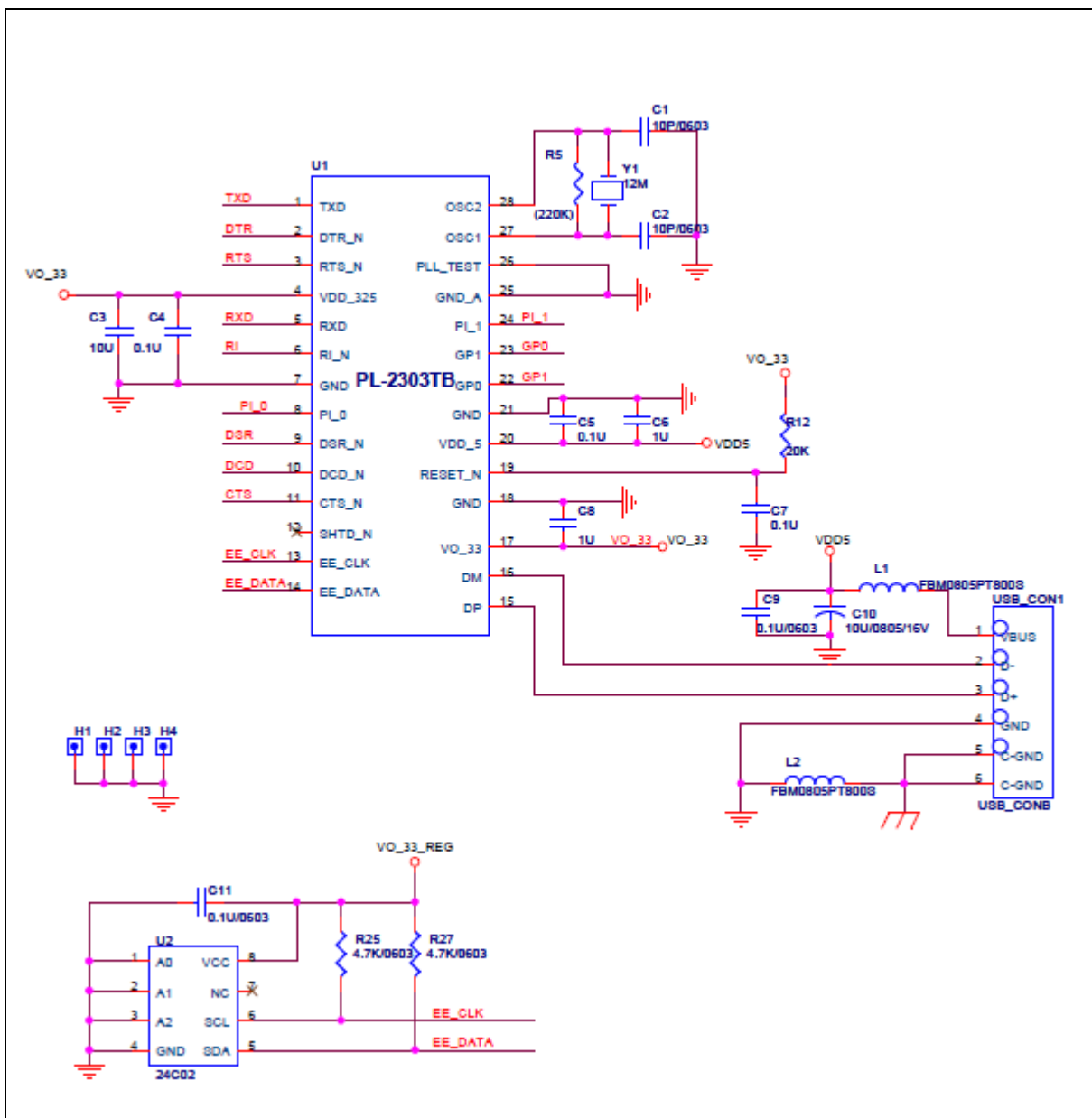


Figure 10-1 PL2303TB Reference Schematic

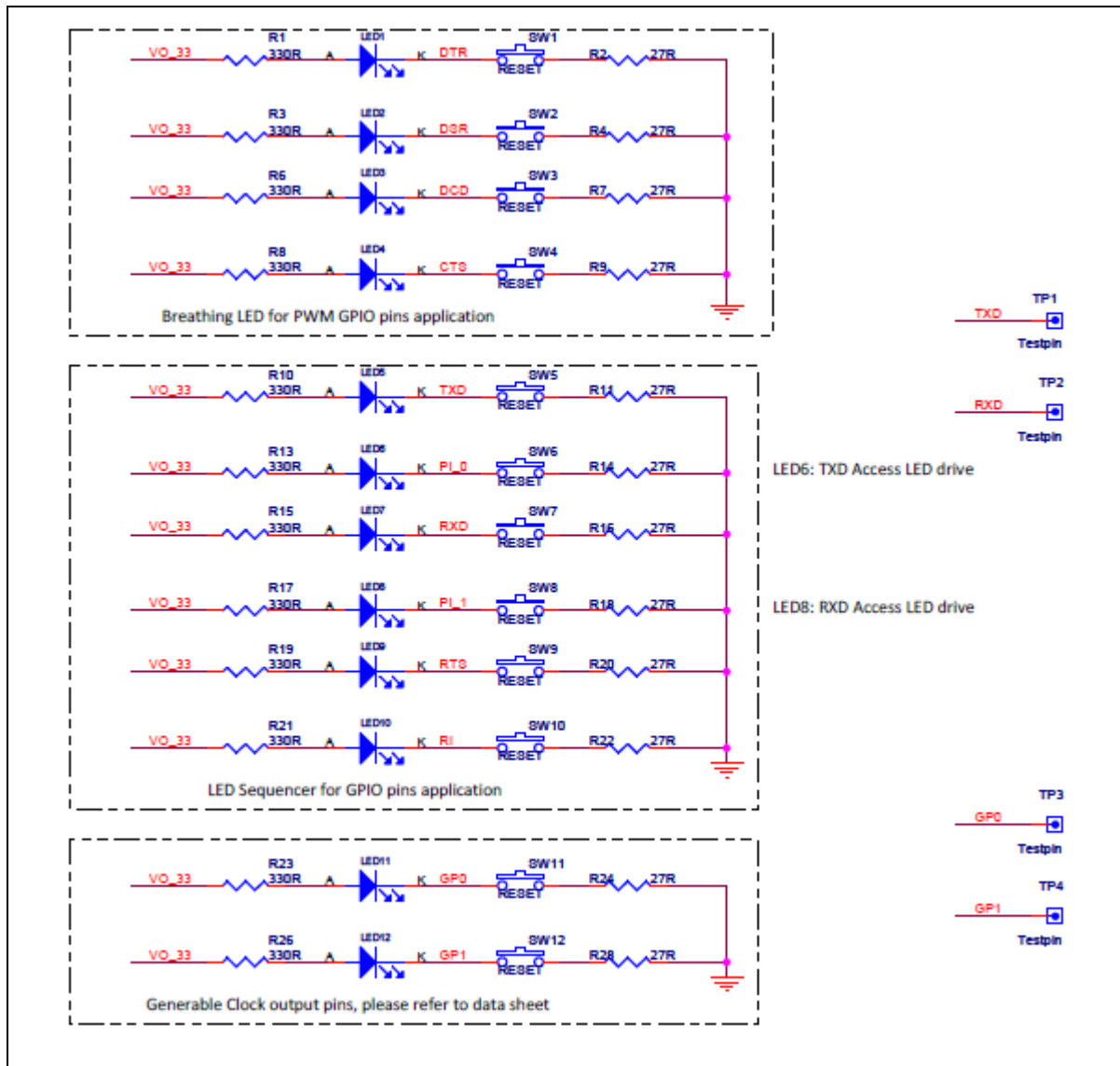


Figure 10-2 PL2303TB Special GPIO Reference Schematic

## 11.0 Outline Diagram

### 11.1 SSOP28 Package

Table 11-1 Package Dimension

Symbol	Millimeter			Inch		
	Min	Nom	Max	Min	Nom	Max
b	0.22		0.38	0.009		0.015
E	7.40	7.80	8.20	0.291	0.307	0.323
E1	5.00	5.30	5.60	0.197	0.209	0.220
L	0.55	0.75	0.95	0.021	0.030	0.037
R1	0.09			0.004		
D	9.9	10.2	10.5	0.390	0.402	0.413
A			2.0			0.079
e		0.65			0.0256	
L1		1.25			0.050	
A1	0.05			0.020		
A2	1.65	1.75	1.85	0.065	0.069	0.073

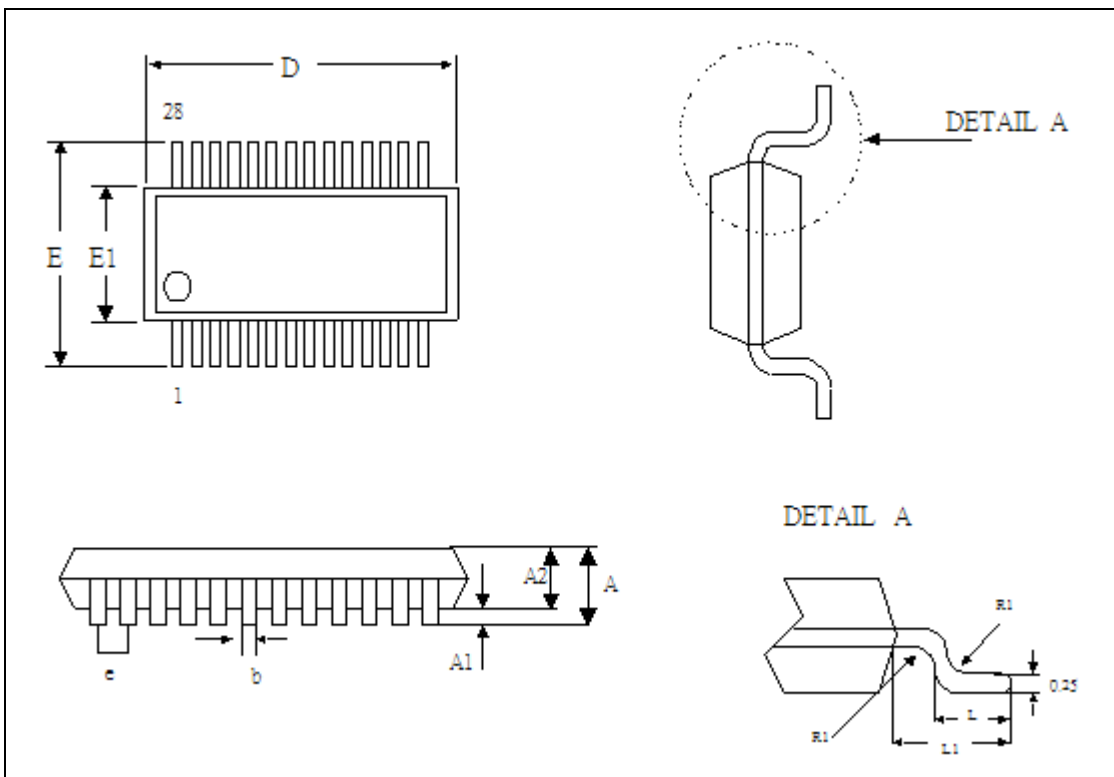


Figure 11-1 Outline Diagram of PL2303TB SSOP28



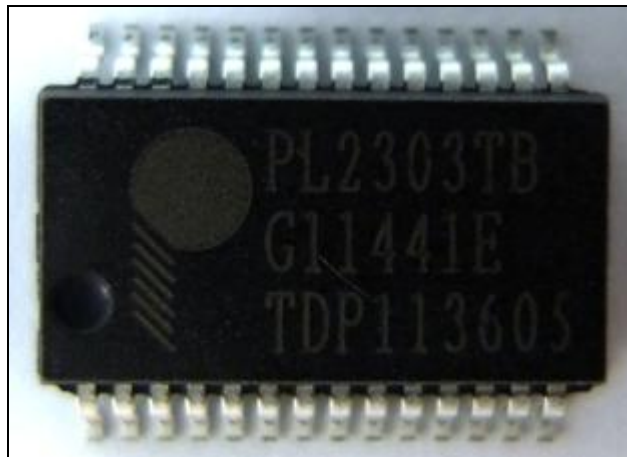
## 12.0 Ordering and Chip Marking Information

This section provides the chip ordering part number information and the chip marking information.

**Table 12-1 Ordering Information**

Part Number	Package Type
PL-2303TB LF	28-pin SSOP Lead Free

NOTE: Above part number is for ordering information use only. This is different from chip product name and chip marking.



**Figure 12-1 Chip Part Number Information**

**Table 12-2 Chip Marking Information**

Line	Marking	Description
First Line	PL2303TB	Chip Product Name
Second Line (GYWWXX)	G	Green compound packing material (Pb-free)
	YY	Last two digits of the manufacturing year
	WW	Week number of the manufacturing year
	XX	Chip Version (1E)
Third Line	TXXXXXXXX	Manufacturing LOT code

Example: "G11441E" – means Green packing + Year 2011 + Week no. 44 + 1E chip version.

## 13.0 Contact Information

### Taiwan Headquarter

7F, No.48, Sec. 3, Nan Kang Rd.,  
Nan Kang, Taipei, Taiwan 115, R.O.C.  
Tel: +886-2-2654-6363 Fax: +886-2-2654-6161  
Website: [www.prolific.com.tw](http://www.prolific.com.tw)  
E-mail: [sales@prolific.com.tw](mailto:sales@prolific.com.tw)

### Shenzhen Office

Room 1908, Building, No.A. jiahehuaqiang Building,  
Shennanzhong Rd. Futian District, Shenzhen, China  
Tel: +86-1350-285-4191  
E-mail: [alexyang@prolific.com.tw](mailto:alexyang@prolific.com.tw)

Distributors Contact: <http://www.prolific.com.tw/eng/contact-distributors.asp>

### Taiwan Distributors

#### **Maxtek Technology Co., Ltd.**

5F, No. 13-20, Sec. 6, Ming-Chuang E.RD., Nei-Hu, Taipei, Taiwan, R.O.C.  
Tel: +886-2-2794-6060 Ext.662  
Fax: +886-2-8792-8921  
Website: <http://www.maxtek-icrep.com.tw>  
E-mail: [sales@maxtek.icrep.com.tw](mailto:sales@maxtek.icrep.com.tw)

#### **Morrihan International Corp.**

4F, No. 3-2, YuanCyu Street, NanKang District , Taipei 115, Taiwan, R.O.C.  
Tel: +886-2-2788-5511  
Fax: +886-2-2788-9366  
Website: <http://www.morrihan.com>

#### **U-CHEER Company Co., Ltd.**

4F, No. 48, Chow-Tze ST., Nei-Hu, Taipei, Taiwan, R.O.C.  
Tel: +886-2-8797-6789  
Fax: +886-2-8797-3388  
E-mail: [arthur.lu36@ucbeer.com.tw](mailto:arthur.lu36@ucbeer.com.tw)

### USA and Canada

#### **ProlificUSA.com / Tectona Electronics Inc.**

250 Wyecroft Road, Unit 6, Oakville, Ontario, Canada L6K 3T7  
Tel: +905-827-2206  
Fax: +905-847-9412  
Corporate Website: <http://www.tectona.com>  
Product Website: <http://www.prolificUSA.com>

### Japan

#### **Hitachi High-Tech Trading Corporation**

1-24-14, Nishi-Shimbashi, Minato-ku, Tokyo, 105-8418 Japan  
Dept.: Electronic Devices 4th Dept., Electronic Devices Sales Div  
Tel: +81-3-3504-3859  
Fax: +81-3-3504-7903  
Website: <http://www.hitachi-hitec-trading.com>

---

## China

### **Lacewood International Corp.**

Hong Kong Office

Unit B1-B3, 21/F, Block B, Kong Nam Industrial Building, 603-609 Castle peak Road,  
Tsuen Wan N.T, Hong Kong  
Tel: +852-2690-9898  
Fax: +852-2690-9300

Shenzhen Office

Room401-3,East, CEC Information Building, No.1 Xin Wen Road, Shenzhen, P.R.C.,  
518034  
Tel:+86-755-8296-7018  
Fax: +86-775-8330-7119

Shanghai Office

Rm 208,District B, Building 3,NO.7,Guiqin Rd, Xuhui Area, Shanghai  
Tel : +86-21-5426-2182 ~6  
Fax: +86-21-5426-2180

### **China Fremlink Asia Limited**

Room 307, 3F Block6, AnHua Industrial Zone, Tairan 8th Road,  
CheGongMiao, Futian District, Shenzhen, China  
Tel: +86-755-8302-0469

### **China Shenzhen Shiqixinji Science and Technology Co., Ltd.**

Room 1908, Building NO.A, Jiahehuaqiang Building,  
Shennanzhong Rd., Futian District, Shenzhen, China  
Tel: +86-755-8329-5310

## Korea

### **Nevora Technology**

Rm 502, Citylife, 441, Amsa-Dong, Kangdong-Gu, Seoul, 134-855, Korea  
Tel: +82-2-3426-0050  
Fax: +82-2-3426-0070  
Website: <http://www.nevora.co.kr>

### **T&C Semitech Co.,LTD**

#703 J-dong, Gongku-sangga, 636-62, Kuro-dong, Kuro-ku, Seoul. Korea  
Tel: +82-2-2672-9531  
Fax: +82-2-2672-9532  
Website: <http://www.tncsemi.co.kr>